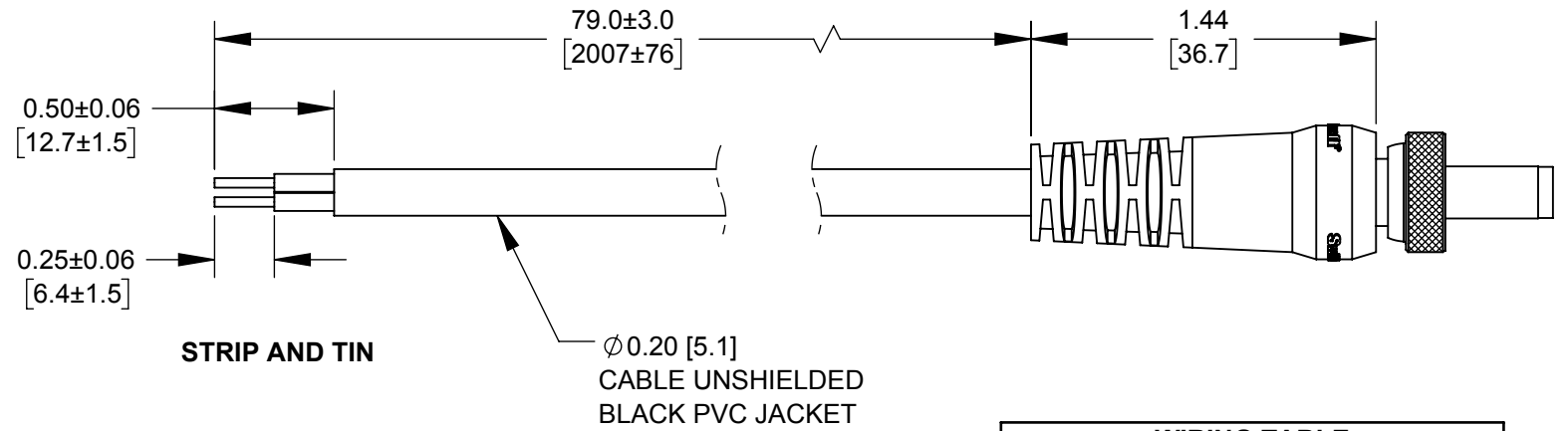
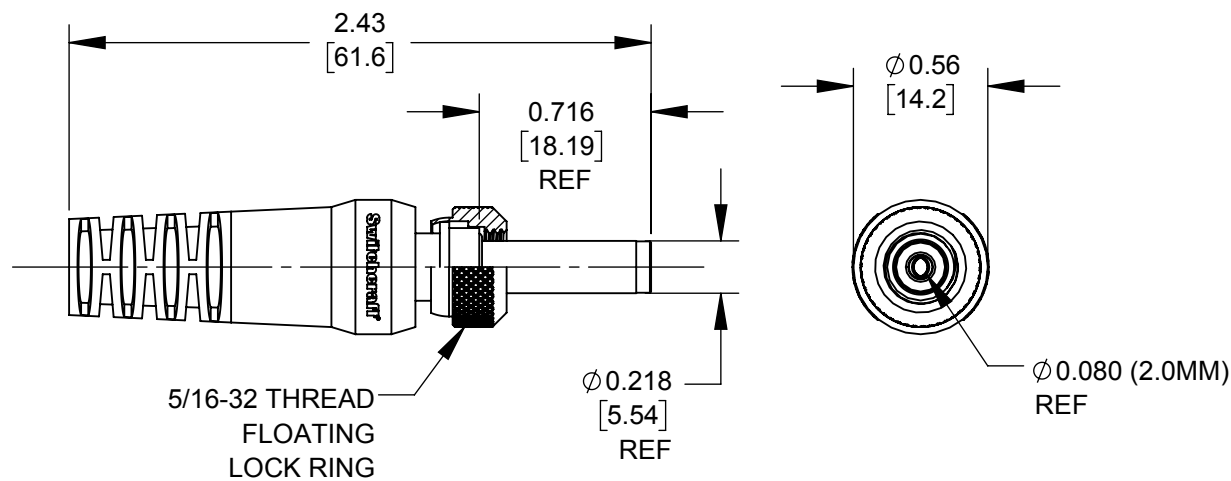


761KS, 767KS, AND S761KS SERIES SEALED PLUGS

761KS - ϕ 0.100 (2.5MM) REF
 767KS - ϕ 0.084 (2.1MM) REF
 S761KS - ϕ 0.080 (2.0MM) REF

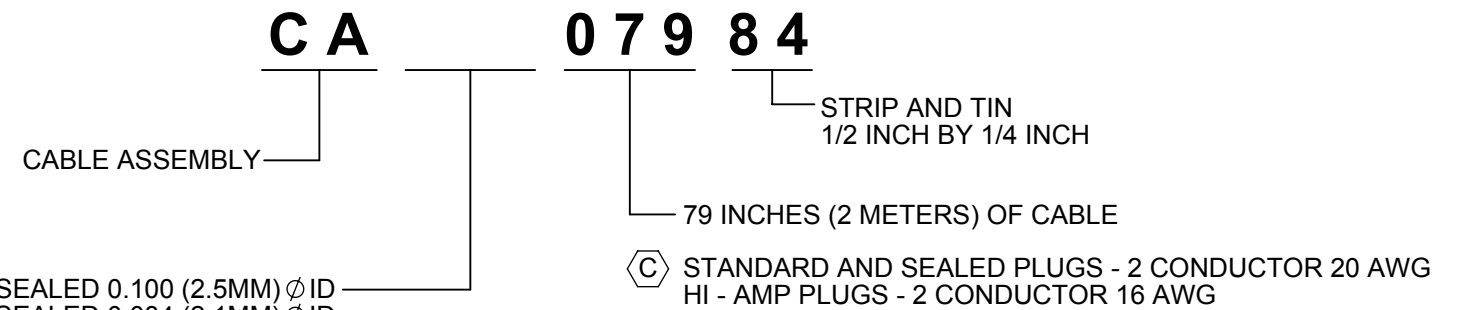


| WIRING TABLE | |
|--------------|------------|
| POWER PLUG | WIRE COLOR |
| TIP | RED |
| SLEEVE | BLACK |

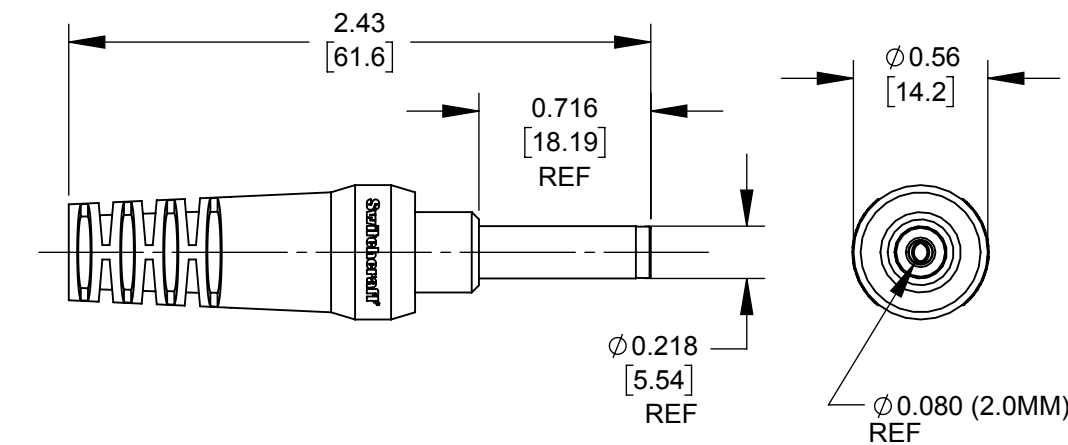


S10KS SERIES SEALED HI-AMP PLUG

ϕ 0.080 (2.0MM) REF



- 761KS** - SEALED 0.100 (2.5MM) ϕ ID
- 767KS** - SEALED 0.084 (2.1MM) ϕ ID
- S761KS** - SEALED 0.080 (2.0MM) ϕ ID
- S10KS** - HI AMP - SEALED 0.080(2.0MM) ϕ ID
- S10** - HI AMP NON-SEALED - 0.080(2.0MM) ϕ ID NON-LOCKING
- 760** - DC POWER PLUG 0.100 (2.5MM) ϕ ID NON-LOCKING
- 762** - DC POWER PLUG 0.084 (2.1MM) ϕ ID NON-LOCKING
- S760** - DC POWER PLUG 0.080 (2.0MM) ϕ ID NON-LOCKING
- 760K** - DC POWER PLUG 0.100 (2.5MM) ϕ ID LOCKING
- 761K** - DC POWER PLUG 0.100 (2.5MM) ϕ ID LOCKING
- 762K** - DC POWER PLUG 0.084 (2.1MM) ϕ ID LOCKING
- 767K** - DC POWER PLUG 0.084 (2.1MM) ϕ ID LOCKING
- S760K** - DC POWER PLUG 0.080 (2.0MM) ϕ ID LOCKING
- S761K** - DC POWER PLUG 0.080 (2.0MM) ϕ ID LOCKING



S10 SERIES NON-SEALED NON-LOCKING HI-AMP PLUG

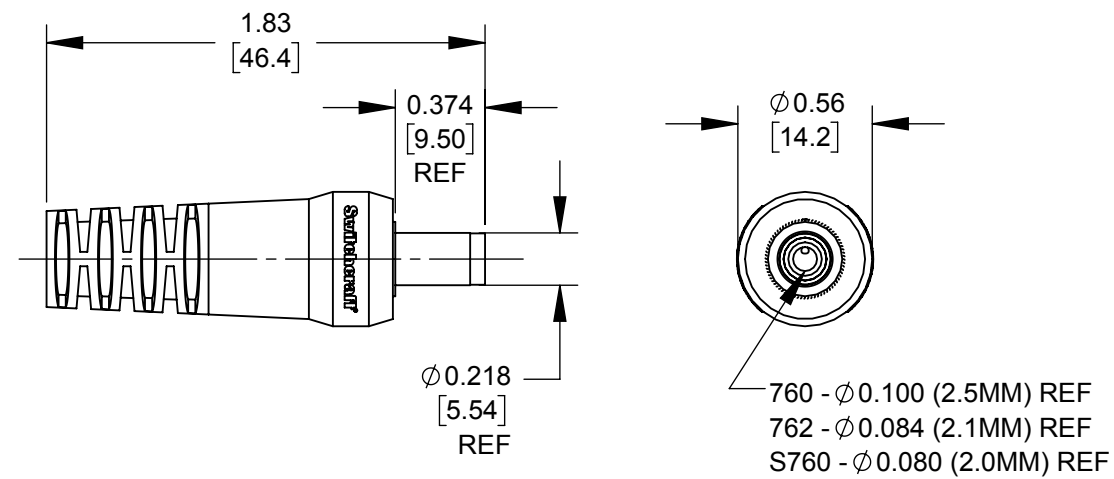
| REV | ECO NUMBER | DATE | BY | APVD |
|-----|------------|----------|-----|------|
| C | 27930 | 08-17-17 | PC | TJK |
| B | 27615 | 11-30-15 | TO | TJK |
| A | 27477 | 4/2/15 | TJK | TJK |

UNLESS OTHERWISE SPECIFIED
 1. ALL DIMENSIONS IN INCHES [mm]
 - TWO PLACE DECIMALS \pm 0.02 [0.5]
 - THREE PLACE DECIMALS \pm 0.005 [0.13]

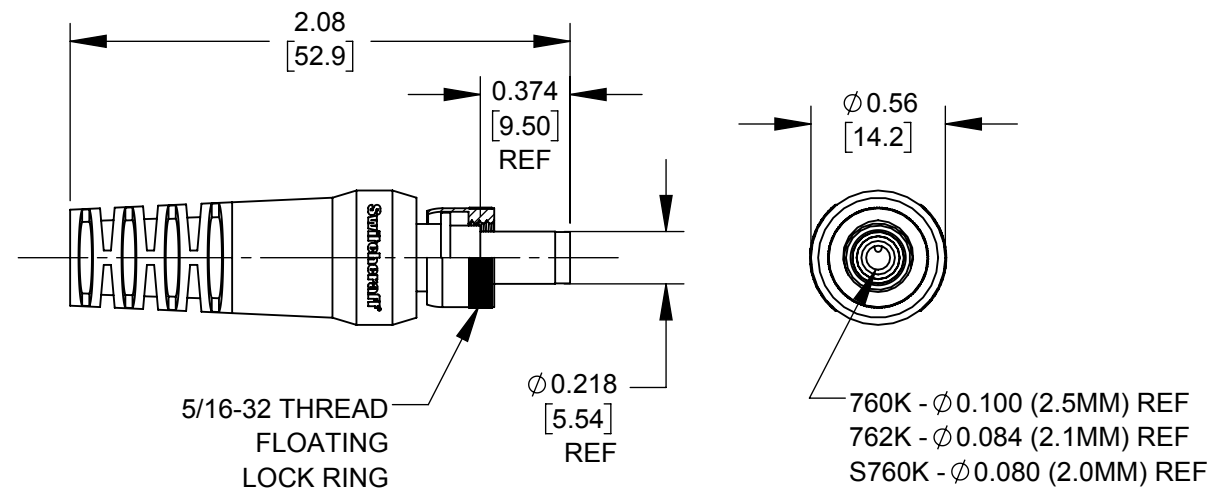
DO NOT SCALE DRAWING

| | | | | | |
|--|-------|------|-------------------|--------------------|--|
| THIS DRAWING DESCRIBES A DESIGN CONSIDERED PROPRIETARY IN NATURE, DEVELOPED AND MANUFACTURED BY SWITCHCRAFT INC. AND IS RELEASED ON A CONFIDENTIAL BASIS FOR IDENTIFICATION PURPOSES ONLY. | | | | | |
| SIZE | WIDTH | MULT | LBS/M | TEMPER | |
| FINISH SPEC No. | | | MATERIAL SPEC No. | | |
| FIRST USED ON | | | SCALE 1.25:1 | | |
| DATE DRAWN | BY | CHKD | APVD | Switchcraft® | |
| 3/19/15 | AB | AB | TJK | | |
| NAME CABLE ASSEMBLY - MOLDED STRAIGHT POWER PLUGS, RoHS | | | | PART No. CA__07984 | |
| SHEET 1 OF 2 | | | | REV C | |

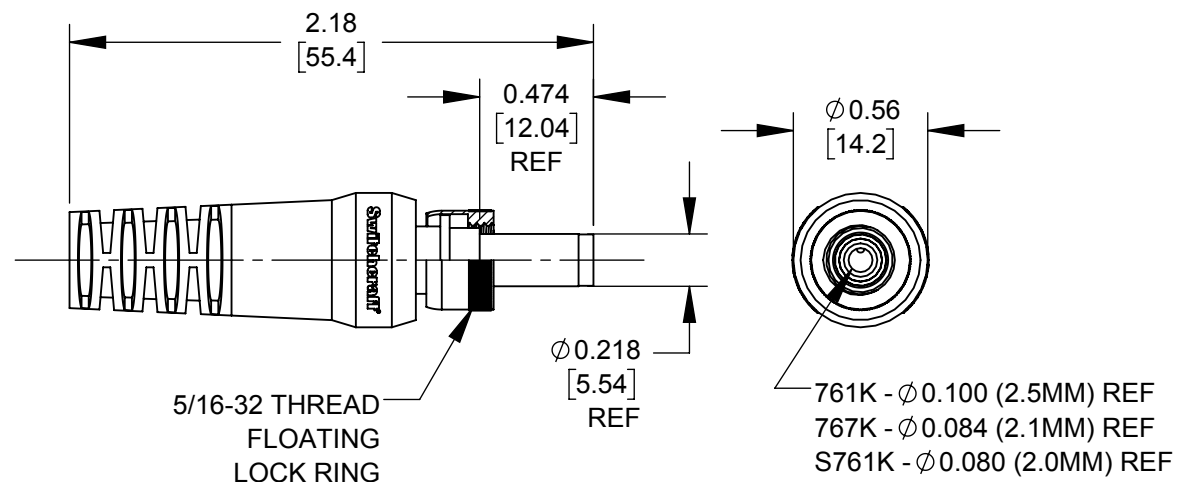
CUSTOMER DRAWING



**C 760, 762, AND S760 SERIES
NON-LOCKING POWER PLUGS**



**C 760K, 762K, AND S760K SERIES
LOCKING POWER PLUG**



**C 761K, 767K, AND S761K SERIES
LOCKING POWER PLUGS**

CUSTOMER DRAWING

| | | |
|------------------------|---------------------------------|----------|
| SCALE 1.25:1 | Switchcraft [®] | |
| DATE DRAWN 08/02/17 | | |
| DRAWN BY ALM | PART No. CA 07984 | REV C |