

PLEASE CHECK WWW.MOLEX.COM FOR LATEST PART INFORMATION

Part Number: **0473792000**
Status: **Active**
Description: 1.27mm (.050") Pitch External Improved Metal-Shielded Serial ATA Plug, Unmating Height 7.70mm (.303"), 0.76µm (30µ") Gold (Au) Plating, Top Surface Mount with Shell, Right Angle, 7 Circuits, with Vacuum Pick-Up Tape, with non-linear peg position, Lead Free

Documents:

[3D Model](#) [Product Specification PS-47082-001 \(PDF\)](#)
[Drawing \(PDF\)](#) [RoHS Certificate of Compliance \(PDF\)](#)

General

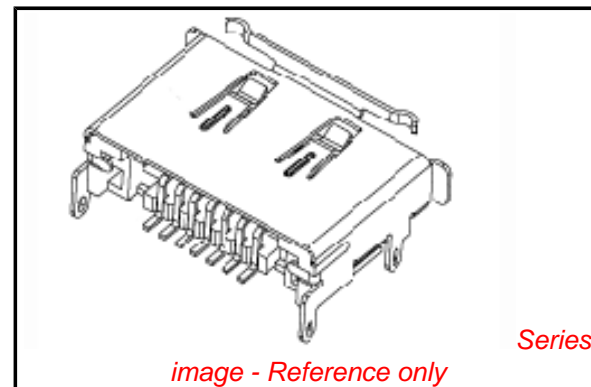
Product Family	I/O Connectors
Series	47379
Application	Wire-to-Board
Component Type	Plug
Product Name	External Serial ATA
Type	N/A

Physical

Boot Color	N/A
Circuits (Loaded)	7
Circuits (maximum)	7
Gender	Male
Keying to Mating Part	Yes
Lock to Mating Part	Yes
Material - Metal	Brass
Material - Plating Mating	Gold
Material - Plating Termination	Tin
Number of Rows	1
Orientation	Right Angle
PCB Locator	Yes
PCB Retention	Yes
PCB Thickness Recommended (in)	0.051 In
PCB Thickness Recommended (mm)	1.30 mm
Packaging Type	Embossed Tape on Reel
Panel Mount	Yes
Pitch - Mating Interface (in)	0.050 In
Pitch - Mating Interface (mm)	1.27 mm
Pitch - Term. Interface (in)	0.050 In
Pitch - Term. Interface (mm)	1.27 mm
Plating min: Mating (µin)	30
Plating min: Mating (µm)	0.76
Plating min: Termination (µin)	50
Plating min: Termination (µm)	1.27
Polarized to Mating Part	Yes
Polarized to PCB	Yes
Ports	1
Temperature Range - Operating	-35°C to +85°C
Termination Interface: Style	Surface Mount
Waterproof / Dustproof	No

Electrical

Current - Maximum per Contact	1.5A
Grounding to Panel	Yes
Shielded	Yes



EU RoHS

**ELV and RoHS
Compliant**
REACH SVHC
 Not Reviewed
**Halogen-Free
Status**

China RoHS



Not Reviewed
**Need more information on product
environmental compliance?**

Email productcompliance@molex.com
 For a multiple part number RoHS Certificate of Compliance, [click here](#)

Please visit the [Contact Us](#) section for any non-product compliance questions.

Search Parts in this Series

47379Series

Mates With

68782 External Serial ATA Cable Assemblies

Voltage - Maximum

15V DC

Material Info

Reference - Drawing Numbers

Product Specification

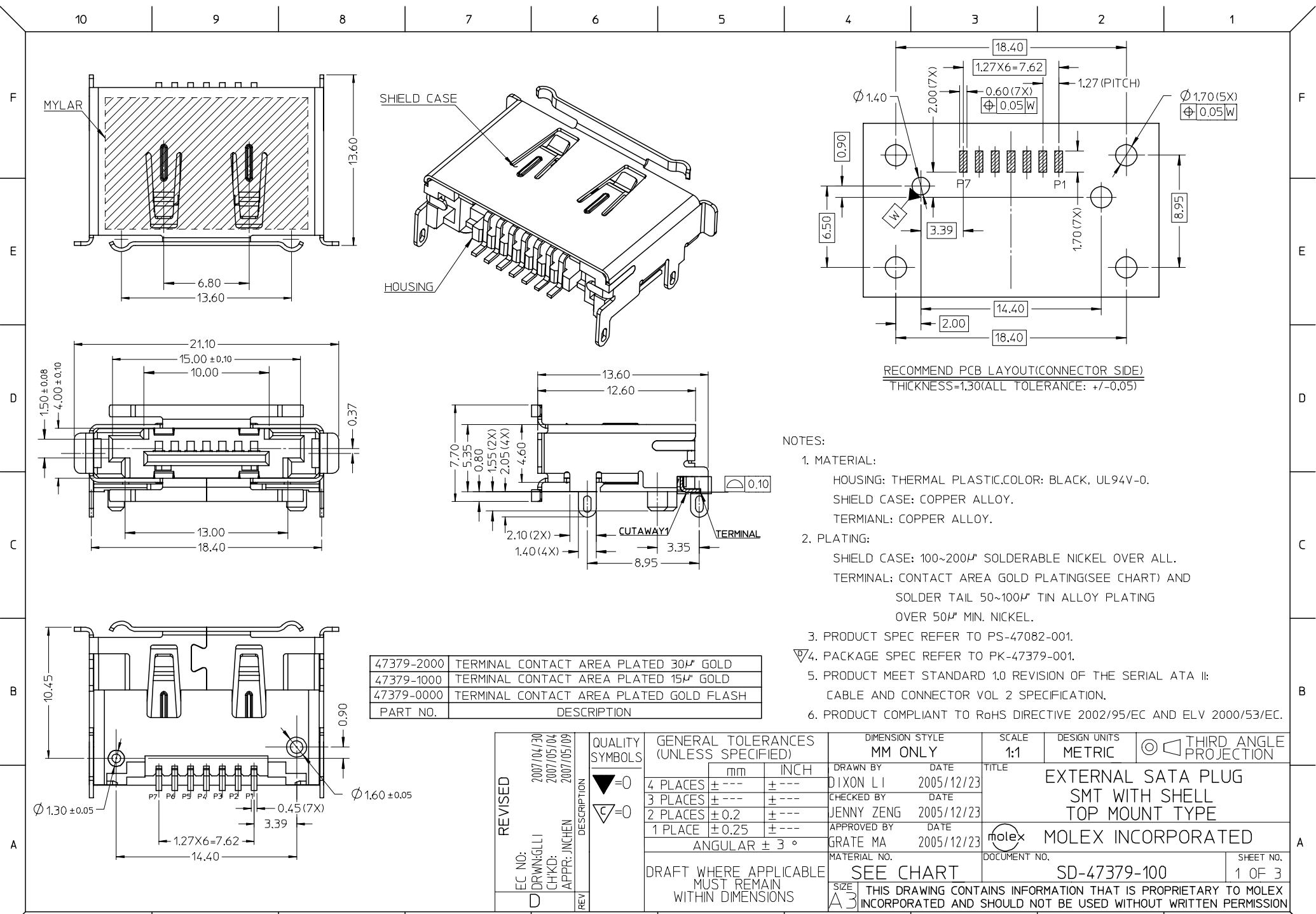
PS-47082-001

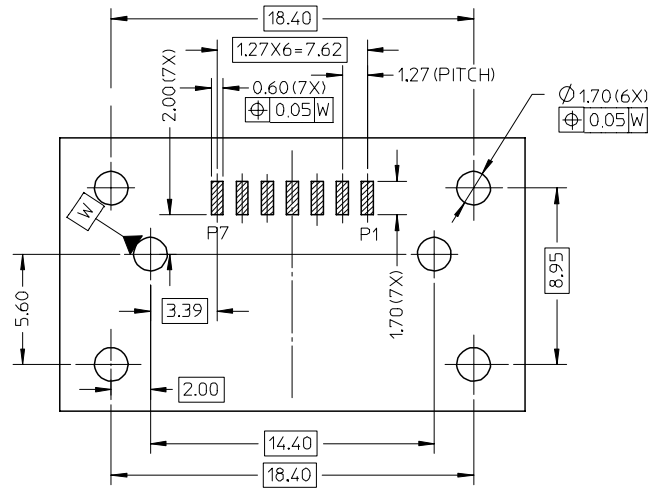
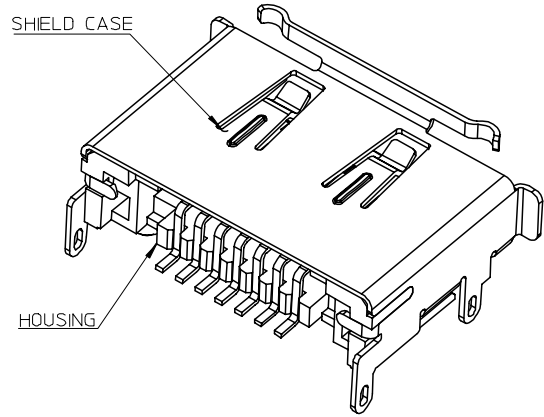
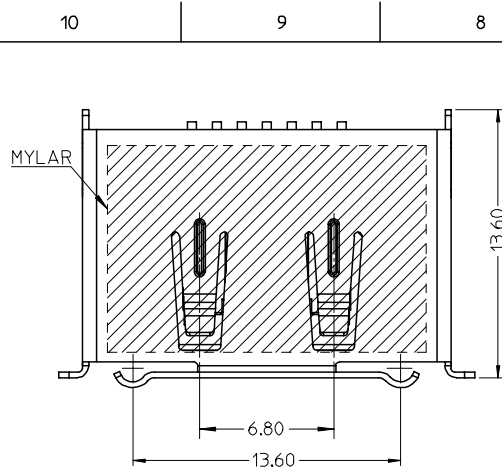
Sales Drawing

SD-47379-100

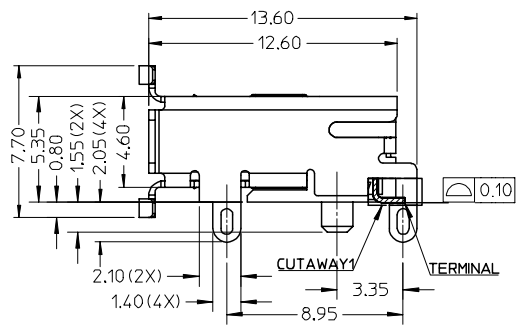
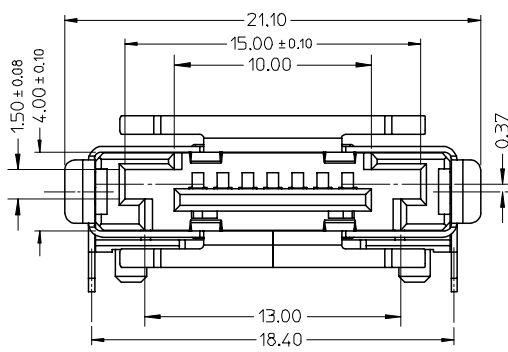
This document was generated on 04/02/2010

PLEASE CHECK WWW.MOLEX.COM FOR LATEST PART INFORMATION

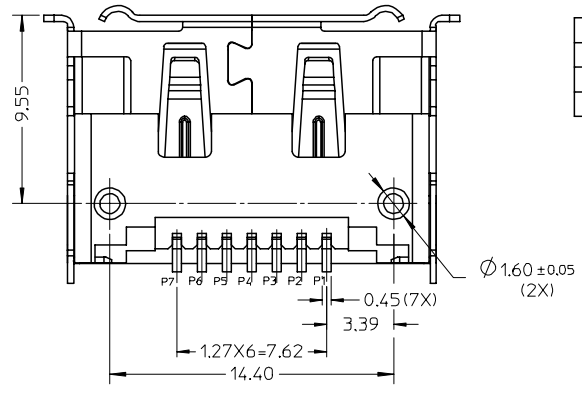




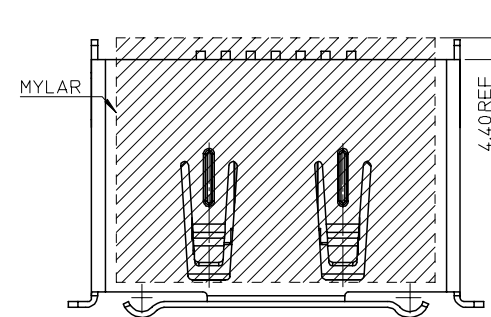
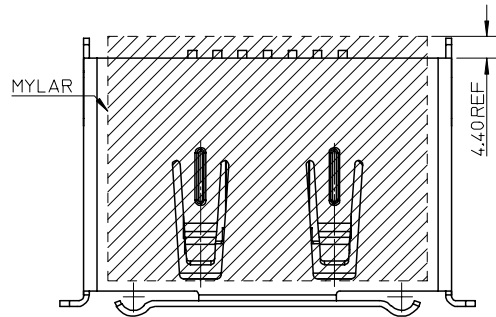
RECOMMEND PCB LAYOUT(CONNECTOR SIDE)
THICKNESS=1.30(ALL TOLERANCE: ±0.05)



47379-2100	TERMINAL CONTACT AREA PLATED 30μ GOLD
47379-1100	TERMINAL CONTACT AREA PLATED 15μ GOLD
47379-0100	TERMINAL CONTACT AREA PLATED GOLD FLASH
PART NO.	DESCRIPTION



REVISED	EC NO:	2007/04/30	QUALITY SYMBOLS ▽=0 ∇=0	GENERAL TOLERANCES (UNLESS SPECIFIED)	DIMENSION STYLE		SCALE	DESIGN UNITS	THIRD ANGLE PROJECTION
	DRWG:GLL	2007/05/04			MM ONLY		1:1	METRIC	
	CHKD:	2007/05/09			mm	INCH	TITLE		
	APPR: JNCHEN	2007/05/09			ANGULAR ± 3 °		EXTERNAL SATA PLUG SMT WITH SHELL TOP MOUNT TYPE		
D	DESCRIPTION	DRAWN BY		DATE		MOLEX INCORPORATED		SHEET NO. 2 OF 3	
REV		DIXON LI		2005/12/23		SD-47379-100			
DRAFT WHERE APPLICABLE MUST REMAIN WITHIN DIMENSIONS			APPROVED BY		DATE		DOCUMENT NO.		
			JENNY ZENG		2005/12/23		SEE CHART		
			GRATE MA		2005/12/23		THIS DRAWING CONTAINS INFORMATION THAT IS PROPRIETARY TO MOLEX INCORPORATED AND SHOULD NOT BE USED WITHOUT WRITTEN PERMISSION		



ALL DIMENSION REFER TO SHEET 1.

ALL DIMENSION REFER TO SHEET 2.

47379-2010	TERMINAL CONTACT AREA PLATED 30μ" GOLD
47379-1010	TERMINAL CONTACT AREA PLATED 15μ" GOLD
47379-0010	TERMINAL CONTACT AREA PLATED GOLD FLASH
PART NO.	DESCRIPTION

47379-2110	TERMINAL CONTACT AREA PLATED 30μ" GOLD
47379-1110	TERMINAL CONTACT AREA PLATED 15μ" GOLD
47379-0110	TERMINAL CONTACT AREA PLATED GOLD FLASH
PART NO.	DESCRIPTION

REVISED EC NO: SH2007-0788 DRWN:GLLI CHKD:JTIAN APPR: JNCHEN	2007/04/30 2007/05/04 2007/05/09	QUALITY SYMBOLS ▽=0 ▽=0	GENERAL TOLERANCES (UNLESS SPECIFIED)		DIMENSION STYLE MM ONLY		SCALE 1:1	DESIGN UNITS METRIC	THIRD ANGLE PROJECTION		
			4 PLACES ± --- ± --- 3 PLACES ± --- ± --- 2 PLACES ± 0.2 ± --- 1 PLACE ± 0.25 ± --- ANGULAR ± 3 °	mm INCH	DRAWN BY DIXON LI CHECKED BY JENNY ZENG APPROVED BY GRATE MA	DATE 2005/12/23 2005/12/23 2005/12/23	TITLE EXTERNAL SATA PLUG SMT WITH SHELL TOP MOUNT TYPE				
			DRAFT WHERE APPLICABLE MUST REMAIN WITHIN DIMENSIONS		SEE CHART		MOLEX INCORPORATED				
					MATERIAL NO.		DOCUMENT NO. SD-47379-100		SHEET NO. 3 OF 3		