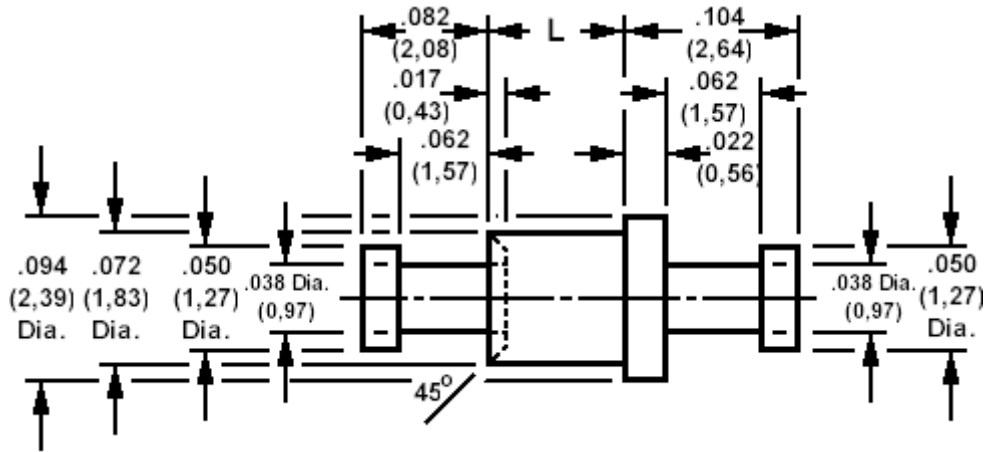


## 160-2042 Solder terminal, turreted, feed thru,

Recommended mounting hole .076 (1,93), #48 drill



### How to order code

**160-2042-XX-YY-00**

Basic Part No XX = L dimension, YY = Plating Finish

DIMENSIONS (XX)			
Basic Part No	(XX)	L	Board Thickness
160-2042	-01	.051 (1,29)	.031 (0,79)
	-02	.082 (2,08)	.062 (1,59)
	-03	.113 (2,87)	.094 (2,38)
	-04	.145 (3,68)	.125 (3,18)
	-05	.207 (5,26)	.188 (4,76)

MATERIALS			
Component	Material	Finish (YY)	
Terminal	Brass	-01 Silver	-05 Electro Solder

SWAGE TOOLING	
Recommended Swaging Tools:-	
Anvil	435-6420-01-00-00
Roll punch	435-6618-01-00-00