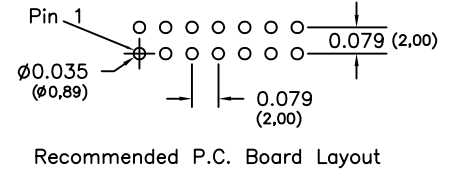
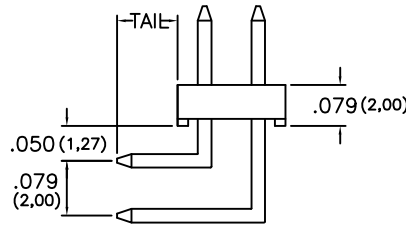
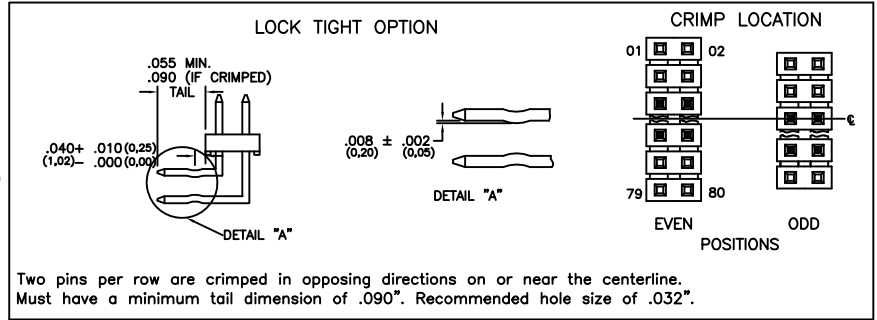
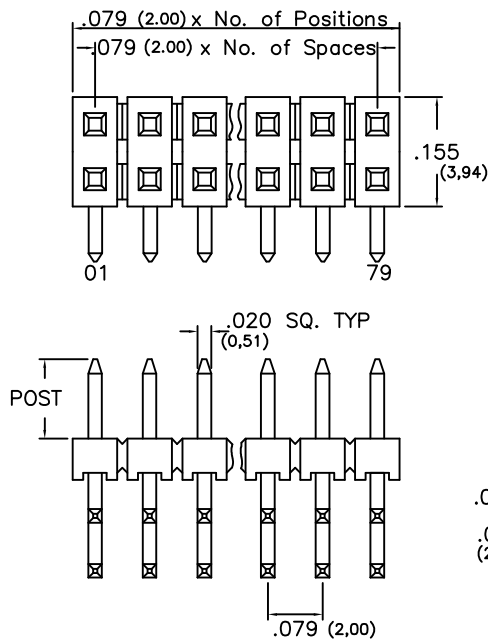


Major League Electronics .079 cl Thicker Terminal Strip Headers - Custom - Right Angle



Tails may be clipped to achieve desired pin length

$$\text{Length (L)} - \text{Post Height (P)} - .150 (3.81) = \text{Tail Length (T)}$$

Ordering Information

TTSHCR-2 [XX] - D [XX] - [XX] - [XX] - [XX] - [XX] - [XX] - LF

Pins Per Row
01 - 40
Row Specification
D = Dual Row

Lead Free

Polarized Position
Leave blank if not needed
If required, specify empty pin position, e.g. 012 for Pin 12

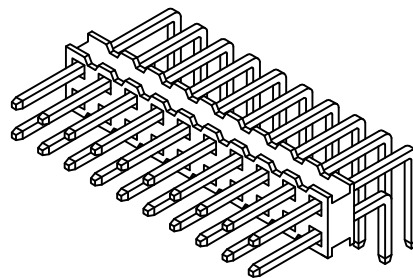
Lock Tight "LT" Option
Leave blank if not needed
LT = With

Pin Options				
Length		Max. Post Height		
.377	9.58mm	.137	3.48mm	02
.397	10.08mm	.157	3.99mm	04
.417	10.59mm	.177	4.49mm	06
.456	11.58mm	.216	5.49mm	08
.555	14.10mm	.315	8.00mm	10
.575	14.61mm	.335	8.51mm	12
.594	15.09mm	.354	8.99mm	14

Plating Options

G	10µ Gold on Contact Area / Flash on Tail
T	Matte Tin All Over
GT	10µ Gold on Contact Area / Matte Tin on Tail
H	30µ Gold on Contact Area / Matte Tin on Tail
F	Gold Flash over Entire Pin

Desired Post Height
Please specify
e.g. .100 (2.54) = 100



Mates with:
BCSS,
BSSH,
BSSHC,
BSSQ,
BSSQC,
BSSQM,
LSMBC,
LSSHSM,
SMBC,
SSHQ,
SSHQR,
SSHR,
SSHS,
SSHSM,
ULSMBC

Specifications

Current Rating: 3.0 Ampere
Insulation Resistance: 1000MΩ Min.
Dielectric Withstanding: 500V AC
Contact Resistance: 20 mΩ Max.
Operating Temperature: -40°C to + 105°C
Max. Process Temperature:
Peak: 260°C up to 10 secs.
Process: 230°C up to 60 secs.
Wave: 260°C up to 6 secs.
Manual Solder: 350°C up to 5 secs.

Materials

Contact Material: Phosphor Bronze
Insulator Material: Nylon 6T
Plating: Au or Sn over 50µ" (1,27) Ni

Products cut to specific sizes are uncancellable/nonreturnable

Parts are subject to change without notice

TTSHCR-2-D SERIES

.079cl Dual Row - Custom
Thicker Terminal Strip Headers

21 FEB 07

Scale
NTS

UNLESS OTHERWISE SPECIFIED
DIMENSIONS IN INCHES (MM)
TOLERANCES ARE:

ONE PLACE DECIMALS ±.100
TWO PLACE DECIMALS ±.010
THREE PLACE DECIMALS ±.005
FOUR PLACE DECIMALS ±.0020

ANGLES
±5°

**Major League
ELECTRONICS**

4235 Earnings Way, New Albany, Indiana, 47150, USA
1-800-782-3486 (USA/Canada/Mexico)
Tel: 812-944-7244
Fax: 812-944-7268
E-mail: mle@mlelectronics.com
Web: www.mlelectronics.com

Edition
1

Sheet
1/1