

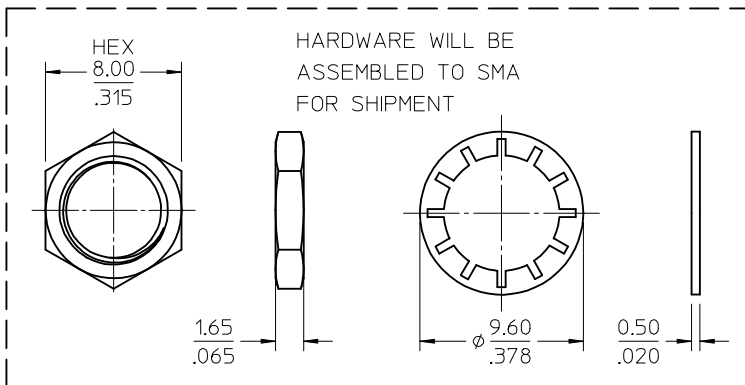
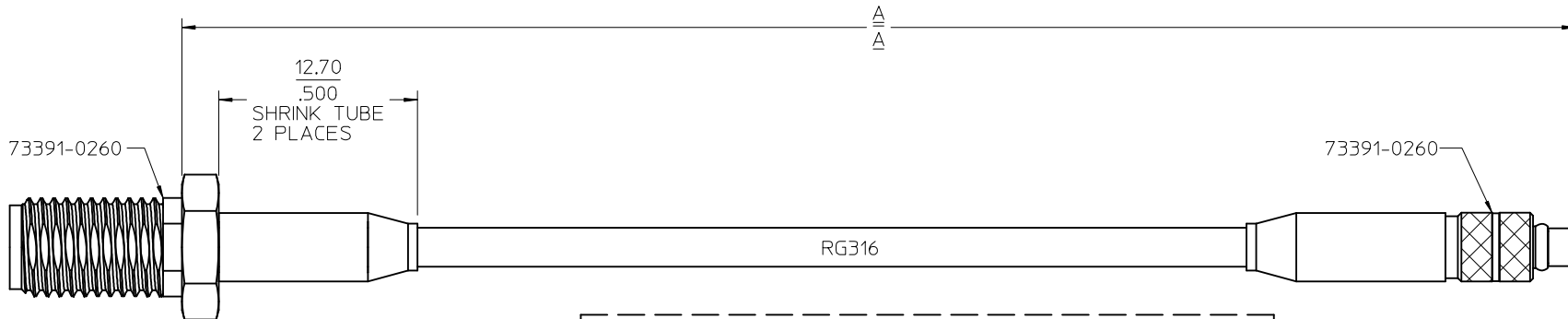
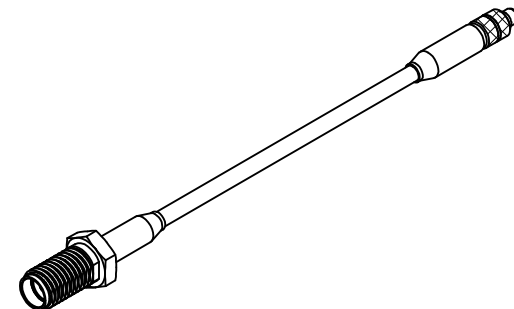
MATERIALS AND FINISHES

SMA JACK: SEE SD-73391-026

MMCX PLUG: SEE SD-73415-125

CABLE: RG316

SHRINK TUBE: VERSAFIT



CABLES WILL BE INDIVIDUALLY BAGGED

BAG LABEL:
MOLEX: P/N
DATE CODE

89761-6812	18.0±.35	457.2±8.89	POLYBAG
89761-6811	12.0±.25	304.8±6.35	POLYBAG
89761-6810	6.00±.25	152.4±6.35	POLYBAG
PART NO.	IN	MM	PACKAGING
A			

CECC-22-340	INTERFACE MMCX
MIL-STD-348A, FIG. 310.2	INTERFACE SMA
SPECIFICATION	DESCRIPTION

CHG: REGENERATED IN SYSTEM PER RF12-E082	EC NO: URF2013-0035	2012/07/12	QUALITY SYMBOLS	▽=0	GENERAL TOLERANCES (UNLESS SPECIFIED)	DIMENSION STYLE		SCALE	DESIGN UNITS	THIRD ANGLE PROJECTION
	DRWNR:YEH	2012/07/28		▽=0		MM/IN	4.5:1	METRIC		
CHKD:	APPR:MHUANG		▽=0	mm	4 PLACES ± --- ± ---	DRAWN BY	DATE	TITLE CA SMA JACK STR BKHD TO MMCX PLUG STR W/RG316 CA-SMAJ/MMCXP, EWR-3874		
				INCH	3 PLACES ± --- ± ---	AZR	2009/01/08			
					2 PLACES ± --- ± ---	CHECKED BY	DATE	DOCUMENT NO. SD-89761-681		
					1 PLACE ± --- ± ---	SSS	2009/01/08			
					0 PLACE ± --- ± ---	APPROVED BY	DATE	SHEET NO. 1 OF 1		
						JDW	2009/01/08			

REV	A2	DESCRIPTION	
-----	----	-------------	--

ANGULAR ± 2 °
DRAFT WHERE APPLICABLE
MUST REMAIN
WITHIN DIMENSIONS

SIZE
C
SEE TABLE

THIS DRAWING CONTAINS INFORMATION THAT IS PROPRIETARY TO MOLEX
INCORPORATED AND SHOULD NOT BE USED WITHOUT WRITTEN PERMISSION