

# SMTC2-1500F

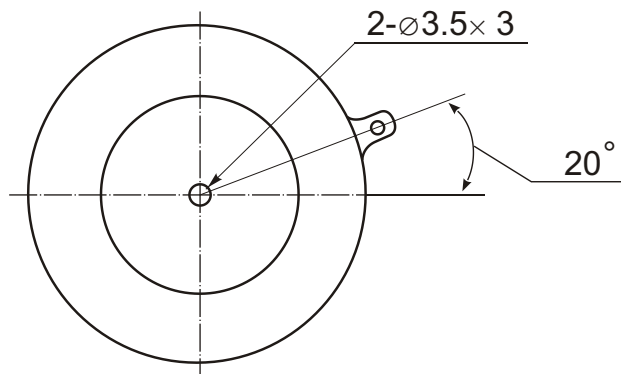


## Phase Control Thyristor

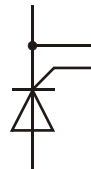
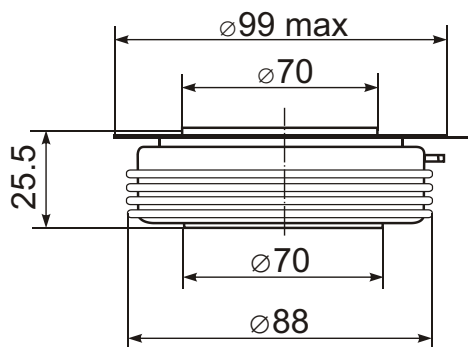


Type	$V_{RSM}$	$V_{RRM}$ , $V_{DRM}$
SMTC2-1500F-16	1700	1600
SMTC2-1500F-18	1900	1800
SMTC2-1500F-20	2100	2000
SMTC2-1500F-22	2300	2200
SMTC2-1500F-24	2500	2400
SMTC2-1500F-25	2600	2500

Type	$I_{TAVM}$ $T_c=55^\circ\text{C}$	$I_{TRMS}$	$I_{TSM}$	$(di/dt)_{cr}$	$(dv/dt)_{cr}$	$V_{TM}$	$I_{TM}$	$V_{TO}$	$r_T$	$V_{GT}$	$I_{GT}$	$T_{VJM}$	$R_{thJC}$	F
	A	kA	kA	A/ $\mu\text{s}$	V/ $\mu\text{s}$	V	kA	V	m $\Omega$	V	mA	$^\circ\text{C}$	K/W	kN
SMTC2-1500F	1500	2.83	20	500	500-1000	2.8	3.5	1.30	0.21	3.5	250	115	0.020	30



Type	$t_q$ ( $T_c=105^\circ\text{C}$ )
	$\mu\text{s}$
SMTC2-1500F-xx-OED10	16
SMTC2-1500F-xx-NED10	20
SMTC2-1500F-xx-MED10	25
SMTC2-1500F-xx-LED10	30
SMTC2-1500F-xx-KED10	40



### Features:

- Hermetic metal case with ceramic insulator
- Capsule packages for double sided cooling
- International standard case
- Amplifying gates

### Typical Applications:

- DC motor control
- AC motor soft starter
- Controlled rectifiers
- AC controllers