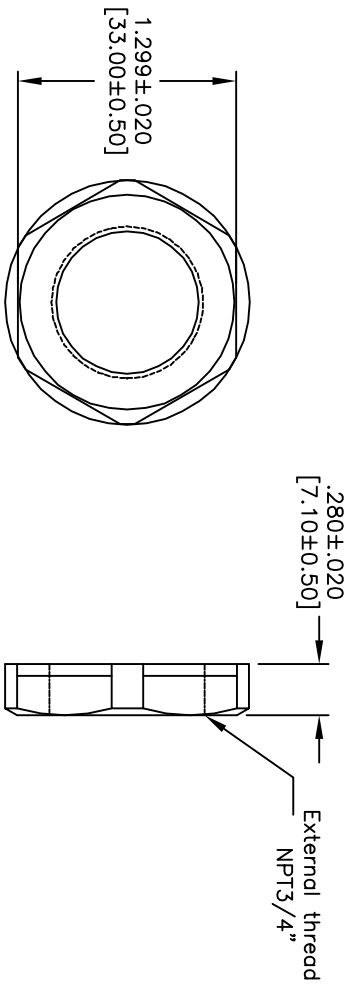


Rev	AWO #	Description	Date	Appr
-		RELEASED	6/01/11	

APPROVED: \_\_\_\_\_  
 DATE: \_\_\_\_\_ TITLE: \_\_\_\_\_



UNLESS OTHERWISE SPECIFIED  
 ALL DIMENSIONS ARE INCHES [MM]  
 TOLERANCES: EXCEPT AS NOTED  
 INCHES Holes ±.10  
 .X ±.10 ØX ±.10  
 .XX ±.020 ØXX ±.015  
 .XXX ±.015 ØXXX ±.010

**ADAM TECH**  
 909 Rahway Avenue, Union, NJ 07083  
 Phone: 908-687-5000 Fax: 908-687-5710

LOCK NUT

SPECIFICATIONS:  
 Material: Nylon66, UL94V-2  
 Insulator color: Black  
 Environmental: Lead free, RoHS compliant



DRAWN	DY	6/01/11
CHECKED		
APPROVED		

SIZE	PART NO.	REV.
X	CSRF-34-LN	-
REF: S00193T	SCALE: NTS	SHEET 1 OF 1