

# Stud-mounted fuses one-time



**Catalog symbol:** ALS-\_\_

**Description:**

Bussmann® series stud-mounted, one-time fuse.

**Specifications:**

**Ratings**

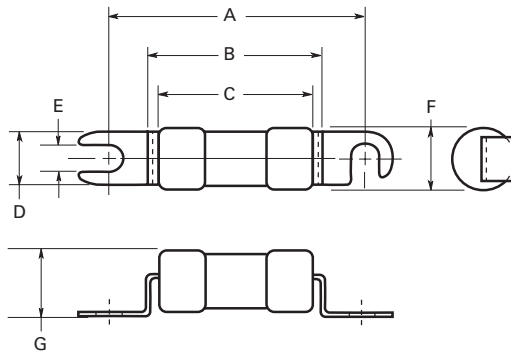
- Volts - 125 Vdc (or less)
  - 130 Vdc - (100-175 A)
  - 80 Vdc - (300A)
  - 48 Vdc - (200-250 A), (350-500 A)
- Amps - 100-600 A
- Interrupting rating
  - 10 kA - (100-175 A)
  - 5 kA - (200-500 A)

**Agency information**

- UL® Recognized, Guide JFHR2, File E56412

Catalog numbers (amps)			
ALS-100	ALS-225B	ALS-300B	ALS-450
ALS-175	ALS-250	ALS-350	ALS-500
ALS-200	ALS-250B	ALS-350B	ALS-500B
ALS-200B	ALS-300	ALS-400	ALS-550
ALS-225	ALS-300A	ALS-400B	ALS-600

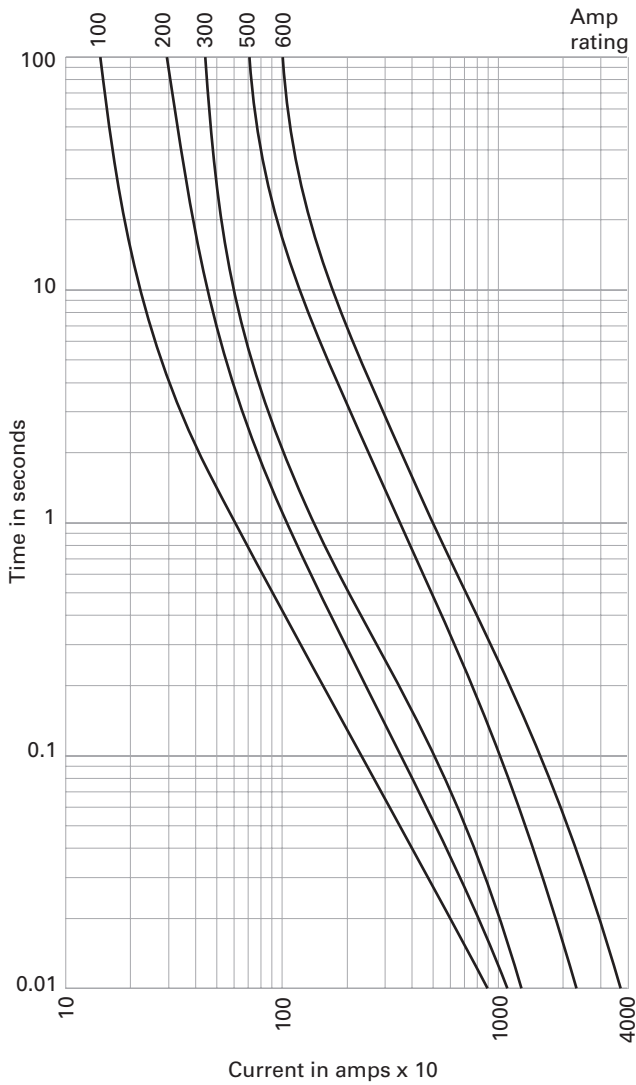
**Dimensions:**



**Dimensions - in:**

System voltage	A	B	C	D	E	F	G
ALS 100-175	3.5	3.5	2.41	0.75	0.312	1.06	1.13
	88.9	88.9	61.1	19.1	7.92	26.85	28.6
ALS 200-500	3.75	2.7	2.25	0.75	0.375	1.06	1.13
	95.3	68.6	57.2	19.1	9.53	26.85	28.6
ALS 550-600	4.25	2.38	2.38	1.25	0.531	1.59	1.81
	107.95	60.5	60.5	31.75	13.5	40.4	46.1

**Time-current curves—average melt**



The only controlled copy of this data sheet is the electronic read-only version located on the Eaton network drive. All other copies of this document are by definition uncontrolled. This bulletin is intended to clearly present comprehensive product data and provide technical information that will help the end user with design applications. Eaton reserves the right, without notice, to change design or construction of any products and to discontinue or limit distribution of any products. Eaton also reserves the right to change or update, without notice, any technical information contained in this bulletin. Once a product has been selected, it should be tested by the user in all possible applications.

**Eaton**  
 1000 Eaton Boulevard  
 Cleveland, OH 44122  
 United States  
 Eaton.com

Bussmann Division  
 114 Old State Road  
 Ellisville, MO 63021  
 United States  
 Eaton.com/bussmannseries

© 2016 Eaton  
 All Rights Reserved  
 Printed in USA  
 Publication No. 1037 – SB04068  
 June 2016

For Eaton’s Bussmann series  
 product information,  
 call 1-855-287-7626 or visit:  
**Eaton.com/bussmannseries**

Eaton, Bussmann and Low-Peak are valuable trademarks of Eaton in the US and other countries. You are not permitted to use the Eaton trademarks without prior written consent of Eaton.

UL is a registered trademark of the Underwriters Laboratories, Inc.

Follow us on social media to get the latest product and support information.

