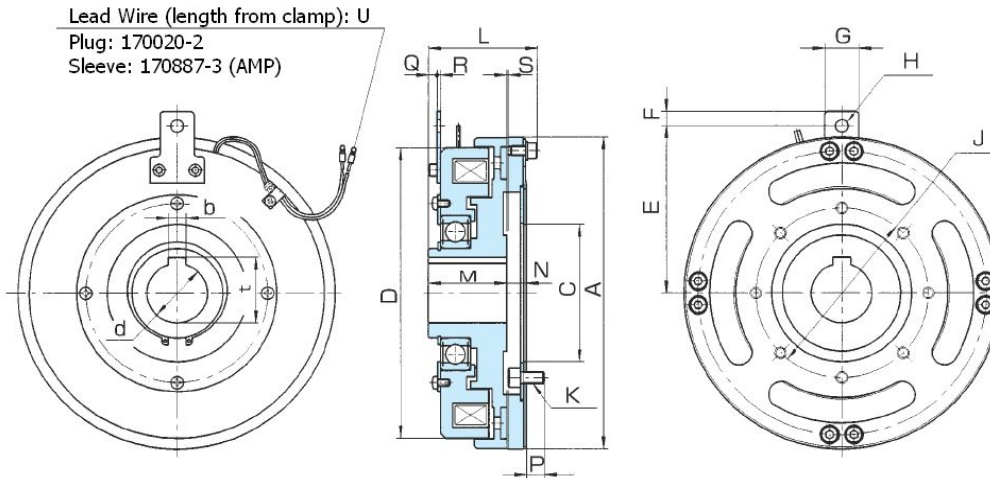


# MMC

## EM Clutch

Types: 70, 100, 200

[ EM: Electromagnet ]



MMC		70E	70G	100E	100G	200G
Static Torque [ft-lbs / N-m]		516 / 700		738 / 1000		1475 / 2000
Coil (20°C)	Voltage [DC-V]	12	24	12	24	24
	Current [A]	7.5	3.75	8.33	4.14	6.15
	Resistance [Ω]	1.6	6.4	1.44	5.8	3.9
	Wattage [W]	90		100		150
Armature	Pull-In Time [ms]	180		200		400
	Release Time [ms]	180		200		400
Max Allowable Speed [rpm]		2500		1800		1600
Moment of Inertia (J) [kg-cm <sup>2</sup> ]	Rotor	1030		2800		6300
	Armature	980		2100		3800
Max Air Gap Until Adjustment [mm]		1.3		1.6		1.6
Total Energy Until Adjustment [J]		58 x 10 <sup>7</sup>		80 x 10 <sup>7</sup>		88 x 10 <sup>7</sup>
Total Energy Until Life [J]		140 x 10 <sup>7</sup>		200 x 10 <sup>7</sup>		220 x 10 <sup>7</sup>
Bore [mm]	dH7	60		70		80
Key Way [mm]	bE9	15		18		20
	t+0.25/-0	65		76		86
Dimensions [mm]	A	316		381		400
	CH9	150		185		185
	D	293		360		375
	E	170		210		220
	F	13		13		13
	G	30		30		40
	H	13		13		13
	J	180		220		220
	K	8xM10-20		8xM12-25		8xM16-30
	L	100.4		111.3		144.1
	M	70		80		102
	N	19		20		28.8
	P	14.8		19.8		26
	Q	2.8		14.8		5
	R	3.2		3.2		5
S	0.6~0.8		0.7~0.9		0.7~0.9	
U	370		340		300	
Weight [lbs / kg]		71 / 32		104 / 47		174 / 79

[ Included parts & accessories : bolts, plug 170021-2, sleeve 170889-2 (AMP), surge protector ]

[ 1" = 25.4mm ]