

Digital Audio Interface Transceiver

DESCRIPTION

The WM8802 is a digital audio interface transceiver conforming to IEC 60958/61937 and EIAJ CP-1201. The device supports data sampling input rates of up to 192 kHz. Data input to the serial digital audio data input pin can also be modulated. The WM8802 features up to 6 data inputs and 1 data output.

Data can be demodulated using the on-board PLL or with the use of an external clock source.

The WM8802 is controlled via a 4-wire CCB compatible control interface. This interface provides access to the channel status bits. The WM8802 also provides a number of flag outputs including PCM data valid, de-emphasis, lock and IEC 61937, DTS-CD/LD detection.

The device is available in a small 48-pin SQFP package.

FEATURES

- PLL circuit for synchronization with transferred input bi-phase mark signal.
- Input sampling frequency: 32kHz to 192kHz
- Outputs clocks: fs, fs/2, 2fs, 32fs, 64fs, 128fs, 256fs, 384fs, and 512fs.
- 4-Wire CCB MPU Serial Control or Hardware Default Interface
- Master or Slave Clacking Mode
- Programmable Audio Data Interface Modes
 - I²S, Left, Right Justified
 - 16/20/24/32 bit Word Lengths
- 3.3V Digital supply Operation
- 5V tolerant digital input ports

APPLICATIONS

- DVD Receivers
- AV Amplifiers
- DVD Recorders

BLOCK DIAGRAM

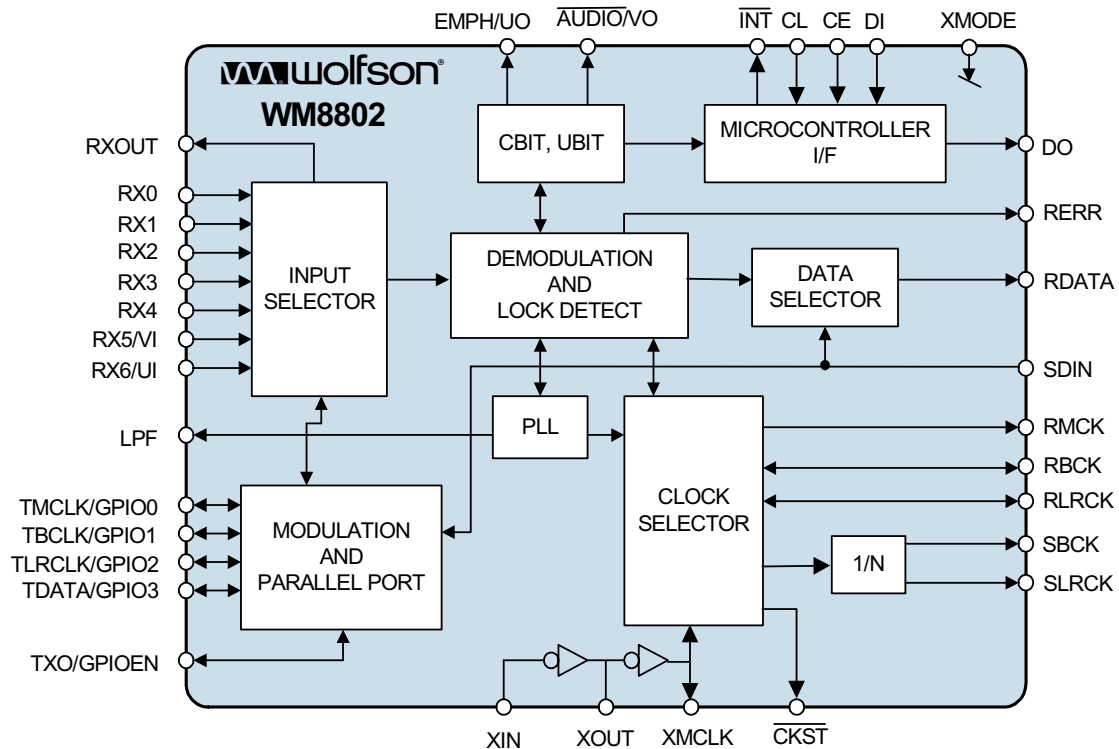
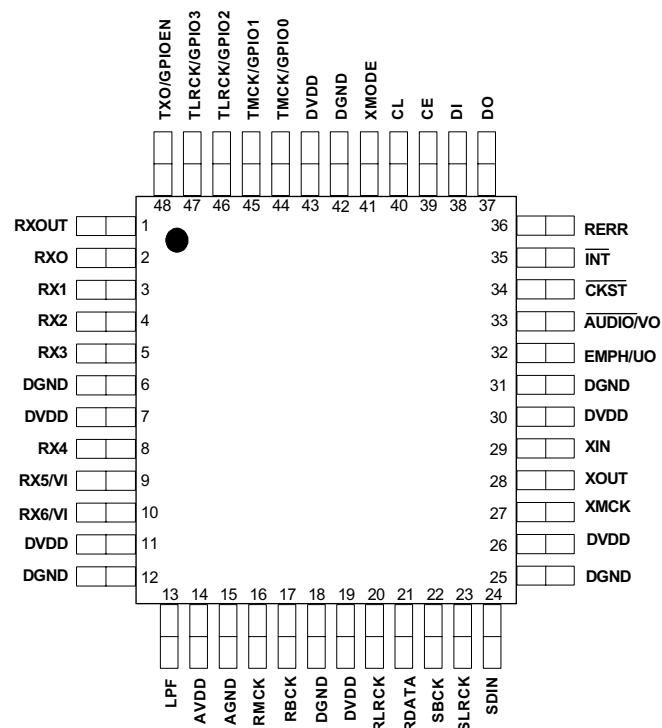


TABLE OF CONTENTS

DESCRIPTION	1
FEATURES	1
APPLICATIONS	1
BLOCK DIAGRAM	1
PIN CONFIGURATION	3
ORDERING INFORMATION	3
PIN DESCRIPTION	4
ABSOLUTE MAXIMUM RATINGS	6
RECOMMENDED OPERATING CONDITIONS	7
ELECTRICAL CHARACTERISTICS	7
DC CHARACTERISTICS.....	7
AC CHARACTERISTICS.....	8
MICROCONTROLLER INTERFACE AC CHARACTERISTICS	9
DEVICE DESCRIPTION	10
INITIAL SYSTEM SETTINGS	10
SYSTEM RESET (XMODE).....	10
CHIP ADDRESS SETTINGS (EMPHA/UO, $\overline{\text{AUDIO}}$ /VO)	11
DEMODULATION FUNCTION MASTER/SLAVE SETTINGS ($\overline{\text{CKST}}$)	12
MODULATION FUNCTION AND GENERAL-PURPOSE I/O PORT SWITCHING ($\overline{\text{INT}}$).....	12
DESCRIPTION OF DEMODULATION FUNCTION	13
CLOCKS.....	13
BI-PHASE SIGNAL INPUT / OUTPUT	21
SERIAL AUDIO DATA INPUT/OUTPUT	23
ERROR OUTPUT PROCESSING	27
CHANNEL STATUS OUTPUT	30
OTHER OUTPUTS.....	31
IEC61937, DTS-CD/LD DETECTION FLAG OUTPUT	32
DESCRIPTION OF MODULATION FUNCTION AND GENERAL-PURPOSE I/O ...	33
MODULATION FUNCTION USAGE METHOD.....	33
GENERAL PURPOSE I/O (GPIO0, GPIO1, GPIO2, GPIO3, GPIOEN).....	36
MICRO-CONTROLLER INTERFACE ($\overline{\text{INT}}$, CL, CE, DI, DO).....	37
DESCRIPTION OF MICRO-CONTROLLER INTERFACE.....	37
WRITE DATA.....	40
READ DATA.....	53
BURST PREAMBLE PC FIELD	61
RECOMMENDED EXTERNAL COMPONENTS	62
SAMPLE APPLICATION	62
RECOMMENDED EXTERNAL COMPONENTS VALUES	63
PACKAGE DRAWING	64
IMPORTANT NOTICE	65
ADDRESS:	65

PIN CONFIGURATION



ORDERING INFORMATION

DEVICE	TEMPERATURE RANGE	PACKAGE	PEAK SOLDERING TEMPERATURE
WM8802SCFT/V	0 to +70oC	48-pin SQFP	240°C

PIN DESCRIPTION

PIN	NAME	TYPE	DESCRIPTION
1	RXOUT	Digital Output	Input bi-phase selection data output pin
2	RX0	Digital Input ₁	TTL-compatible digital data input pin
3	RX1	Digital Input	Coaxial-compatible digital data input pin with built-in amplifier
4	RX2	Digital Input ₁	TTL-compatible digital data input pin
5	RX3	Digital Input ₁	TTL-compatible digital data input pin
6	DGND	Supply	Digital GND
7	DVDD	Supply	Digital power supply
8	RX4	Digital Input ₁	TTL-compatible digital data input pin
9	RX5/VI	Digital Input ₁	TTL-compatible digital data. Validity flag input pin for modulation.
10	RX6/UI	Digital Input ₁	TTL-compatible digital data. User data input pin for modulation.
11	DVDD	Supply	PLL digital power supply
12	DGND	Supply	PLL digital GND
13	LPF	Analogue Output	PLL loop filter connection pin
14	AVDD	Supply	PLL analog power supply
15	AGND	Supply	PLL analog GND
16	RMCK	Digital Output	R system clock output pin (256fs, 512fs, XIN, VCO)
17	RBCK	Digital Output/Input	R bit clock input/output pin (64fs)
18	DGND	Supply	Digital GND
19	DVDD	Supply	Digital power supply
20	RLRCK	Digital Output/Input	R LR clock input/output pin (fs)
21	RDATA	Digital Output	Serial audio data input pin
22	SBCK	Digital Output	S bit clock output pin (32fs, 64fs, 128fs)
23	SLRCK	Digital Output	S LR clock output pin (fs/2, fs, 2fs)
24	SDIN	Digital Input ₁	Serial audio data input pin
25	DGND	Supply	Digital GND
26	DVDD	Supply	Digital power supply
27	XMCK	Analogue Output	Oscillation amplifier output pin
28	XOUT	Analogue Output	Crystal resonator connection output pin
29	XIN	Analogue Input	Crystal resonator connection, external supply clock input pin (24.576 MHz or 12.288 MHz)
30	DVDD	Supply	Digital power supply
31	DGND	Supply	Digital GND
32	EMPH/UO	Digital Input/Output	Emphasis information, U data output. Chip address setting pin ² .
33	AUDIO/VO	Digital Input/Output	Non-PCM output, V flag output. Chip address setting pin ² .
34	CKST	Digital Input/Output	Clock switch transition period signal. Demodulation master or slave function switch pin ³ .
35	INT	Digital Input/Output	Micro-controller interrupt output. Modulation or general-purpose I/O switch pin ⁴ .
36	RERR	Digital Output	PLL clock error, data error flag output
37	DO	Digital Output	Micro-controller I/F read data output pin (3-state)
38	DI	Digital Input ₁	Micro-controller I/F write data input pin
39	CE	Digital Input ₁	Micro-controller I/F chip enable input pin
40	CL	Digital Input	Micro-controller I/F clock input pin
41	XMODE	Digital Input ₁	System reset input pin
42	DGND	Supply	Digital GND
43	DVDD	Supply	Digital power supply
44	TMCK/GPIO0	Digital Input/Output	Modulation 256fs system clock input. General-purpose I/O input/output pin.

PIN	NAME	TYPE	DESCRIPTION
45	TBCK/GPIO1	Digital Input/Output	Modulation 64fs bit clock input. General-purpose I/O input/output pin.
46	TLRCK/GPIO2	Digital Input/Output	Modulation fs clock input. General-purpose I/O input/output pin.
47	TDATA/GPIO3	Digital Input/Output	Modulation serial audio data input. General-purpose I/O input/output pin.
48	TXO/GPIOEN	Digital Output/Input	Modulation data output. General-purpose I/O enable input pin.

Notes:

1. Input/output I or O = -0.3 to 3.6V, except annotated pins: -0.3 to +5.5V
2. Pins 32 and 33 are latch address setting input pins when pin 41 = Low.
3. Pin 34 is the demodulation function master or slave setting input pin when pin 41 = Low.
4. Pin 35 is the modulation function or general-purpose I/O function switch setting input pin when pin 41 = Low.
5. Perform ON/OFF for all power supplies with the same timing as a latch-up countermeasure.

ABSOLUTE MAXIMUM RATINGS

Absolute Maximum Ratings are stress ratings only. Permanent damage to the device may be caused by continuously operating at or beyond these limits. Device functional operating limits and guaranteed performance specifications are given under Electrical Characteristics at the test conditions specified.



ESD Sensitive Device. This device is manufactured on a CMOS process. It is therefore generically susceptible to damage from excessive static voltages. Proper ESD precautions must be taken during handling and storage of this device.

CONDITION	SYMBOL	CONDITIONS	MIN-MAX
Maximum supply voltage	AVDD _{max}	1	-0.3 to 4.6V
Maximum supply voltage	DVDD _{max}	2	-0.3 to 4.6V
Input voltage 1	V _{i1}	3	-0.3 to DVDD +0.3V
Input voltage 2	V _{i2}	4	-0.3 to 5.8V
Output voltage	V _o	5	-0.3 to DVDD +0.3V
Storage ambient temperature	T _{stg}		-55 to 125°C
Operating ambient temperature	T _{opg}		-30 to 70°C
Maximum input/output current	T _i , T _o	6	±20mA

Notes:

1. AVDD pin
2. DVDD pin
3. RX1, RBCK, RLRCK, XIN pins
TMCK/GPIO0, TBCK/GPIO1, TLRCK/GPIO2, TDATA/GPIO3, TXO/GPIOEN pins
4. RX0, RX2, RX3, RX4, RX5/VI, RX6/UI pins
SDIN, DI, CE, CL, XMODE pins
5. RXOUT, RMCK, RBCK, RLRCK, SBCK, SLRCK, RDATA pins
XMCK, XOUT, EMPHA/UO, $\overline{\text{AUDIO}}/\text{VO}$, $\overline{\text{CKST}}$, $\overline{\text{INT}}$, RERR, DO pins
TMCK/GPIO0, TBCK/GPIO1, TLRCK/GPIO2, TDATA/GPIO3, TXO/GPIOEN pins
6. Per input/output pin

RECOMMENDED OPERATING CONDITIONS

PARAMETER	SYMBOL	TEST CONDITIONS	MIN	TYP	MAX	UNIT
Supply voltage	AVDD, DVDD		3.0	3.3	3.6	V
Input voltage range 1	V_{IN1}	1	0	3.3	3.6	V
Input voltage range 2	V_{IN2}	2	0	3.3	5.5	V
Operating temperature	V_{opq}		-30	-	70	°C

Notes:

- RX1, RBCK, RLRCK, XIN pins
TMCK/GPIO0, TBCK/GPIO1, TLRCK/GPIO2, TDATA/GPIO3, TXO/GPIOEN pins
- RX0, RX2, RX3, RX4, RX5/VI, RX6/UI pins
SDIN, DI, CE, CL, XMODE pins

ELECTRICAL CHARACTERISTICS

DC CHARACTERISTICS

Test Conditions

DC Characteristics at $T_a = 25^\circ\text{C}$, AVDD = DVDD = 3.3V, AGND = DGND = 0V

PARAMETER	SYMBOL	TEST CONDITIONS	MIN	TYP	MAX	UNIT
Input, High	V_{IH}	1	0.7VDD	–	–	V
Input, Low	V_{IL}		–	–	0.2VDD	V
Input, High	V_{IH}	2	2.0	–	5.8	V
Input, Low	V_{IL}		–0.3	–	0.8	V
Output, High	V_{OH}	3	VDD–0.8	–	–	V
Output, Low	V_{OL}		–	–	0.4	V
Output, High	V_{OH}	4	VDD–0.8	–	–	V
Output, Low	V_{OL}		–	–	0.4	V
Output, High	V_{OH}	5	VDD–0.8	–	–	V
Output, Low	V_{OL}		–	–	0.4	V
Output, High	V_{OH}	6	VDD–0.8	–	–	V
Output, Low	V_{OL}		–	–	0.4	V
Input amplitude	V_{PP}	7	200	–	–	mV
Consumption current	V_{DD1}	8	–	1.7	3.4	mA
Consumption current	V_{DD1}	9	–	17	34	mA
Consumption current	V_{DD1}	10	–	19	38	mA

Notes:

- CMOS levels: RX1, RBCK, RLRCK, XIN pins
- TTL levels: Pins other than those listed above
- $I_{OH} = -12\text{mA}$, $I_{OL} = 8\text{mA}$: RMCK pin
- $I_{OH} = -8\text{mA}$, $I_{OL} = 8\text{mA}$: XMCK, XOUT pins
- $I_{OH} = -4\text{mA}$, $I_{OL} = 4\text{mA}$: RXOUT, RBCK, RLRCK, RDATA, SBCK pins
SLRCK, TMCK/GPIO0, TBCK/GPIO1, TLRCK/GPIO2 pins
TDATA/GPIO3, TXO/GPIOEN pins
- $I_{OH} = -2\text{mA}$, $I_{OL} = 2\text{mA}$: Pins other than those listed above
- Before capacitance of RX1 input pin
- Demodulation function and oscillation amplifier stopped, modulation only, output sampling frequency = 96kHz
- XIN continuous 24.576MHz oscillation, demodulation only, input sampling frequency = 96kHz
- XIN continuous 24.576MHz oscillation, modulation, input/output sampling frequency = 96kHz

AC CHARACTERISTICS

Test Conditions

AC Characteristics at $T_a = 25^\circ\text{C}$, AVDD = DVDD = 3.3V, AGND = DGND = 0V

PARAMETER	SYMBOL	TEST CONDITIONS	MIN	TYP	MAX	UNIT
RX0 TO RX6 sampling frequency	f_{RFS}		28	–	195	kHz
XIN clock frequency	f_{XF1}	1	8	12.288	19	MHz
XIN clock frequency	f_{XF2}	2	20	24.576	30	MHz
RMCK clock frequency	f_{RCK}		4	–	100	MHz
RMCK clock jitter	t_j		–	200	–	ps
RMCK, RBCK delay	t_{MBO}		–	–	10	ns
RBCK, RDATA delay	t_{BDO}		–	–	10	ns
RMCK, SBC delay	t_{MBO}	3	–	–	10	ns
SMCK, RDATA delay	t_{BDO}	4	–	–	10	ns
TMCK input pulse width	t_{WMI}		10	–	–	ns
TBCK input pulse width	t_{WBI}		40	–	–	ns
TLRCK sampling frequency	f_{TFS}		28	–	195	kHz
TBCK, TDATA setup	t_{DSI}		–	20	–	ns
TBCK, TDATA hold	t_{DHI}		–	20	–	ns
TMCK, TBCK delay	t_{MBI}		–	–	10	ns
TBCK, TDATA delay	t_{BDI}		–	–	10	ns

Notes:

1. XINSEL = "0" setting, 12.288MHz must be set when calculating input sampling frequency
2. XINSEL = "1" setting, 24.576MHz must be set when calculating input sampling frequency
3. When RMCK and SBCK source clocks are the same
4. When SBCK is the PLL source clock

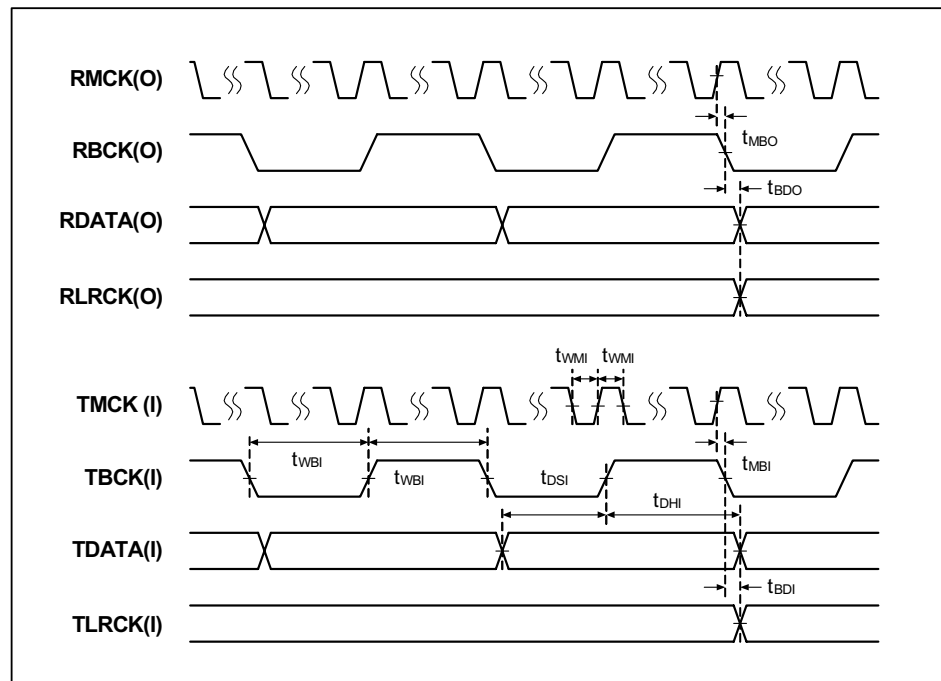


Figure 1 AC Characteristics

MICROCONTROLLER INTERFACE AC CHARACTERISTICS

Test Conditions

I/F AC Characteristics at $T_a = 25^\circ\text{C}$, $\text{AVDD} = \text{DVDD} = 3.3\text{V}$, $\text{AGND} = \text{DGND} = 0\text{V}$

PARAMETER	SYMBOL	TEST CONDITIONS	MIN	TYP	MAX	UNIT
XMODE pulse width, Low	$t_{\text{RST dw}}$		200	–	–	μs
$\overline{\text{INT}}$ pulse width, Low	$t_{\text{INT uw}}$	1	5	1/fs	36	μs
CL pulse width, Low	$t_{\text{CL dw}}$		100	–	–	ns
CL pulse width, High	$t_{\text{CL uw}}$		100	–	–	ns
CL, CE setup time	$t_{\text{CL setup}}$		50	–	–	ns
CL, CE hold time	$t_{\text{CE hold}}$		50	–	–	ns
CL, DI setup time	$t_{\text{DI setup}}$		50	–	–	ns
CL, DE hold time	$t_{\text{DI hold}}$		50	–	–	ns
CL, CE hold time	$t_{\text{CL hold}}$		50	–	–	ns
CL, DO delay time	$t_{\text{CL to DO}}$		–	–	20	ns
CE, DO delay time	$t_{\text{CE to DO}}$		–	–	20	ns

Notes:

- When INTOPF is set to "1", $f_s = \text{input sampling frequency}$

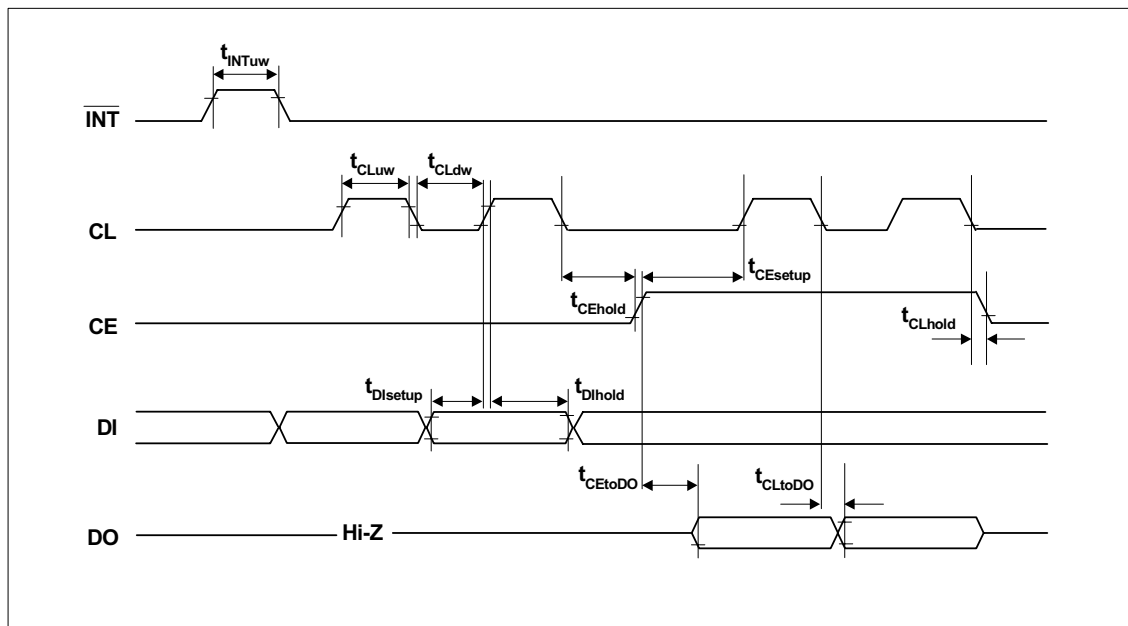


Figure 2 Micro-controller Interface AC Characteristics

DEVICE DESCRIPTION

INITIAL SYSTEM SETTINGS

SYSTEM RESET (XMODE)

The system operates normally when XMODE is set to High after applying a supply voltage of 3.0V or greater. Following power ON, the system is reset by setting XMODE to Low again.

A 10kΩ pull-down or pull-up resistor can be used to set EMPHA/VO, $\overline{\text{AUDIO}}/\text{VO}$, $\overline{\text{CKST}}$ and $\overline{\text{INT}}$ for the following:

- chip address
- demodulation function master or slave
- modulation function or general-purpose I/O function settings

If EMPHA/VO, $\overline{\text{AUDIO}}/\text{VO}$, $\overline{\text{CKST}}$, and $\overline{\text{INT}}$ are not pulled up or down, their state is undefined. A pull-up or pull-down resistor should always be connected to these pins.

SETTING	PINS
Chip address	EMPHA/VO, $\overline{\text{AUDIO}}/\text{VO}$
Demodulation function master or slave	$\overline{\text{CKST}}$
Modulation function or general-purpose I/O function	$\overline{\text{INT}}$

Table 1 Pin Names and Settings

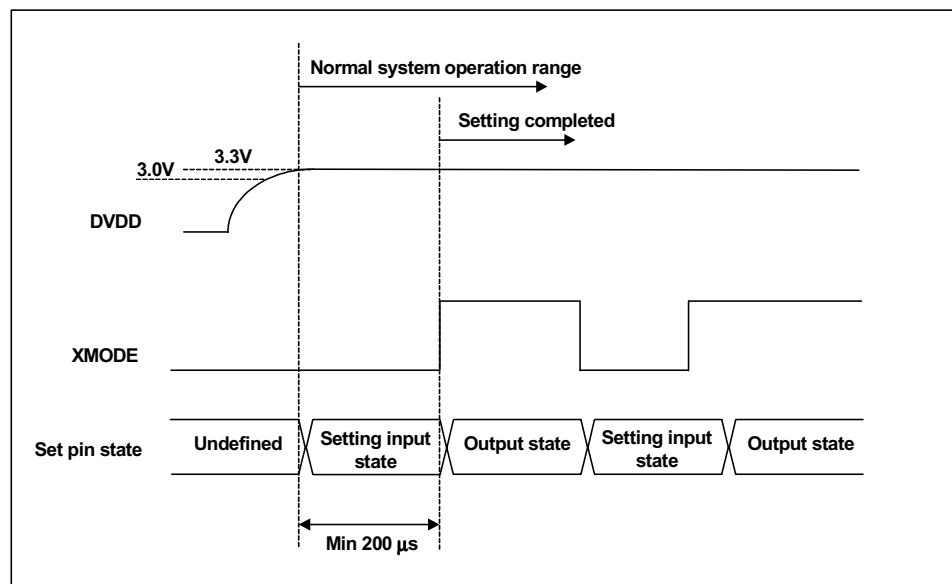


Figure 3 Setting Timing Chart of Function Setting Input Pins

CHIP ADDRESS SETTINGS (EMPHA/UO, AUDIO /VO)

The WM8802 comes with a function to set a unique chip address to allow the use of several WM8802 on the same micro-controller bus.

A 10kΩ pull-down or pull-up resistor is used to set EMPHA/UO and AUDIO /VO as the chip address settings. This allows up to set 4 chip addresses.

Chip addresses in the micro-controller interface can be set with CAL and CAU provided that they are first two bits on the LSB side. CAL and CAU corresponds to the lower and higher chip address respectively.

Address writing to a particular device is enabled by making the chip address setting, using EMPHA/UO and AUDIO /VO, the same as the chip addresses sent from the micro-controller.

The chip address setting must be performed even when using only one WM8802 in the system. The chip address is undefined and control from the micro-controller cannot be performed if the chip address setting is not performed. While XMODE is Low and the micro-controller is not used the state of the chip address setting pin is undefined. Be sure to connect either A pull-down resistor or a pull-up resistor should be connected to EMPHA/UO and AUDIO /VO.

AUDIO /VO	EMPHA/UO	CAU	CAL
Pull-down	Pull-down	0	0
Pull-down	Pull-up	0	1
Pull-up	Pull-down	1	0
Pull-up	Pull-up	1	1

Table 2 Chipset Address Settings

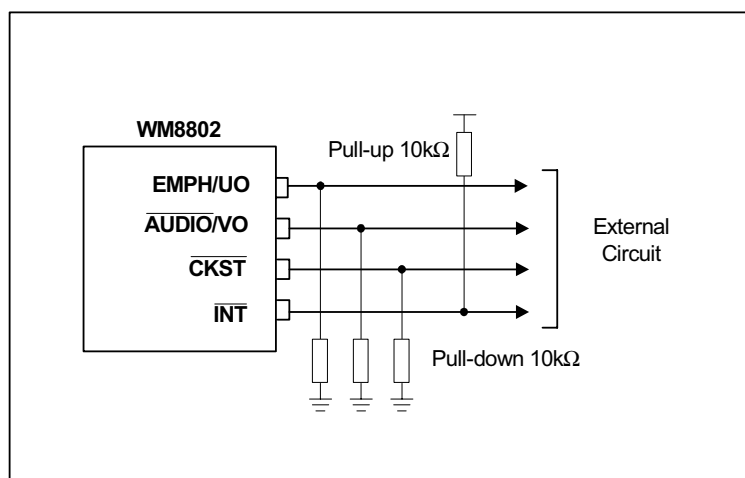


Figure 4 Function Setting Input Pin Setting Example

Notes:

1. Chip address setting => CAL = CAU = 0
2. Demodulation function master or slave setting => Master
3. Modulation function or general purpose I/O port switch => General purpose I/O port function

DEMODULATION FUNCTION MASTER/SLAVE SETTINGS ($\overline{\text{CKST}}$)

A master/slave function allows multi-channel synchronized transfer using multiple WM8802 devices. A 10k Ω pull-down or a pull-up resistor should be connected to $\overline{\text{CKST}}$ to set this function.

Set the master mode when using only one WM8802. When using multiple WM8802 devices, set one to the master mode and the others to slave mode.

In order to perform multi-channel transfer when using multiple WM8802 devices, RBCK and RLRCK (output) should be connected as the master and RLRCK (input) as the slave. XMCK of the master device should be connected to XIN of the slave device. The same polarity should be set for RBCK and RLRCK and the same frequency for XIN and XMCK.

Some of the output data maybe dropped or read twice on the slave side if the input data sampling frequency or the phase between the master and slave differ. This can also be true if the clock sources differ even though the sampling frequencies are the same. This phenomenon can be checked using the $\overline{\text{INT}}$ pin and the micro-controller interface.

$\overline{\text{CKST}}$	MODE
Pull-down	Master mode
Pull-up	Slave mode

Table 3 Master/Slave Switching

PIN	MASTER MODE	SLAVE MODE
RMCK	Output	Low
RBCK	Output	Input
RLRCK	Output	Input

Table 4 Clock Pin State

MODULATION FUNCTION AND GENERAL-PURPOSE I/O PORT SWITCHING ($\overline{\text{INT}}$)

The modulation function and the general-purpose I/O function share the same pin and therefore cannot be used simultaneously.

A 10k Ω pull-down or pull-up resistor can be connected to $\overline{\text{INT}}$ to select the function listed in Table 5.

$\overline{\text{INT}}$ STATE	FUNCTION
pull-down	Modulation function
Pull-up	General-purpose I/O

Table 5 Modulation Function and General-Purpose I/O Switching

DESCRIPTION OF DEMODULATION FUNCTION

The demodulation function operation settings are performed using RXOPR.

CLOCKS

PLL (LPF)

The VCO (Voltage Controlled Oscillator) can be stopped if PLLOPR is set. Synchronization to frequencies from 32kHz to 192kHz and RMCK of 4MHz to 25MHz can be selected.

The PLL clock frequency is selected with PLLSEL. For systems with an input data sampling frequency of 105kHz or lower, the initial setting of 512fs is recommended. Since the system clock RMCK output initial value is set to 1/2 of PLLSEL, the RMCK output is 256fs when a PLL clock frequency of 512fs is used.

For systems with an input data sampling frequency higher than 105kHz, the PLL clock frequency should be set to 256fs. RMCK will be 128fs if PRSEL0 is set to 1 and the same initial output setting (i.e. 256fs) is used.

LPF is a PLL loop filter pin. Resistances and capacitances should be selected in accordance with the frequency of the PLLSEL system clock. The PLLSEL setting should be set prior to bi-phase data input since PLLSEL switching involves a change in LPF loop filter constant.

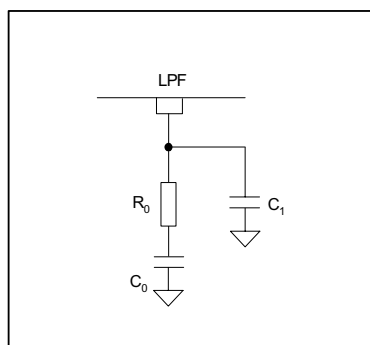


Figure 5 Loop Filter Configuration

PLLCK1	PLLCK0	R0	C0	C1
0	0	150Ω	0.047μF	0.0068μF
0	1			
1	0	220Ω	0.068μF	0.0047μF
1	1			

Table 6 Loop Filter Component Values

DEMODULATION FUNCTION WITHOUT USING PLL (TMCK)

The WM8802 has a function to process input bi-phase data using an external clock (external synchronization function). In normal demodulation processing, the clock is generated in synchronization with data by the built-in PLL; the data processing is performed using this clock. It is possible to perform data processing by supplying a data synchronized clock instead of the clock generated by the PLL via an independent transmission path.

The demodulation function can be used to set external synchronization function without using the PLL by EXSYNC. PLLSEL should be set to 256fs and PRSEL0 should be set to 1 (setting frequency to 1/1). The 256fs clock should then be synchronized with the input data to TMCK. As a result of these settings, the same operation occurs as PLL demodulation processing with a 256fs clock. LPF should remain unconnected as no loop filter is required.

The external synchronization function settings should be completed prior to bi-phase data input (paying attention to the bandwidth of clock transmission path).

A high-precision clock system using an external PLL can also be configured by using the external synchronization function.

OSCILLATION AMPLIFIERS (XIN, XOUT, MCK)

The WM8802 features a built-in oscillation amplifier. An oscillation circuit can be configured by connecting a crystal resonator, feedback resistor and load capacitance across XIN and XOUT. When connecting a crystal resonator, use a fundamental crystal resonator. Note that the load capacitance depends on the crystal resonator characteristics.

The output of an external clock supply source should be connected to XIN if the built-in oscillation amplifier is not used as the clock source. In this configuration it is not necessary to connect a feedback resistor between XIN and XOUT.

A 12.288MHz or 24.576MHz clock can be supplied to XIN by setting XINSEL. If input frequency to XIN changes it is necessary to set FSERR to 1, so that when the input data sampling frequency changes, the result is not reflected in the error flag. Since the input frequency is then different to the recommended frequency operation, the encoding result cannot be used for input fs calculations. In this case, the input fs can be calculated by performing decimal division of the count value (FSDAT) with 1/2000th of the XIN input frequency. For details, see Micro-controller Interface section.

Since the XIN clock serves as the reference for internal processing, the XINSEL setting should be completed prior to bi-phase data input.

A clock should be supplied to XIN at the following times:

- (1) Detection of bi-phase data input
- (2) Clock source during PLL unlock
- (3) Input data sampling frequency calculation
- (4) Time definition during input data switching
- (5) External supply clock source (AD converter clock, etc.)

The oscillation amplifier automatically stops when the PLL is locked. However, it can also be set for continuous operation with AMPOPR set to 1. Setting the continuous operation mode enables input data detection and input sampling frequency calculation even when the PLL is locked; this has an effect on the sound quality because the oscillation amplifier and PLL clock coexist.

RERR outputs an error (High) once the PLL is locked if the oscillation amplifier is set to continuous operation by setting AMPOPR to 1. This occurs because, at the same time that the oscillation amplifier goes into the operating state, the fs calculation value that is held when operation is stopped, is reset. This error has no influence on the clock output, but RDATA is muted while this error occurs. Therefore, the AMPOPR[0:1] setting must be completed either prior to bi-phase data input or during PLL unlock.

The oscillation amplifier can be stopped if it is unnecessary. When operation is resumed it is recommended to return to the normal operation after an interval of 10ms or longer to allow the resonator oscillation to stabilise.

XMCK outputs the XIN clock. The XMCK output settings are performed with XMSEL[0:1]. The XIN clock can be set to 1/1, 1/2 or muted output.

No clock is needed for XIN when only using the modulation function. In this case, the built-in oscillation amplifier and frequency divider are used for RMCK, RBCK, and RLRCK clock generation. Input the crystal resonator frequency across XIN and XOUT (if using only the oscillation amplifier) or an external clock to XIN. The potential of digital data input pins RX0 to RX6 should be fixed. The DIR function is stopped using RXOPR and PLLOPR and should not be set at this time. The output clock may also be muted.

MASTER CLOCK AND CLOCK SOURCE SWITCHING

The RMCK, RBCK, and RLRCK, and the SBCK and SLRCK (see below) clock sources can be selected from the following three master clocks.

- (1) PLL source (256fs or 512fs)
- (2) XIN source (12.288MHz or 24.576MHz)
- (3) TMCK source (256fs)

Clock source switching can be done in one of two ways, either by setting the R system and the S system on an interconnected basis or fixing the S system to the XIN source and setting only the R system. This setting is performed using SELMTD, OCKSEL and RCKSEL.

The clock source is automatically switched between PLL clock and XIN clock by locking/unlocking the PLL. The continuity of the clock is maintained at this time. However, if switching the clock source with SELMTD, the continuity of the S system is not maintained.

The clock source can be switched to XIN using OCKSEL and RCKSEL, regardless of the PLL status. The clock source switch command and clock output of the R and S systems are shown below.

SELMTD	R SYSTEM OUTPUT CLOCK	S SYSTEM OUTPUT CLOCK
0	According to OCKSEL	According to OCKSEL
1	According to RCKSEL	Fixed to XIN source

Table 7 Correspondence between Clock Source Switch Commands and Clock Output Pins

SELMTD	OCKSEL	RCKSEL	R SYSTEM CLOCK SOURCE		S SYSTEM CLOCK SOURCE	
			Locked	Unlocked	Locked	Unlocked
0	0	X	PLL	XIN	PLL	XIN
	1	X	XIN	XIN	XIN	XIN
1	X	0	PLL	XIN	XIN	XIN
	X	1	XIN	XIN	XIN	XIN

Table 8 Relationship between Clock Source Switch Commands and Clock Sources when PLL Locked/Unlocked

The TMCK source is selected using EXSYNC. This setting results in the same operation as when 256fs is set with the PLL source (i.e. PLLSEL set to 256fs).

The various clocks are output with the TMCK source as the master clock and the PLL clock status is output if data synchronised with TMCK is input. The XIN source is switched with OCKSEL and RCKSEL. When the TMCK source is not supplied or the input data is not synchronized, the source is switched to the XIN source; this is similar to the PLL source unlocked status.

The PLL status can always be monitored with RERR even after the XIN source is switched. The processed information can also be read with the micro-controller interface regardless of the PLL status.

When the PLL changes from locked to unlocked status, the timing for switching the clock from the PLL source to the XIN source can be changed with XTWT[0:1]. It is recommended to use these commands if noise occurs during clock switching.

CAUTIONS ON SWITCHING CLOCK SOURCE WHILE PLL IS LOCKED

Clock continuity is maintained when switching the clock to the XIN source with SELMTD, OCKSEL, and RCKSEL. RERR outputs an error (High) when the oscillation amplifier is stopped while the PLL is locked (initial setting). The oscillation amplifier goes into the operating state at the same time that the clock is switched to the XIN source and calculation of the input fs (sampling frequency) resumes. The previous fs calculation value is then reset. The processing performs as if the fs value had changed compared to the newly calculated fs value.

The following settings must be performed in order to switch the clock source with SELMTD, OCKSEL and RCKSEL while PLL is locked and maintaining the RERR status.

- (1) Set the oscillation amplifier to the continuous operation mode with AMPOPR[0:1].
- (2) Set with FSERR the mode for not reflecting fs changes to the error flag.

By performing one of the above settings, it is possible to control the RERR change status when switching the clock source with SELMTD, OCKSEL and RCKSEL.

When switching the clock source to XIN (oscillation amplifier stopped and PLL locked), the output clock is output after the oscillation amplifier starts operating. When switching the clock source from XIN to PLL the clock continuity is maintained.

MASTER CLOCK BLOCK DIAGRAM (TMCK, XIN, XOUT, RMCK, XMCK)

The relationships between the three master clocks, switching and the frequency division function are shown below.

The contents in the square brackets [***] of the switch function blocks correspond to the write command names.

Lock/Unlock switching is automatically performed through PLL locking/unlocking.

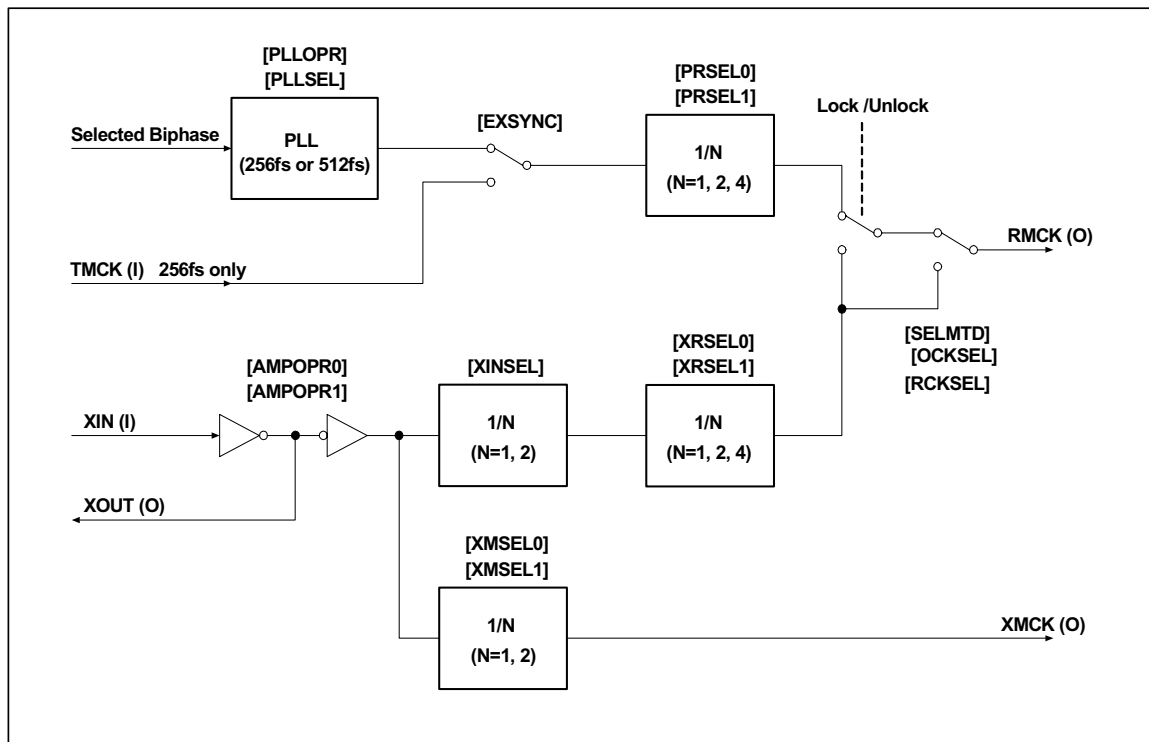


Figure 6 Master Clock Block Diagram

OUTPUT CLOCKS (RMCK, RBCK, RLRCK, SBCK, SLRCK)

The WM8802 features two clock systems in order to supply the various clocks for the A/D converter, DSP and other peripheral devices.

The clock output settings for the R and S systems are set using PRSEL[0:1], XRSEL[0:1], XRBCK[0:1], XRLRCK[0:1], PSBCK[0:1], PSLRCK[0:1], XSBCK[0:1], and XSLRCK[0:1].

(a) Setting range for clock output pins when using the PLL source

- (1) RMCK: 1/1, 1/2, and 1/4 of 512fs or 256fs
- (2) RBCK: 64fs output
- (3) RLRCK: fs output
- (4) SBCK: 128fs, 64fs, and 32fs
- (5) SLRCK: 2fs, fs, and fs/2

(b) Setting range for clock output pins when using the XIN source

- (1) RMCK: 1/1, 1/2, and 1/4 of 12.288MHz or 24.576MHz
- (2) RBCK: 12.288MHz, 6.144MHz, and 3.072MHz
- (3) SBCK: 12.288MHz, 6.144MHz, and 3.072MHz
- (4) RLRCK: 192kHz, 96kHz, and 48kHz
- (5) SLRCK: 192kHz, 96kHz, and 48kHz

The polarity of RBCK, RLRCK, SBCK and SLRCK can be reversed with RBCKP, RLRCKP, SBCKP and SLRCKP.

Clock switching is processed on the rising edge of the RLRCK output after the falling edge of micro-controller interface CE.

OUTPUT PIN NAME	PLL SOURCE		TMCK SOURCE	XIN SOURCE	
	512fs	256fs	256fs	12.288MHz	24.576MHz
RMCK	512fs	256fs	256fs	12.288MHz	24.576MHz
	256fs	128fs	128fs	6.144MHz	12.288MHz
	128fs	64fs	64fs	3.072MHz	6.144MHz
RBCK				12.288MHz	
		64fs		6.144MHz	
				3.072MHz	
RLRCK				192kHz	
		fs		96kHz	
				48kHz	
SBCK		128fs		12.288MHz	
		64fs		6.144MHz	
		32fs		3.072MHz	
SLRCK		2fs		192kHz	
		fs		96kHz	
		fs/2		48kHz	

Table 9 Output Clock Frequencies (Bold Items = Initial Settings)

OUTPUT CLOCKS BLOCK DIAGRAM (RMCK, RBCK, RLRCK, SBCK, SLRCK, XMCK)

The relationships between the output clock and switch function are shown below.

Master Clock Generator in the figure indicates the PLL source, TMCK source or the XIN source.

The contents in the square brackets [***] of the switch function blocks correspond to the write command names.

The broken lines connecting the switches indicate coordinated switching.

Lock/Unlock switching is automatically performed through PLL locking/unlocking.

Master/slave switching is done through demodulation function master/slave function switching.

CLOCK SWITCH TRANSITION SIGNAL OUTPUT (\overline{CKST})

\overline{CKST} outputs Low when the output clock changes during PLL lock/unlock.

In the lock-in stage (PLL locked following the detection of input data) the \overline{CKST} Low pulse falls at the word clock edge generated from the XIN clock. The \overline{CKST} Low pulse rises at the same timing as RERR following the lapse of a given period.

In the unlock stage, the \overline{CKST} Low pulse falls at the same timing as the PLL lock detection signal RERR and rises following a given number of word clocks generated from the XIN clock.

The PLL lock status change and clock change timing is detected by the rising and falling edges of the \overline{CKST} Low pulse.

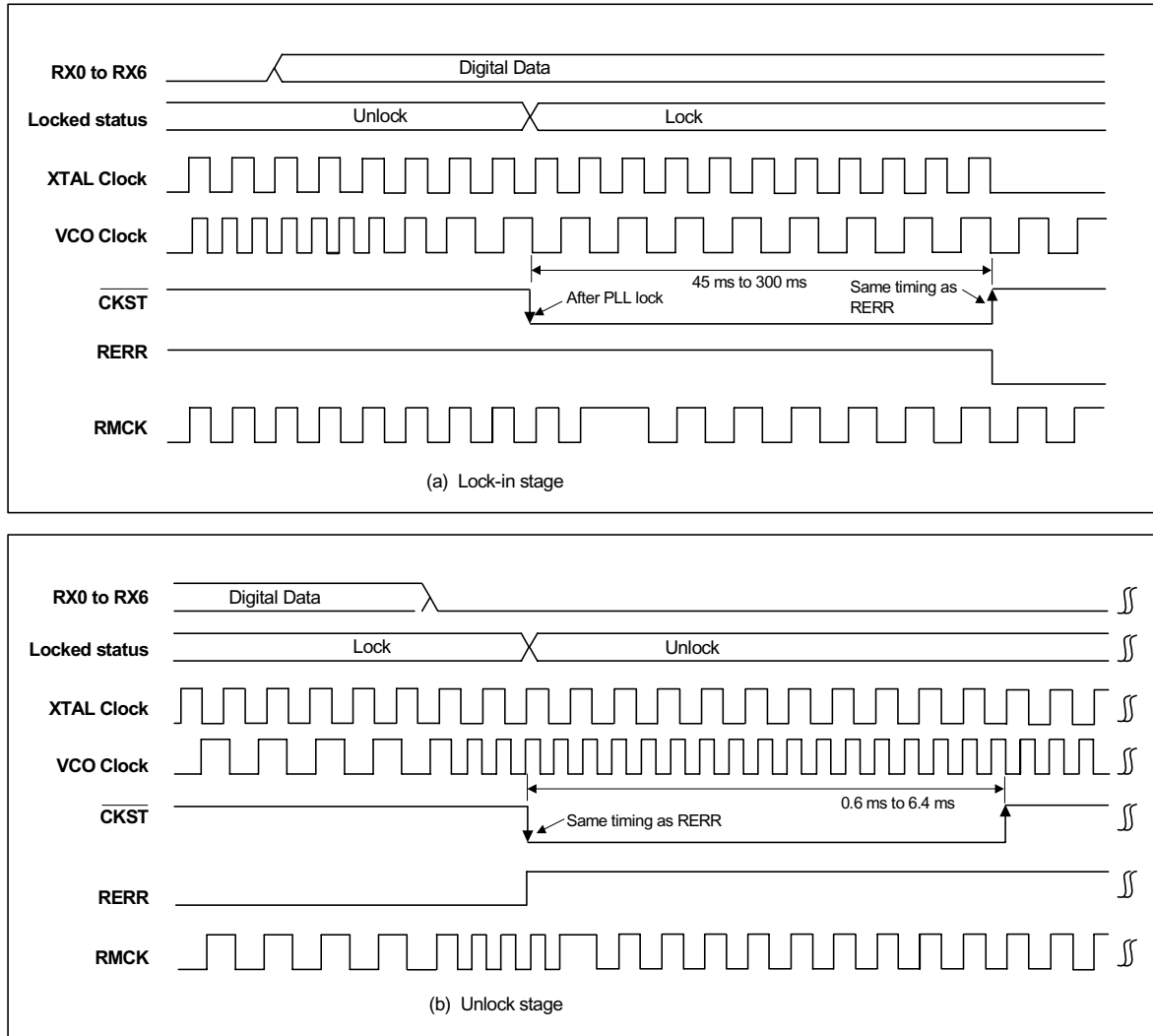


Figure 8 Clock Switch Timing

BI-PHASE SIGNAL INPUT / OUTPUT

BI-PHASE SIGNAL INPUT RECEPTION RANGE

The input data reception range depends on the PLL lock frequency setting set by PLLSEL. The relationship between this setting and the guaranteed reception range is shown below.

PLL OUTPUT CLOCK SETTING	INPUT DATA RECEPTION RANGE
512fs (PLLSEL = 0)	28kHz to 105kHz
256fs (PLLSEL = 1)	28kHz to 195kHz

Table 10 Relationship Between PLL Output Clock Setting and Reception Range (FSLIM[0:1] = 0)

The fs reception range for input data within the above PLL output clock setting range can be controlled. This setting is performed using FSLIM[0:1]. When this function is used, input data that exceeds the setting range is considered as an error and the clock source is automatically switched to the XIN source. The RDATA output data then depends on the RDTSEL setting.

BI-PHASE SIGNAL INPUT/OUTPUT PINS (RX0 TO RX6, RXOUT)

There are 7 digital data input pins. Data modulated with the modulation function can also be selected, therefore selection from a total of 8 signals is possible. However, the pins that can be selected are restricted by the following conditions:

1. The six pins RX0 and RX2 to RX6 are TTL level input pins with 5V input level tolerable.
2. RX1 is a coaxial-compatible input pin with built-in amplifier that can receive up to 200mVp-p data.

The demodulation input and RXOUT output signals can also be selected independently.

1. The demodulation data is selected with RISEL[0:2].
2. The RXOUT output data is selected with ROSEL[0:2].

RXOUT can be muted with RXOFF. Muting is recommended when not using RXOUT in order to reduce clock jitter.

The data input status can be monitored with the RXMON setting. The status of each data input pin is stored in CCB address 0xEA and output registers DO0 to DO7. Since this function uses the XIN clock, the oscillation amplifier must be set to the continuous operation mode when RXMON is set.

Demodulation input pin switching can be performed during PLL unlock using the ULSEL setting. As a result, data switching can be accurately communicated to peripheral devices.

The interval from pin switching through RISEL[0:2] until data is received is about 250μs to 350μs. This function also requires that the oscillation amplifier is set to the continuous operation mode.

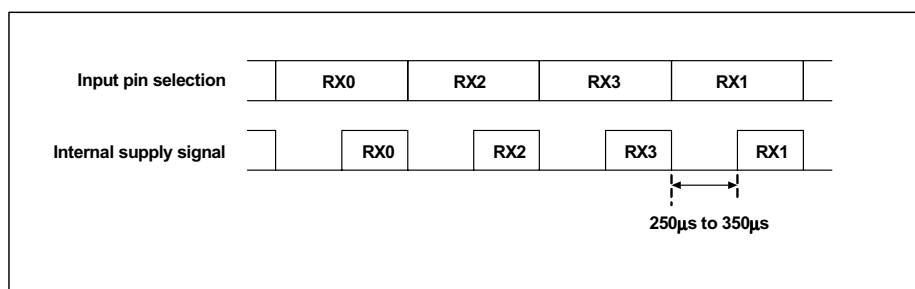


Figure 9 Input Pin Selection Processing via PLL Unlock

BI-PHASE SIGNAL INPUT CIRCUITS (RX0, RX1, RX2)

If RX1, which has a built-in amplifier, is used as a coaxial input signal corruption may occur due to the influence of the adjacent RX0 and RX2 input pins. RX0 and RX2 should be fixed to Low to prevent them from influencing RX1.

The input signal to RX1 is temporarily open if RX1 is selected. The RX0 and RX2 potential must be fixed due to coupling effects. In this case, 5 bi-phase signal input pins can be selected; RX1 and RX3 to RX 6.

If the input signal to RX1 is absolutely fixed to either High or Low then all 7 input pins can be used.

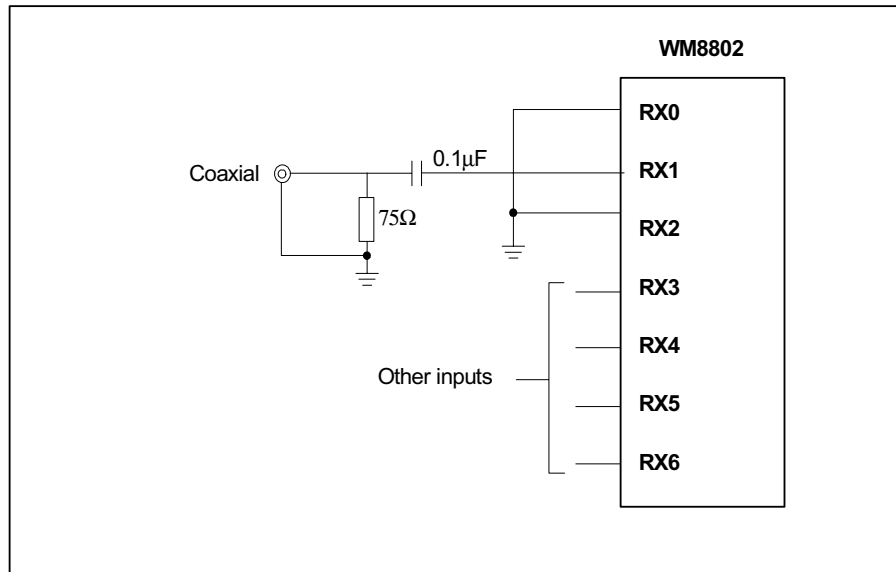


Figure 10 Bi-Phase Signal Input Circuits – Coaxial Input Circuit

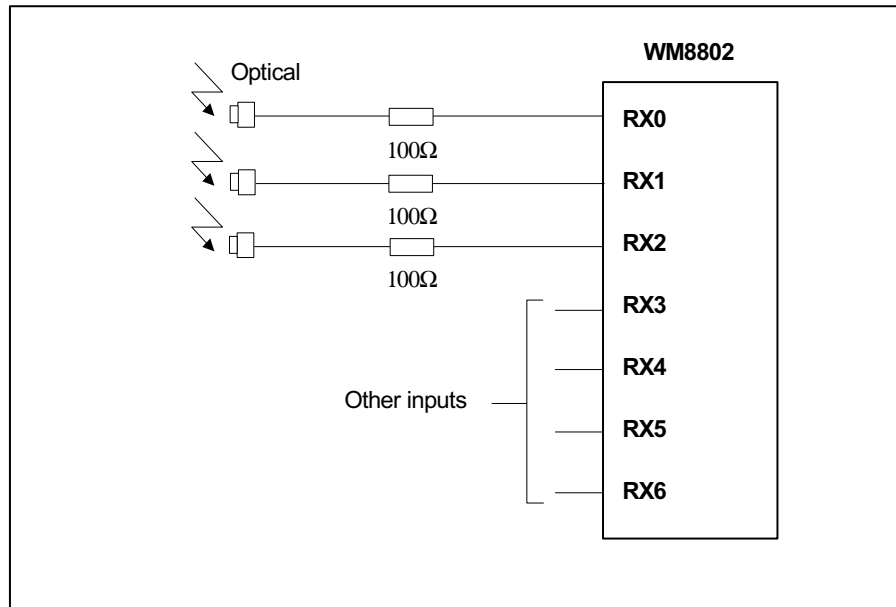


Figure 11 Bi-Phase Signal Input Circuits – Optical Input Circuit

SERIAL AUDIO DATA INPUT/OUTPUT

OUTPUT DATA FORMAT (RDATA)

The output format is set with OFSEL[0:2].

I²S is the initial output format setting.

Right Justified outputs are only valid in master mode.

Output data is output in synchronization with the RLRCK edge immediately after the RERR output becomes Low.

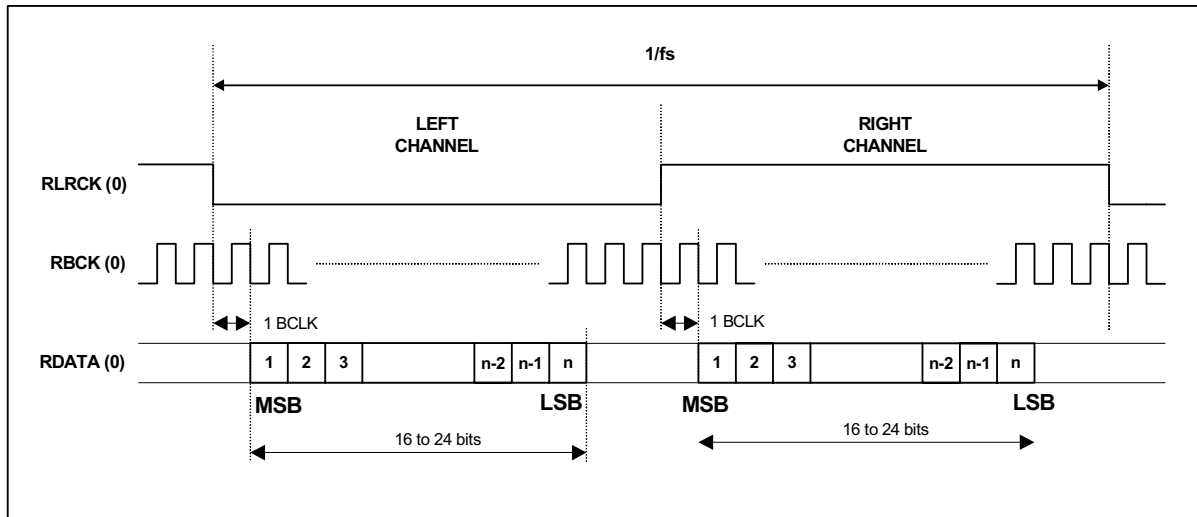


Figure 12 Data Output Timing – I2S

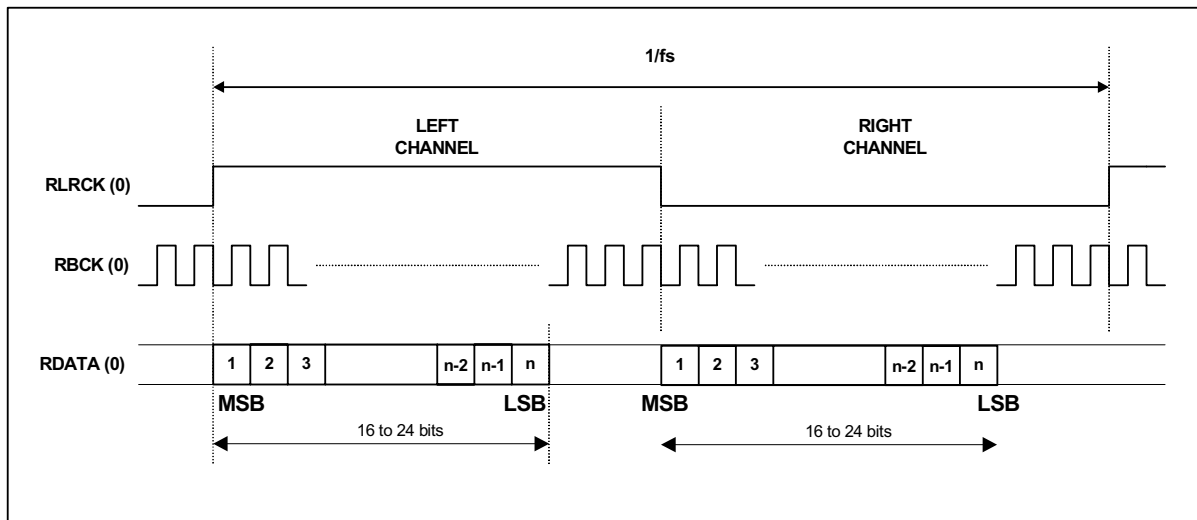


Figure 13 Data Output Timing – Left Justified

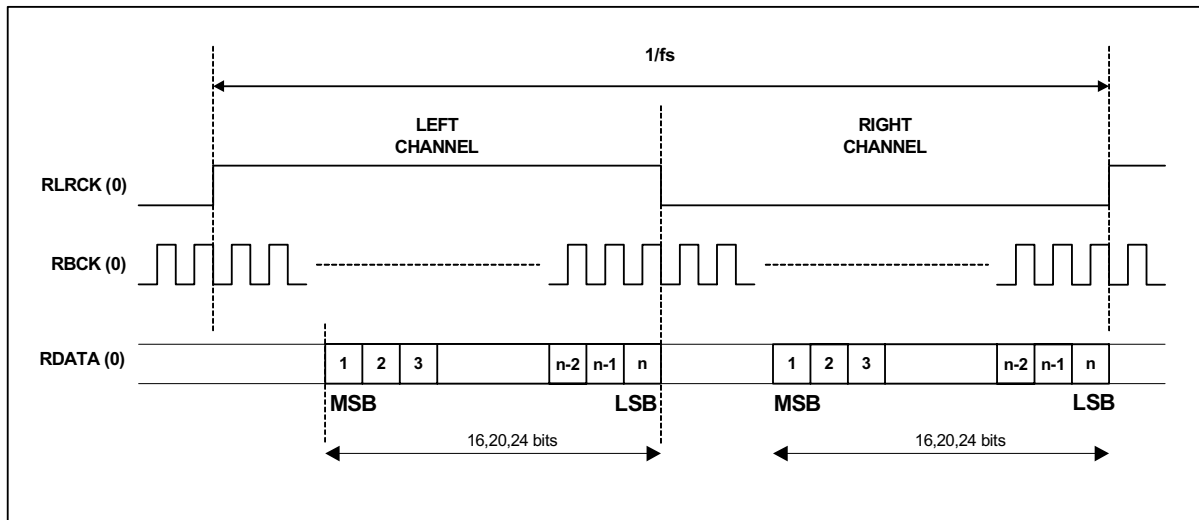


Figure 14 Data Output Timing – Right Justified

SERIAL AUDIO DATA INPUT FORMAT (SDIN)

SDIN is a 24 bit serial digital audio data input pin.

The format of the serial audio data input to SDIN is the same as the demodulation data output format.

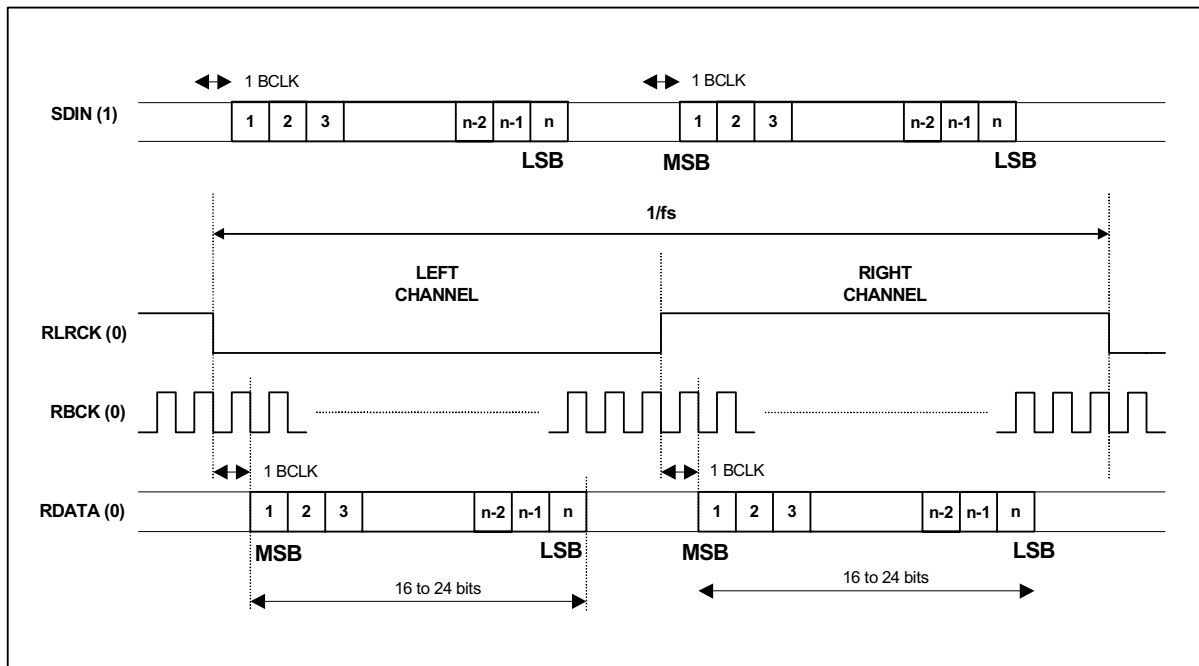


Figure 15 Serial Audio Data Input Timing - I2S Data Input

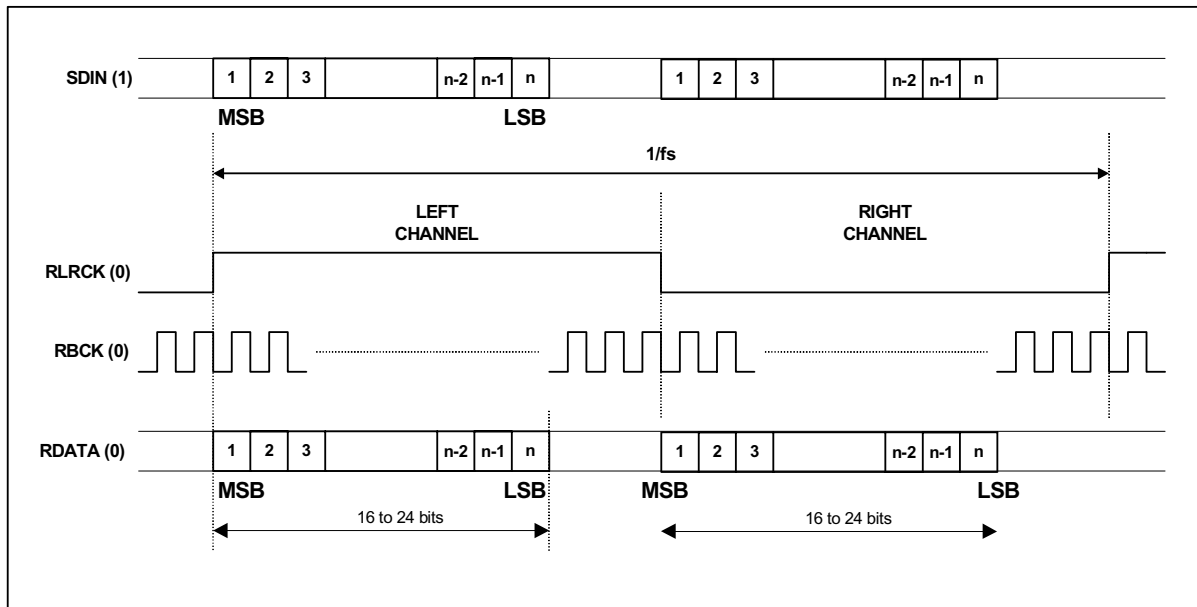


Figure 16 Serial Audio Data Input Timing – Left Justified

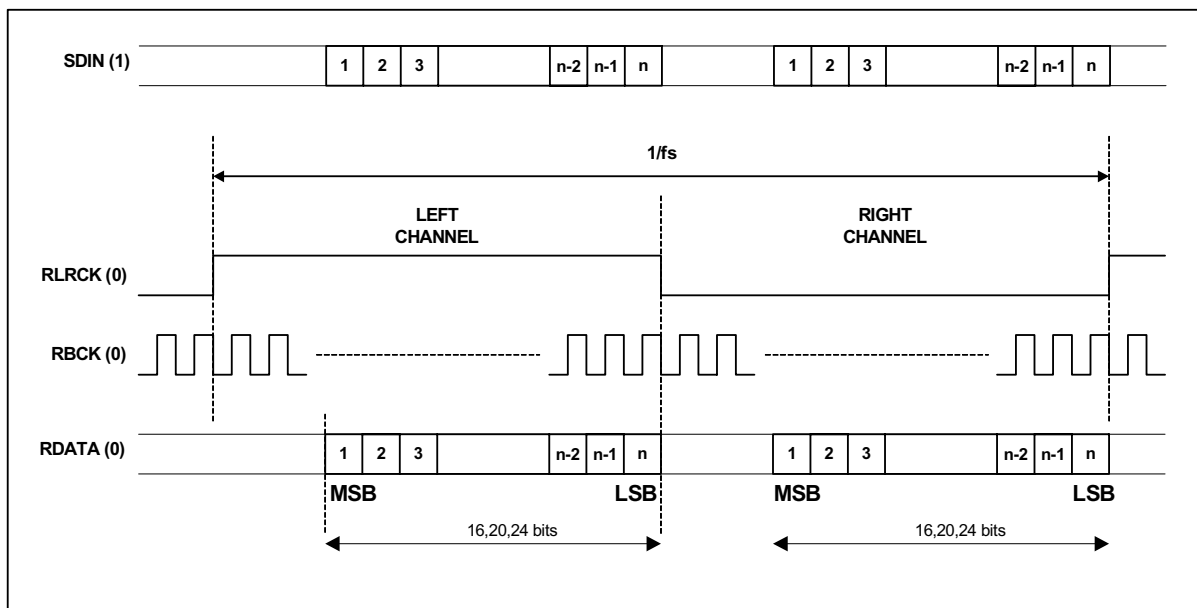


Figure 17 Serial Audio Data Input Timing – Right Justified

OUTPUT DATA SWITCHING (SDIN, RDATA)

RDATA demodulation data is output when the PLL is locked and the SDIN input is selected. This switching is automatically performed according to the locked/unlocked status of the PLL. For details, see the timing charts below.

Switch to a clock source synchronized to the SDIN data when SDIN input data is selected.

The SDIN input data can be output to RDATA regardless of the locked/unlocked status of the PLL using RDTSTA setting.

The RDATA output data can be forcibly muted using the RDTMUT setting.

The PLL continues operating when the clock source is set to XIN using OCKSEL and RCKSEL as long as its operation is not stopped using PLLOPR. The PLL status is continuously output from RERR as long as error output is not forcibly set with RESTA. The processed information can also be read with the micro-controller interface regardless of the PLL status.

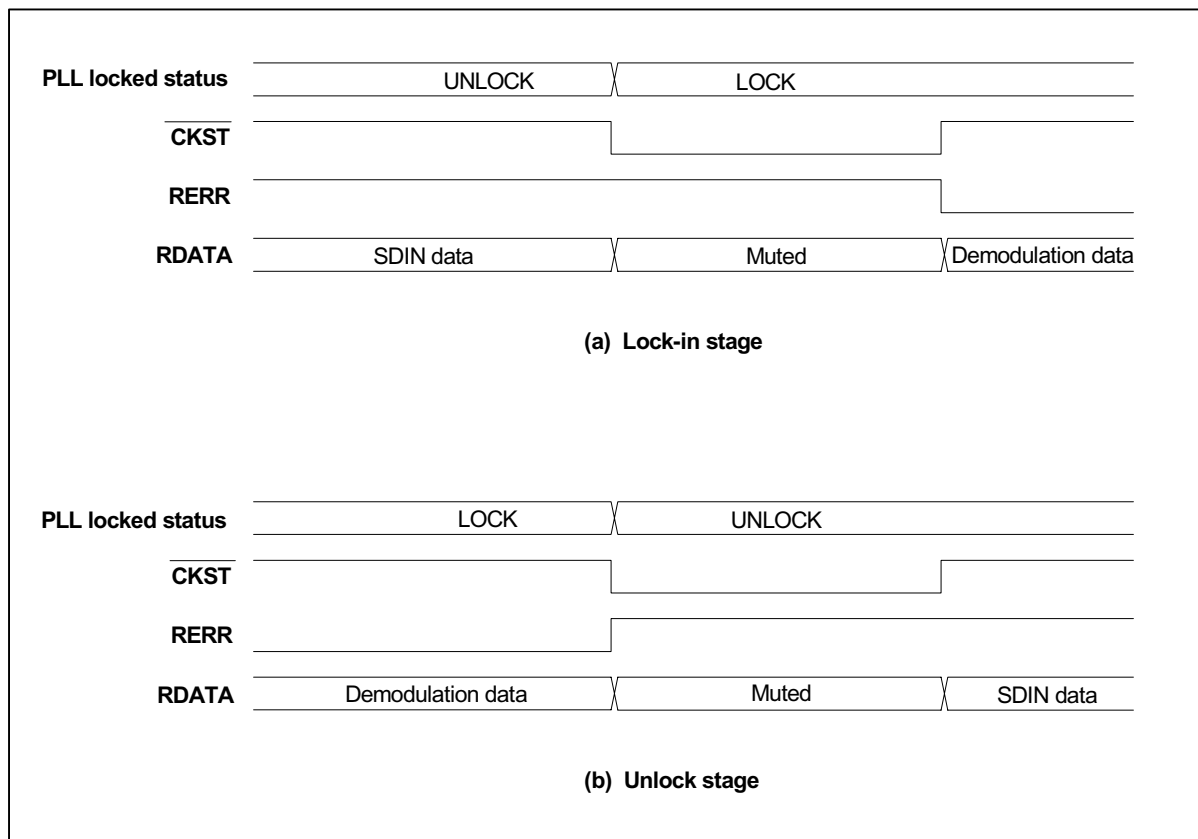


Figure 18 RDATA Output Data Switch Timing Chart

DATA BLOCK DIAGRAM (RX0 TO RX6, TX0, RXOUT, TDATA, RDATA, SDIN)

The RDATA output data is switched to SDIN input data using RDTSEL.

The SDIN input data can be input to the modulation function using TDTSEL.

The modulation output is an input to the Input Switch Multiplexer and can be output from RXOUT. It is possible to use a signal that has been digitized with an A/D converter for digital recording output, etc. using this function.

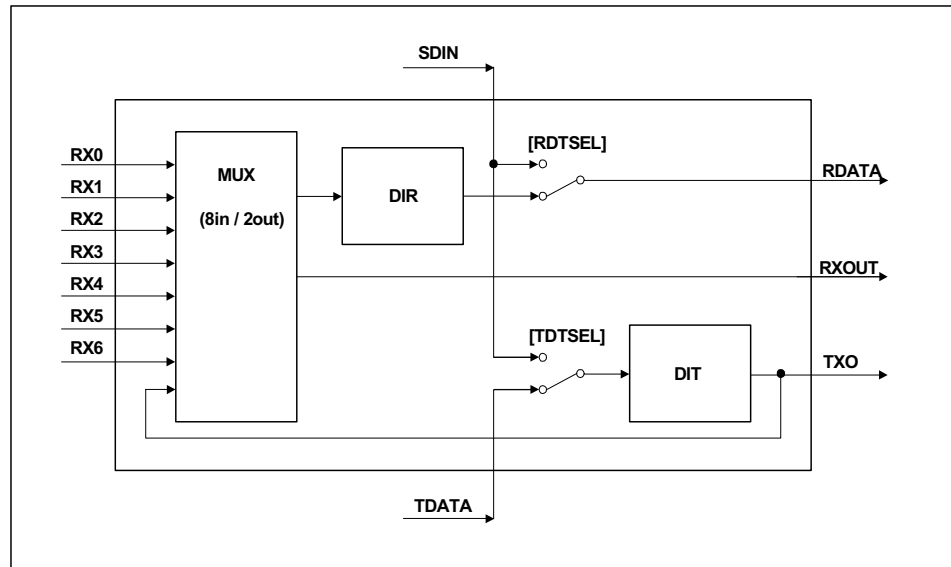


Figure 19 Data Block Diagram

CALCULATION OF INPUT DATA SAMPLING FREQUENCY

The input data sampling frequency is calculated using the XIN clock.

When the oscillation amplifier automatically stops during PLL lock, the input data sampling frequency is calculated during the RERR error period. The calculation is completed at the same time that the oscillation amplifier stops. The value remains unchanged until the PLL becomes unlocked.

In the mode where the oscillation amplifier operates continuously, calculation processing is performed continuously. The calculation results (which follows the input data) can be read even if sampling rate is changed within the PLL capture range, but only for a signal where channel status sampling information does not change.

The calculation result can be read from CCB address 0xEB and output to registers DO4 to DO7 and DO8 to DO15. Registers DO4 through DO7 hold the encoded result, while DO8 through DO15 hold the calculation value. The sampling frequencies that can be calculated are greater than 24kHz as the calculation count value is output in 8-bit units. For details, see section Micro-controller Interface.

ERROR OUTPUT PROCESSING

LOCK ERROR, DATA ERROR OUTPUT (RERR)

An error flag RERR is output when a PLL lock error or a data error occurs.

Non-PCM data reception can be treated as an error with the RESEL setting.

The RERR output conditions are set using RESTA. Since the PLL status can be output at any time, the PLL status can be monitored even when the clock source is XIN.

PLL LOCK ERROR

The PLL becomes unlocked for input data that has lost bi-phase modulation regularity or input data where preambles B, M, and W cannot be detected.

RERR goes High during the occurrence of a PLL lock error and returns to Low when data demodulation returns to normal. High is maintained between 45ms and 300ms.

The rising and falling edges of RERR are synchronized with RLRCK.

INPUT DATA PARITY ERROR

Input parity errors are detected if there are an odd number of parity bits in input data.

RERR goes High indicating that the PLL is locked if an input parity error occurs 9 or more times in succession. It returns to Low after being High for between 45ms and 300ms.

The error flag output format, for when an input parity error is output 8 times in succession, can be selected using REDER.

OTHER ERRORS

The channel status bits 24 to 27 (sampling frequency) are always read and the data of the previous block is compared with the current data, even if RERR goes Low. The input data sampling frequency is also calculated from the fs clock extracted from the input data and fs calculation value comparison is performed as described above. RERR is instantly made High if a difference is detected, and the same processing as for PLL lock errors is performed.

The PLL causes a lock error when the sampling frequency changes as described above. FSERR can be set to support sources with a variable sampling frequency (for example a CD player with a variable pitch function). No error flag is output if the sampling frequency variation falls within the PLL capture range while using FSERR.

For input data within the reception range, FSERR prevents fs calculation results from being reflected in the error flag that is set using FSLIM[0:1]. RERR goes Low if the PLL status changes to the locked status.

RERR changes to a High output upon detection of non-PCM data input if RESEL is set. The PLL locked status and various output clocks continue to be output according to the input data but the output data is muted.

DATA PROCESSING UPON ERROR OCCURRENCE (LOCK ERROR, PARITY ERROR)

The data processing after the occurrence of an error is described below. If 8 or fewer input parity errors occur in succession transfer data is replaced by the data saved to L-ch and R-ch in the previous frame of PCM audio data. The error data is output as it is if the transfer data is non-PCM data. Non-PCM data is based on data detected prior to occurrence of an input parity error when bit 1 of the channel status goes High.

Output data is muted upon occurrence of a PLL lock error or when a parity error occurs 9 or more times in succession.

For the channel status, the data of the previous block is held in 1-bit units when a parity error occurs.

DATA	PLL LOCK ERROR	INPUT PARITY ERROR (A)	INPUT PARITY ERROR (B)	INPUT PARITY ERROR (C)
RDATA output	Low	Low	Previous value data	Output
fs calculation result	Low	Output	Output	Output
Channel status	Low	Low	Previous value data	Previous value data
Validity flag	Low	Low	Output	Output
User data	Low	Low	Output	Output

Table 11 Data Processing upon Error Occurrence

Notes:

1. Input parity error (A): Occurs 9 or more times in succession
2. Input parity error (B): Occurs 8 or fewer times in succession, in case of audio data
3. Input parity error (C): Occurs 8 or fewer times in succession, in case of non-PCM burst data

Figure 20 shows an example of data processing upon occurrence of a parity error.

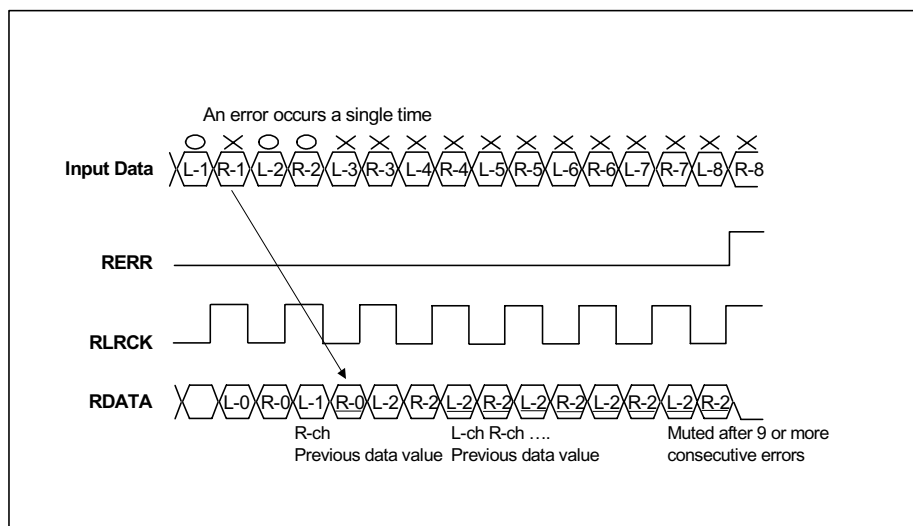


Figure 20 Data Processing Upon Parity Error Occurrence

PROCESSING DURING ERROR RECOVERY

PLL becomes locked and data demodulation begins when preambles B, M and W are detected.

RDATA output data is output from the RLRCK edge after RERR goes Low.

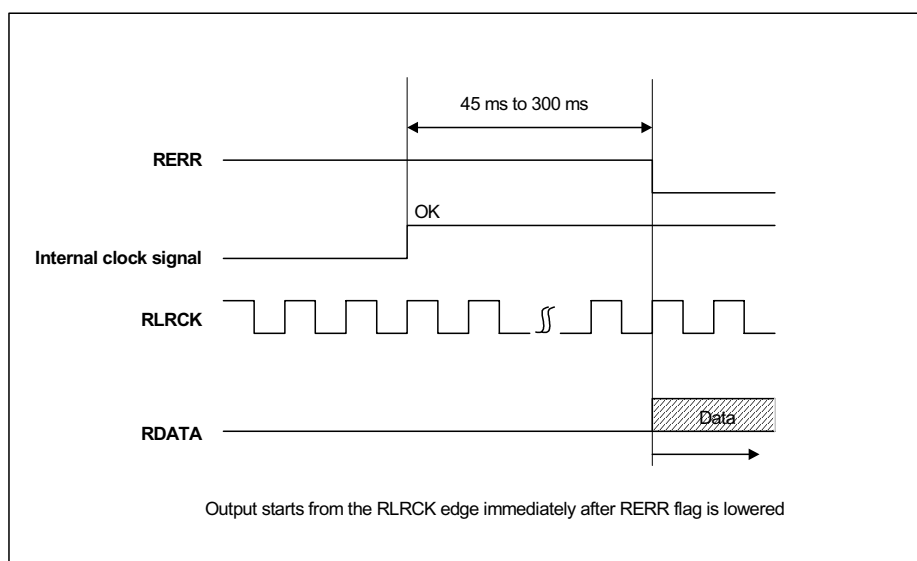


Figure 21 Internal Lock Signal

CHANNEL STATUS OUTPUT

DATA CATEGORY SPECIFICATION BIT 1 OUTPUT ($\overline{\text{AUDIO}}$)

The $\overline{\text{AUDIO}}$ pin outputs bit 1 of the channel status indicating that the input bi-phase data is PCM audio data. $\overline{\text{AUDIO}}$ status is immediately output upon detection of RERR even during High output.

An output ORed with IEC61937 or the DTS-CD/LD detection flag is also possible with AOSEL.

AUDIO	OUTPUT CONDITIONS
0	PCM audio data (CS bit 1 = Low)
1	Non-audio data (CS bit 1 = High)

Table 12 $\overline{\text{AUDIO}}$ Output

EMPHASIS INFORMATION OUTPUT (EMPHA)

The EMPHA pin output indicates that the signal has the presence or absence of 50/15 μ s emphasis for consumer and broadcast studio.

EMPHA status is immediately output upon detection of RERR even during High output.

EMPHA	OUTPUT CONDITIONS
0	No pre-emphasis
1	50/15 μ s pre-emphasis

Table 13 EMPHA Output

OTHER OUTPUTS

VALIDITY FLAG OUTPUT (VO)

The validity flag can be output from the $\overline{\text{AUDIO}}/\text{VO}$ pin by selecting the $\overline{\text{AUDIO}}/\text{VO}$ output with VOSEL.

The validity flags transferred at each sub-frame are output as indicated in the timing diagram below.

VO	OUTPUT CONDITIONS
0	No error (not burst data)
1	Error (May be burst data)

Table 14 VO Output

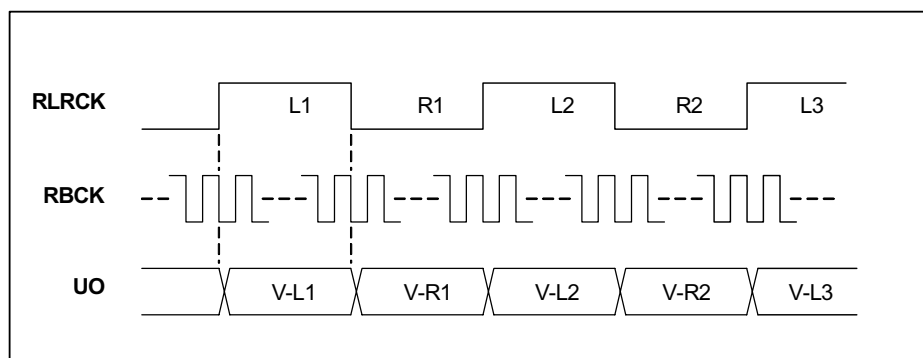


Figure 22 Validity Flag Output Timing

USER DATA OUTPUT (UO)

User data can be output from the EMPHA/UO pin by selecting the EMPHA/UO output using UOSEL.

The user data transferred at each sub-frame is output as indicated in the following timing diagram.

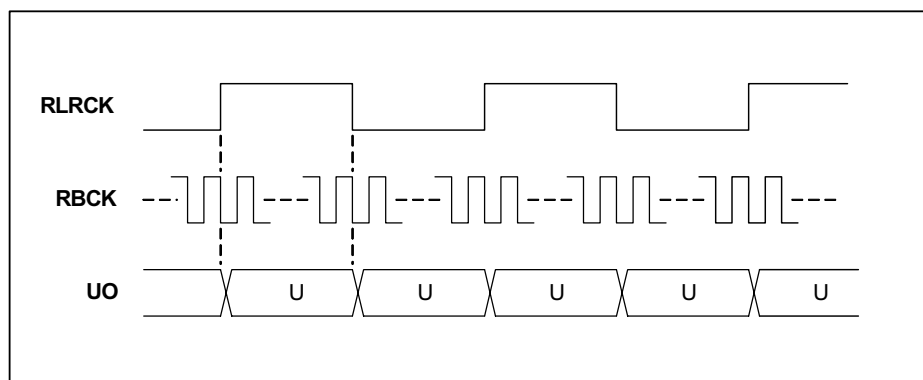


Figure 23 User Data Output Timing

IEC61937, DTS-CD/LD DETECTION FLAG OUTPUT

A function to output IEC61937 and DTS-CD/LD detection flags for non-PCM data is provided.

When the UNPCM non-PCM signal output setting is selected, as well as an indication on the AUDIO pin, an interrupt signal is output from INT upon detection of an IEC61937 or DTS-CD/LD sync signal. Non-PCM signal details can be known by reading this information from the output register.

The IEC61937 sync signal is detected and output when channel status bit 1 is non-PCM data ("1"). The IEC61937 sync signal is not output if bit 1 is PCM data ("0").

DTS-CD/LD sync signal detection is done based on the sync pattern and the base frequency. In the case of DTS-ES data detection, output is performed when the DTS5.1 channel sync signal is detected and the DTS-ES sync pattern has been verified.

The IEC61937 and DTS-CD/LD detection flags are cleared when fs has changed or upon occurrence of a PLL lock error or data error.

Since the DTS sync signal is provided within the audio data, digital data with the same code as the DTS sync signal may in rare cases exist for regular CD/LD records that are not recorded in the DTS format. Protection using the sync pattern or base frequency is provided so that such data is not misinterpreted as DTS-CD/LD detection flags. The detection sequence is shown below.

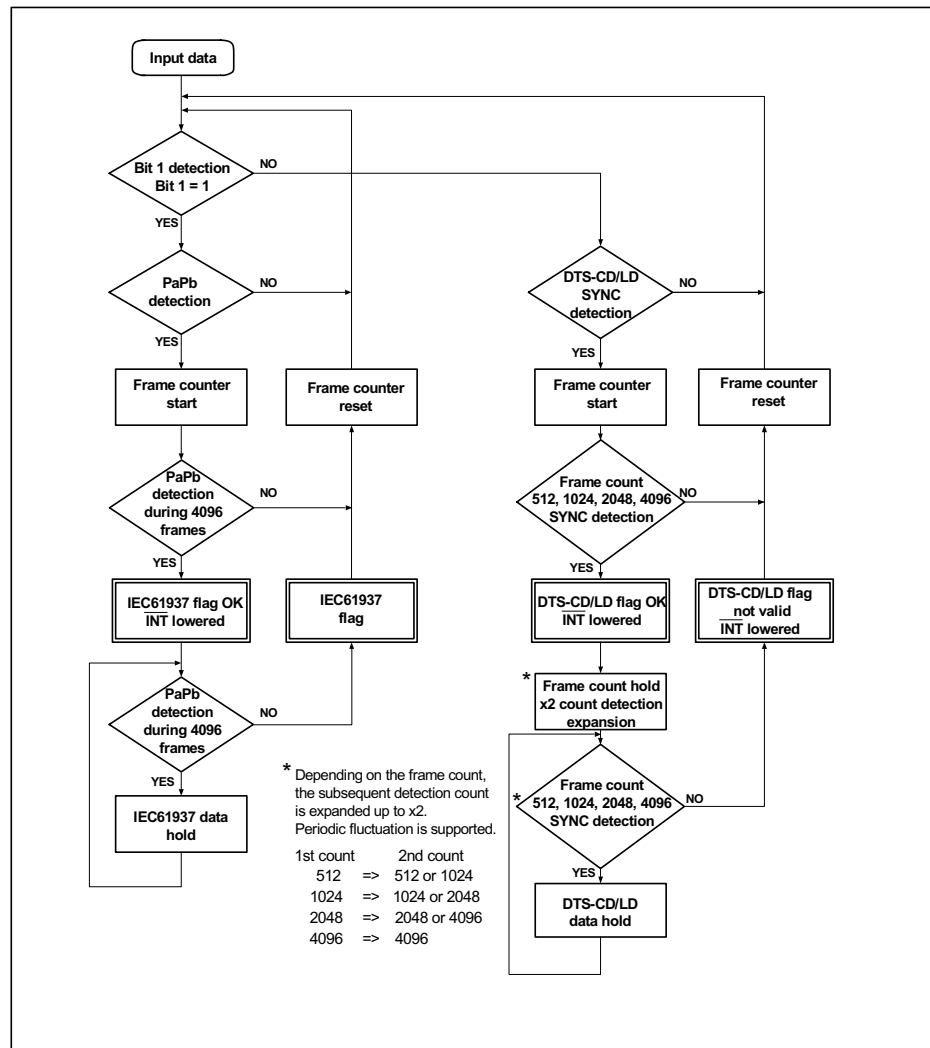


Figure 24 Detection Flag Output Flowchart

DESCRIPTION OF MODULATION FUNCTION AND GENERAL-PURPOSE I/O

MODULATION FUNCTION USAGE METHOD

INITIAL SETTING

The modulation function and general-purpose I/O port function cannot be used simultaneously because they share the same pins. INT should be pulled down with a 10kΩ resistor to select the modulation function. For the setting method, see page 10.

In the initial setting, the modulation function is stopped. The modulation function can be set using TXOPR.

DATA OUTPUT (TMCK, TBCK, TLRCK, TDATA, TXO)

Bi-phase modulated data is output from TXO by inputting a 256fs clock to TMCK, 64fs clock to TBCK, fs clock to TLRCK and audio data to TDATA.

The polarity of the TLRCK clock is set using TXLRP.

Input data can be modulated in the sampling range of 32kHz to 192kHz, TMCK rate of 4MHz to 25MHz and up to 24 bit data.

The initial value for the input data format is I²S. Switching to Left Justified format is set using TXDFS.

For the channel status, the first 48 bits of data can be written with the micro-controller interface.

TXO is fixed to Low by setting TXOPR to Stop.

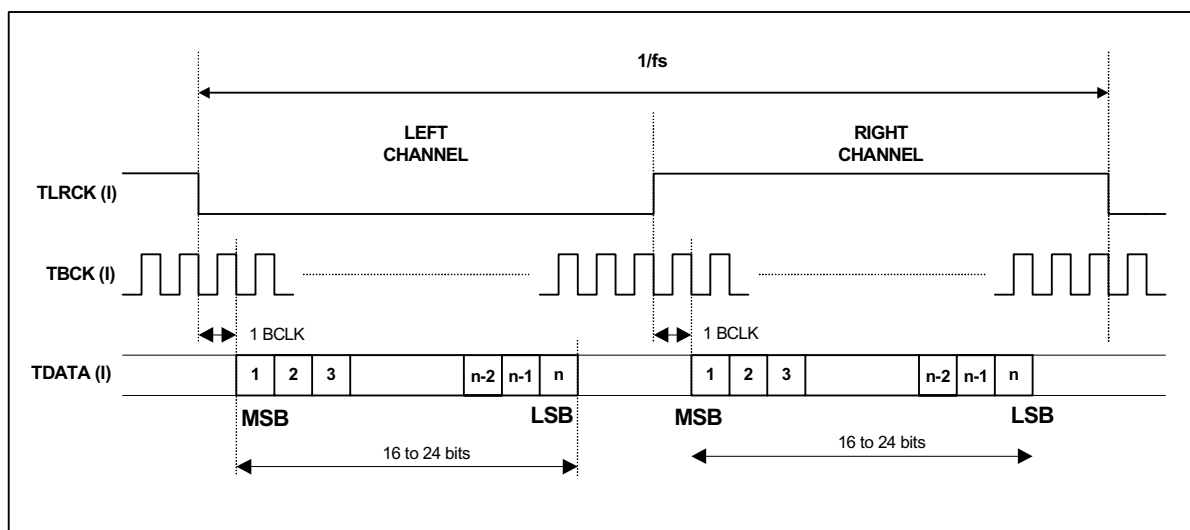


Figure 25 Data Input Timing – I²S Data Input

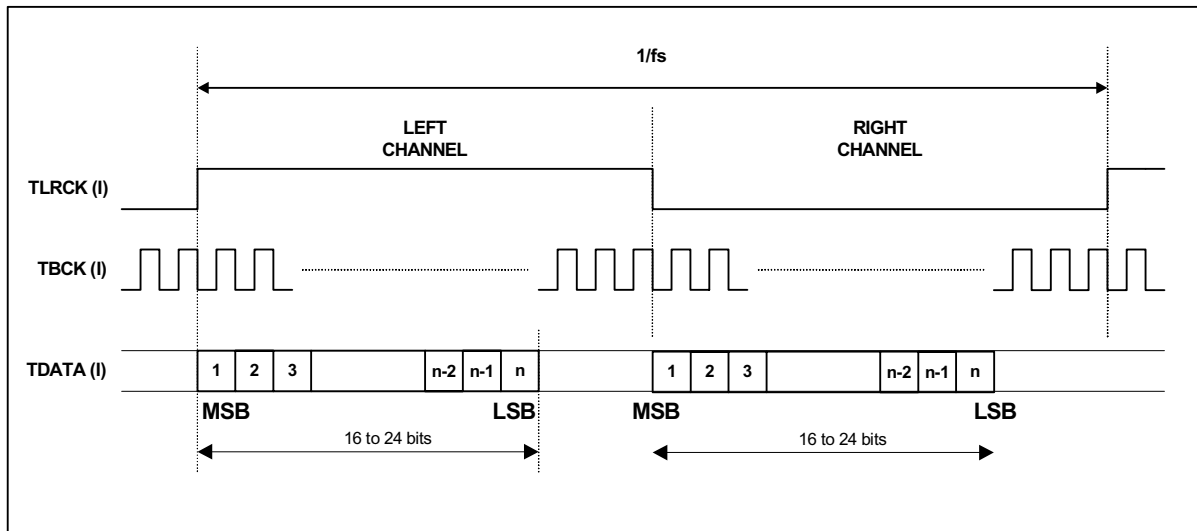


Figure 26 Data Input Timing – Left Justified Data Input

VALIDITY FLAG INPUT (VI)

Validity flags can be input from RX5/VI by switching the RX5/VI input contents with VISEL.

The validity flag write timing is shown below. The validity flag can be written with the micro-controller interface but port settings have priority.

Writing validity flags with the micro-controller interface is done using VMODE.

RX5/VI	OUTPUT CONDITIONS
0	No error
1	Error

Table 15 RX5/VI Input

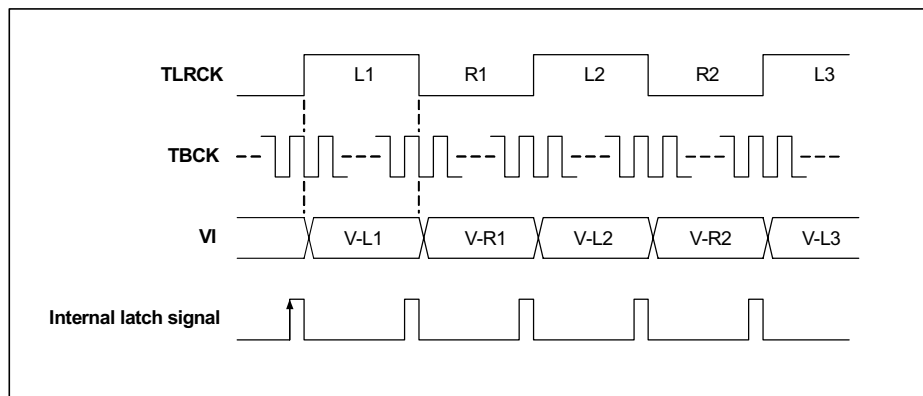


Figure 27 Validity Flag Input Timing

USER DATA INPUT (UI)

User data can be input from RX6/UI by switching the RX6/UI input contents using UISEL.

The user data write timing is shown below.

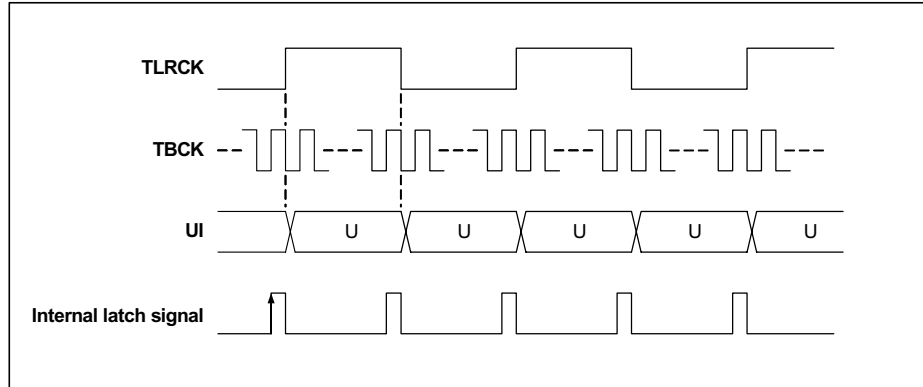


Figure 28 User Data Input Timing

MODULATED OUTPUT OF SDIN INPUT DATA

SDIN input data is modulated and can be output from TXO and RXOUT.

The setting to modulate SDIN input data is set using TDTSEL.

A clock should be input to synchronize SDIN to TMCK, TBCK and TLRCK.

Match the SDIN input data format to the setting used during modulation processing.

MONAURAL OUTPUT

It is possible to output the data of only one input data channel at the input rate of $f_s/2$ with TXMOD[0:1].

This operation maintains the bi-phase modulation regularity but there is no correlation between the data and preambles.

Channel status write is synchronized with the output rate.

The validity flag and user data are written in frame units. Input the same data to the L and R channels.

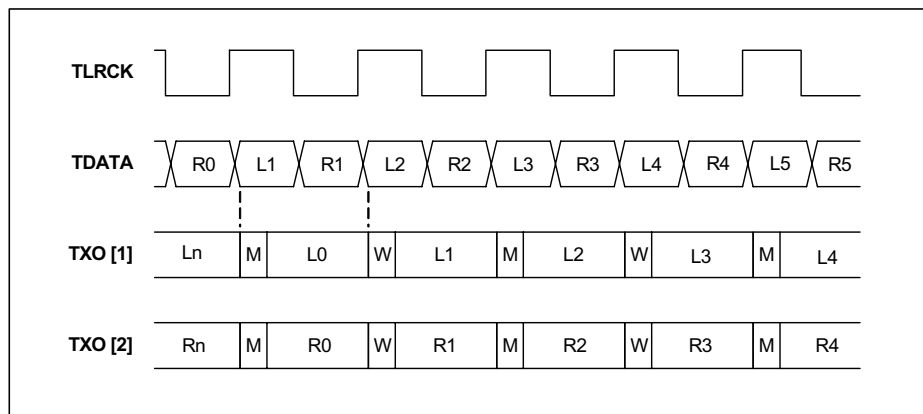


Figure 29 Modulation of Data of Single Channel

GENERAL PURPOSE I/O (GPIO0, GPIO1, GPIO2, GPIO3, GPIOEN)**INITIAL SETTINGS**

The modulation function and general-purpose parallel I/O's share the same pins and therefore cannot be used simultaneously. $\overline{\text{INT}}$ should be pulled down with a 10k Ω resistor to use the general-purpose I/O's. For the setting method, see page 10.

The general-purpose parallel I/O output function performs parallel conversion of the serial data input from the micro-controller interface and outputs the resulting data from GPIO0 GPIO1, GPIO2 and GPIO3. The input function saves the parallel data input to GPIO0, GPIO1, GPIO2, and GPIO3 to internal registers and reads the contents of these registers with the micro-controller interface.

It is not possible to mix the 4 bit general-purpose I/O's as inputs and outputs at the same time. Switching between input and output is done using GPIOEN. The general-purpose I/Os all become input pins when GPIOEN is High and all output pins when GPIOEN is Low.

INPUT/OUTPUT SETTINGS

Data handling for general-purpose I/O is performed using the micro-controller interface and write/read registers.

General-purpose I/O write settings (Micro-controller → Write register → General-purpose I/O output)

1. Set GPIOEN to Low to output data from general-purpose I/O's.
2. Set the data to be output to CCB address 0xE8, command address 0x10 and input registers DI12 to DI15.
3. During write operation, make sure "0" is written to modulation function setting registers DI8 to DI11.
4. The data written to PI0 to PI3 is output from the general-purpose I/O's.

General-purpose I/O read settings (General-purpose I/O input → Read register → Micro-controller)

1. Set GPIOEN to High to input data to general-purpose I/O's.
2. The input data is saved to CCB address 0xEB and output registers DO0 to DO3.
3. Data can be sent to the micro-controller by reading GPO0 to GPO3.

MICRO-CONTROLLER INTERFACE ($\overline{\text{INT}}$, CL, CE, DI, DO)

DESCRIPTION OF MICRO-CONTROLLER INTERFACE

INTERRUPT OUTPUT ($\overline{\text{INT}}$)

Interrupts are output when a change has occurred in the PLL lock status or output data information.

Interrupt output is determined by the register that selects the interrupt source, the $\overline{\text{INT}}$ pin that outputs that state transition and the registers that store the interrupt source data.

When $\overline{\text{INT}}$ is set output High, the occurrence of an interrupt will set $\overline{\text{INT}}$ output Low. $\overline{\text{INT}}$ returns High after interrupt Low as dictated by the INTOPF setting.

INTOPF can be set to hold the Low pulse for a certain period and then clear it (to High) or clear it at the same time that the output register is read.

The interrupt sources can be selected from among the following items in Table 16. Multiple sources can be selected at the same time with the contents of CCB address 0xE8 and command address 0x08. $\overline{\text{INT}}$ outputs the result of ORing (addition) the selected interrupt sources.

$\overline{\text{INT}}$ output = (selected source 1) + (selected source 2) + ... + (selected source n)

NO.	COMMAND NAME	DESCRIPTION
1	ERROR	Output when RERR pin status has changed
2	INDET	Output when input data pin status has changed (Oscillation amplifier operation condition)
3	FSCHG	Output when input fs calculation result has changed. (Output amplifier condition)
4	CSRNW	Output when channel status data of first 48 bits has changed
5	UNPCM	Output when $\overline{\text{AUDIO}}$ pin status has changed
6	PCRNW	Output when burst preamble Pc has been updated
7	SLIPO	Output when data is read twice during slave setting and missing data is detected
8	EMPF	Output when emphasis information has changed

Table 16 Interrupt Source Setting Contents

The set interrupt source contents are saved to output registers DO8 to DO15 of CCB address 0xEA. The status of the RERR and $\overline{\text{AUDIO}}$ pins is output when the read registers for source items 1 and 5 are read. Except for source items 1 and 5, other data is saved to the registers upon occurrence of an interrupt source.

The oscillation amplifier must be set to the continuous operation mode for source items 2 and 3 when monitoring is performed even while the PLL is locked.

Following the occurrence of an interrupt from $\overline{\text{INT}}$, the interrupt is cleared at the same time that the output registers 0xEA is read.

In the interrupt Low pulse output mode the $\overline{\text{INT}}$ pulse width is between 1/2fs and 3/2fs for one interrupt pulse.

CCB FORMAT

Function settings as well as information writing and reading are performed by the micro-controller interface.

The data format of the micro-controller interface conforms to Sanyo's original serial bus format (CCB). Tri-state instead of open-drain is employed for the data output format.

Data input/output is performed following CCB address input. See the input/output timing chart

REGISTER INPUT/OUTPUT CONTENTS	R/W	CCB ADDRESS	B0	B1	B2	B3	A0	A1	A2	A3
Function setting data input	write	0xE8	0	0	0	1	0	1	1	1
CS data input	write	0xE9	1	0	0	1	0	1	1	1
Interrupt data output	read	0xEA	0	1	0	1	0	1	1	1
fs data output	read	0xEB	1	1	0	1	0	1	1	1
CS data output	read	0xEC	0	0	1	1	0	1	1	1
Pc data output	read	0xED	1	0	1	1	0	1	1	1

Table 17 Relationship between Register Input/Output Contents and CCB Addresses

DATA WRITE METHOD

Input is performed in the following sequence: CCB addresses of A0 to A3 and B0 to B3, chip addresses of DI0 and DI1, command addresses of DI4 to DI7 and data of DI8 to DI15. DI2 and DI3 are reserved for the system and should always be set to "0".

For the chip addresses, DI0 corresponds to CAL (low-order) and DI1 corresponds to CAU (high-order).

DATA READ METHOD

Read data is output from DO. DO is in the high impedance state when CE is Low and begins outputting at the rising edge of CE after the register address is recognised. DO then returns to the high impedance state at the falling edge of CE.

If DO outputs using multiple WM8802 units are to be shared the DO outputs of the WM8802 can be set to in a high impedance state using DOEN, This will prevent any misreading of registers from an unselected device.

INPUT/OUTPUT TIMINGS

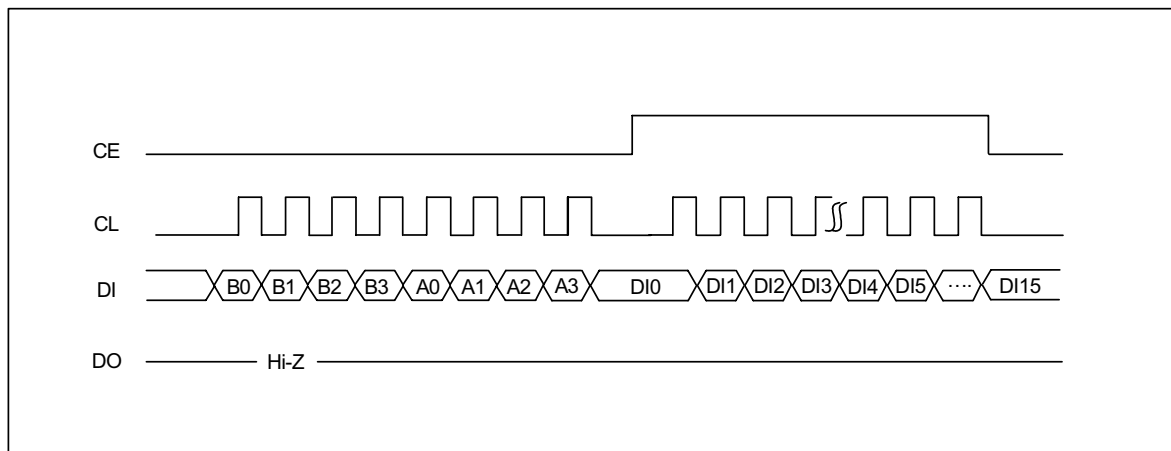


Figure 30 Input Timing Chart (Normal, Low Clock)

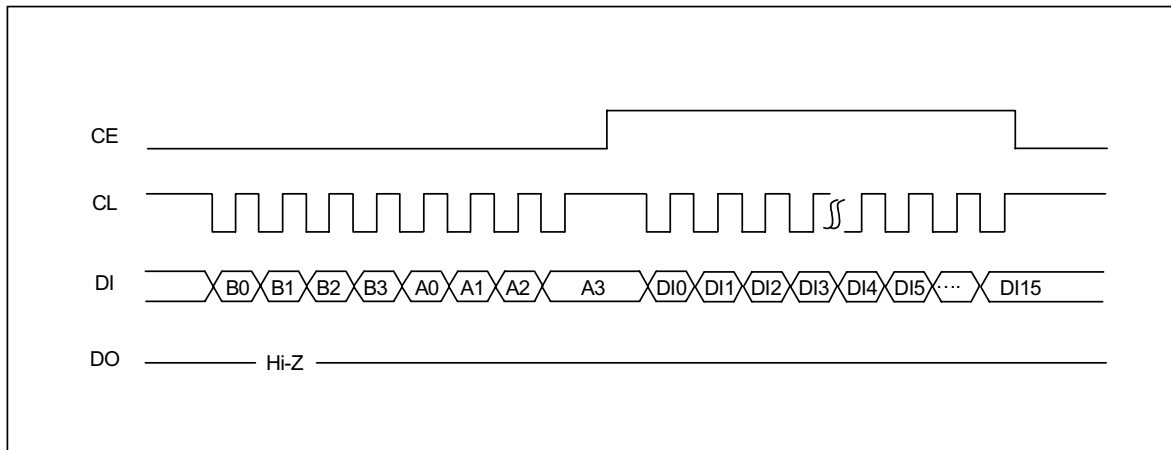


Figure 31 Input Timing Chart (Normal, High Clock)

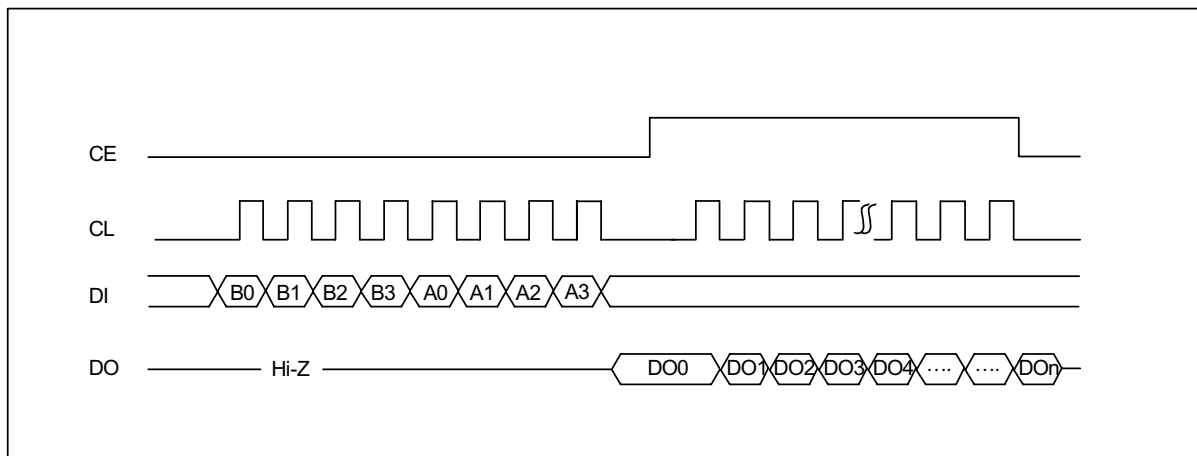


Figure 32 Output Timing Chart (Normal, Low Clock)

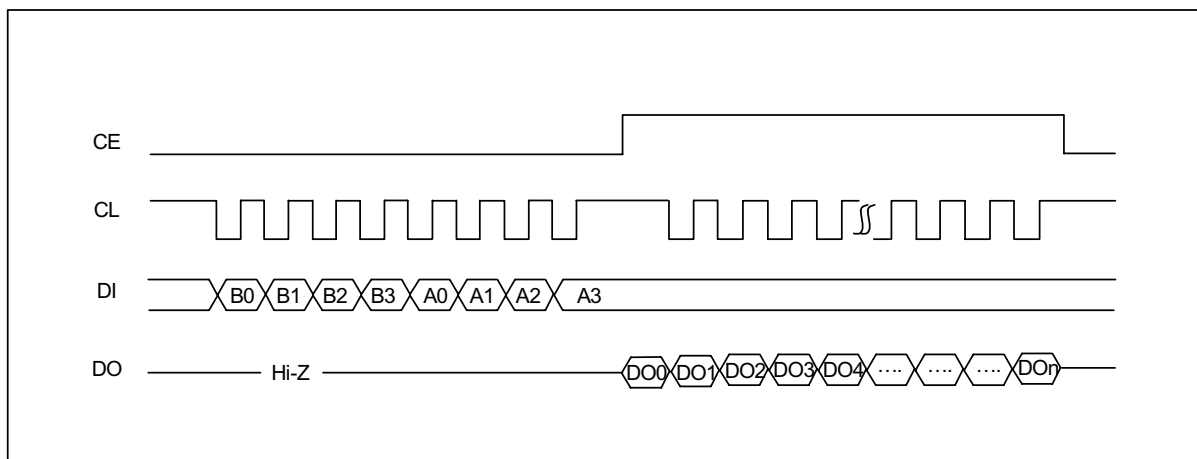


Figure 33 Output Timing Chart (Normal, High Clock)

WRITE DATA

WRITE COMMAND LIST

A list of the write commands is shown below.

To write the commands shown in the following table, set the CCB address to 0xE8.

ADD.	SETTING ITEMS	DI15	DI14	DI13	DI12	DI11	DI10	DI9	DI8
0	All system setting	TESTM	0	TXOPR	RXOPR	INTOPF	0	DOEN	SYSRST
1	Demodulation system setting	0	0	FSLIM1	FSLIM0	RXMON	AOSEL	VOSEL	UOSEL
2	Master clock	AMPOPR1	AMPOPR0	EXSYNC	PLLOPR	XMSEL1	XMSEL0	XINSEL	PLLSEL
3	R system output clock	XRLRCK1	XRLRCK0	XRBACK1	XRBACK0	XRSEL1	XRSEL0	PRSEL1	PRSEL0
4	S system output clock	XSLRCK1	XSLRCK0	XSBCK1	XSBCK0	PSLRCK1	PSLRCK0	PSBCK1	PSBCK0
5	Source switch	0	RDTMUT	RDTSTA	RDTSEL	0	RCKSEL	OCKSEL	SELMTD
6	Data input/output	RXOFF	ROSEL2	ROSEL1	ROSEL0	ULSEL	RISEL2	RISEL1	RISEL0
7	Output format setting	SLRCKP	SBCKP	RLRCKP	RBCKP	0	OFSEL2	OFSEL1	OFSEL0
8	$\overline{\text{INT}}$ source selection	EMPF	SLIPO	PCRNW	UNPCM	CSRNW	FSCHG	INDET	ERROR
9	RERR condition setting	ERWT1	ERWT0	FSERR	RESTA	XTWT1	XTWT0	REDER	RESEL
10	Modulation system setting	P13	P12	P11	P10	0	VMODE	VISEL	UISEL
11	Modulation data setting	0	0	TXMOD1	TXMOD0	TXMUT	TDTSEL	TWLRP	TXDFS
12	TEST	0	0	0	0	0	0	0	0
13	TEST	0	0	0	0	0	0	0	0
14	TEST	0	0	0	0	0	0	0	0
15	TEST	0	0	0	0	0	0	0	0

The shaded parts in command area DI8 to DI15 are reserved bits with an input "0".

Command addresses 0x12 to 0x15 are reserved for testing purposes. Writing to these addresses is prohibited.

WRITE COMMAND DETAILS

All system settings:

REGISTER ADDRESS	DI7	DI6	DI5	DI4	DI3	DI2	DI1	DI0
CCB address: 0xE8; Command address: 0	0	0	0	0	0	0	CAU	CAL
	DI15	DI14	DI13	DI12	DI11	DI10	DI9	DI8
	TESTM	0	TXOPR	RXOPR	INTOPF	0	DOEN	SYSRST

SYSRST	System reset 0: Do not reset (initial value) 1: Reset circuits other than command registers
DOEN	DO output setting 0: Output (initial value) 1: Always high impedance state (read disabled)
INTOPF	$\overline{\text{INT}}$ pin output setting 0: Output Low level during source occurrence (initial value) 1: Output Low pulse during source occurrence
RXOPR	Demodulation function operation setting 0: Operate (initial value) 1: Stop
TXOPR	Modulation function operation setting 0: Stop (initial value) 1: Operate
TESTM	Test mode setting 0: Normal operation (initial value) 1: Enter test mode

RBCK and SBCK output Low and RLCK and SLCK output High when reset through SYSRST or the demodulation function stop setting is performed with RXOPR.

DEMODULATION FUNCTION

System setting:

REGISTER ADDRESS	DI7	DI6	DI5	DI4	DI3	DI2	DI1	DI0
CCB address: 0xE8; Command address: 1	0	0	0	1	0	0	CAU	CAL
	DI15	DI14	DI13	DI12	DI11	DI10	DI9	DI8
	0	0	FSLIM1	FSLIM0	RXMON	AOSEL	VOSEL	UOSEL

UOSEL	EMPHA/UO pin setting 0: EMPHA emphasis output (initial value) 1: UO user data output
VOSEL	$\overline{\text{AUDIO}}$ /VO pin setting 0: $\overline{\text{AUDIO}}$ channel status bit 1 output (initial value) 1: VO validity flag output
AOSEL	Output contents when $\overline{\text{AUDIO}}$ is set with $\overline{\text{AUDIO}}$ /VO pin 0: Channel status bit 1 read (initial value) 1: Channel status bit 1, IEC61937, DTS-CD/LD detection flag output
RXMON	Digital data input status monitoring function setting 0: Do not monitor data input status (initial setting) 1: Monitor data input status
FSLIM [1:0]	Setting of sampling frequency reception range for RX input signal 00: No limit (initial value) 01: $f_s \leq 96\text{kHz}$ 10: $f_s \leq 48\text{kHz}$ 11: Reserved

Master clock setting:

REGISTER ADDRESS	DI7	DI6	DI5	DI4	DI3	DI2	DI1	DI0
CCB address: 0xE8; Command address: 2	0	0	1	0	0	0	CAU	CAL
	DI15	DI14	DI13	DI12	DI11	DI10	DI9	DI8
	AMPOPR1	AMPOPR0	EXSYNC	PLLOPR	XMSEL1	XMSEL0	XINSEL	PLLSEL

PLLSEL	PLL lock frequency setting 0: 512fs (fs ≤ 96kHz commend) (initial value) 1: 256fs
XINSEL	XIN input frequency setting 0: 12.288MHz (initial value) 1: 24.576MHz
XMSEL [1:0]	XMCK output frequency setting 00: 1/1 of XIN input frequency (initial value) 01: 1/2 of XIN input frequency 10: Reserved 11: Muted
PLLOPR	PLL (VCO) operation setting 0: Operate (initial value) 1: Stop
EXSYNC	PLL unused demodulation function (external synchronization function) setting 0: PLL usage normal operation (initial value) 1: PLL unused external synchronization operation (supply 256fs clock to TMCK)
AMPOPR [1:0]	Oscillation amplifier operation setting 00: Automatic stopping of oscillation amplifier during PLL lock (initial value) 01: Normal continuous operation 10: Reserved 11: Stop

If the PLL is stopped with PLLOPR during PLL lock, the output clocks are all muted. The muted status continues even if the PLL becomes unlocked.

RERR goes to into error status, while the PLL is locked, if the permanent continuous operation setting is set using AMPOPR[0:1]. However, the RERR status can be maintained if no PLL error is output and if the sampling frequency changes when FSERR is set.

Sampling frequency calculation is not performed when the oscillation amplifier automatic stop mode is set using AMPOPR[0:1]; even if the input sampling frequency changes within the capture range of the PLL and no lock error occurs. The input data sampling frequency and the fs calculation result may differ. However, if the channel status sampling frequency information is rewritten together with input data changes, this information is reflected to the error flag and fs calculation of the input data is performed. Since the oscillation amplifier continuous operation setting allows permanent fs calculation, sampling frequency changes are always reflected to the error flag.

R system output clock setting:

REGISTER ADDRESS	DI7	DI6	DI5	DI4	DI3	DI2	DI1	DI0
CCB address: 0xE8; Command address: 3	0	0	1	1	0	0	CAU	CAL
	DI15	DI14	DI13	DI12	DI11	DI10	DI9	DI8
	XRLRCK1	XRLRCK0	XRBACK1	XRBACK0	XRSEL1	XRSEL0	PRSEL1	PRSEL0

PRSEL [1:0] RMCK output frequency setting during PLL lock
 00: 1/2 of PLLSEL setting frequency (initial value)
 01: 1/1 of PLLSEL setting frequency
 10: 1/4 of PLLSEL setting frequency
 11: Muted

XRSEL [1:0] RMCK output frequency setting during XIN source
 00: 1/1 of XINSEL setting frequency (initial value)
 01: 1/2 of XINSEL setting frequency
 10: 1/4 of XINSEL setting frequency
 11: Muted

XRBACK [1:0] RBCK output frequency setting during XIN source
 00: 3.072MHz output (initial value)
 01: 6.144MHz output
 10: 12.288MHz output
 11: Muted

XRLRCK [1:0] RLRCK output frequency setting during XIN source
 00: 48kHz output (initial value)
 01: 96kHz output
 10: 192kHz output
 11: Muted

3.072MHz is output from RBCK if the RMCK frequency is set lower than RBCK when the XIN source is used.

S system output clock setting:

REGISTER ADDRESS	DI7	DI6	DI5	DI4	DI3	DI2	DI1	DI0
CCB address: 0xE8; Command address: 4	0	1	0	0	0	0	CAU	CAL
	DI15	DI14	DI13	DI12	DI11	DI10	DI9	DI8
	XSLRCK1	XSLRCK0	XSBACK1	XSBACK0	PSLRCK1	PSLRCK0	PSBCK1	PSBCK0

PSBCK [1:0] SBCK frequency setting during PLL lock
 00: 64fs output (initial value)
 01: 128fs output
 10: 32fs output
 11: Muted

PSLRCK [1:0] SLRCK frequency setting during PLL lock
 00: fs output (initial value)
 01: 2fs output
 10: fs/2 output
 11: Muted

XSBACK [1:0] SBCK frequency setting during XIN source
 00: 3.072MHz output (initial value)
 01: 6.144MHz output
 10: 12.288MHz output
 11: Muted

XSLRCK [1:0] SLRCK frequency setting during XIN source
 00: 48kHz output (initial value)
 01: 96kHz output
 10: 192kHz output
 11: Muted

Clock source; RDA TA output setting:

REGISTER ADDRESS	DI7	DI6	DI5	DI4	DI3	DI2	DI1	DI0
CCB address: 0xE8; Command address: 5	0	1	0	1	0	0	CAU	CAL
	DI15	DI14	DI13	DI12	DI11	DI10	DI9	DI8
	0	RDTMUT	RDTSTA	RDTSEL	0	RCKSEL	OCKSEL	SELMTD

SELMTD	Output clock source switching setting 0: Simultaneously switch R system and S system according to OCKSEL. (initial value) 1: Switch R system according to RCKSEL and fix S system to XIN.
OCKSEL	Clock source setting when SELMTD = 0 0: Use XIN clock as source during PLL lock. (initial value) 1: Use XIN clock as source regardless of PLL status.
RCKSEL	Clock source setting when SELMTD = 1 0: Use XIN clock as source during PLL lock. (initial value) 1: Use XIN clock as source regardless of PLL status.
RDTSEL	RDATA output setting during PLL unlock 0: Output SDIN data during PLL unlock. (initial value) 1: Mute during PLL unlock.
RDTSTA	RDATA output setting 0: According to RDTSEL (initial value) 1: Output SDIN input data regardless of PLL status.
RDTMUT	RDATA mute setting 0: Output data selected with RDTSEL. 1: Muted

When the oscillation amplifier is set to permanent continuous operation using AMPOPR[0:1] or if changes are set not to be reflected to the error flag using FSERR, OCKSEL and RCKSEL can switch the clock source while maintaining the RERR status. However, RERR outputs an error during switching if none of these settings are performed.

A clock synchronized to the SDIN input data is selected to input data to SDIN.

The XIN source can be switched while maintaining the PLL locked status. However, since clock and data output switching can be set individually for each, it is recommended to select mute or SDIN data for the output data during XIN source switching.

If AMPOPR[0:1] is set to automatically stop the oscillation amplifier during PLL locked, XIN source switching from the PLL locked status is executed only after the resonator is oscillating stably. Output data switching is also done at this time according to XIN source switching.

Digital data input/output port setting:

REGISTER ADDRESS	DI7	DI6	DI5	DI4	DI3	DI2	DI1	DI0
CCB address: 0xE8; Command address: 6	0	1	1	0	0	0	CAU	CAL
	DI15	DI14	DI13	DI12	DI11	DI10	DI9	DI8
	RXOFF	ROSEL2	ROSEL1	ROSEL0	ULSEL	RISEL2	RISEL1	RISEL0

RISEL [2:0]

Data demodulation input pin setting

000: RX0 selection (initial value)

001: RX1 selection

010: RX2 selection

011: RX3 selection

100: RX4 selection (However, VI input is performed when VISEL is set.)

101: RX5 selection (However, UI input is performed when UISEL is set.)

110: RX6 selection

111: Modulation function output (TXO output data) selection

ULSEL

Input pin setting via PLL unlock

0: Normal setting (initial value)

1: Input data switch setting via PLL unlock

ROSEL [2:0]

RXOUT output data setting

000: RX0 input data (initial value)

001: RX1 input data

010: RX2 input data

011: RX3 input data

100: RX4 input data

101: RX5/UI input data

110: RX6/UI input data

111: Modulation function output (TXO output data) selection

RXOFF

RXOUT output status setting

0: ROSEL0, ROSEL1, ROSEL2 selection data output (initial value)

1: Low fixed output

ULSEL can be set when the oscillation amplifier is set to continuous operation with AMPOPR[0:1]. It does not operate normally when the oscillation amplifier is stopped.

Output data format setting:

REGISTER ADDRESS	DI7	DI6	DI5	DI4	DI3	DI2	DI1	DI0
CCB address; 0xE8; Command address: 7	0	1	1	1	0	0	CAU	CAL
	DI15	DI14	DI13	DI12	DI11	DI10	DI9	DI8
	SLRCKP	SBCKP	RLRCKP	RBCKP	0	OFSEL2	OFSEL1	OFSEL0

OFSEL [2:0]	Audio data output format setting 000: I ² S data output (initial value) 001: Left Justified data output 010: 24 bit Right Justified data output (master mode only) 011: 20 bit Right Justified data output (master mode only) 100: 16 bit Right Justified data output (master mode only) 101: Reserved 110: Reserved 111: Reserved
RBCKP	RBCK output polarity setting 0: Falling RDATA data change (initial value) 1: Rising RDATA data change
RLRCKP	RLRCK output polarity setting 0: Low period: L-channel data; High period: R-channel data (initial value) 1: Low period: R-channel data; High period: L-channel data
SBCKP	SBCK output polarity setting 0: Falling RDATA data change (initial value) 1: Falling RDATA data change
SLRCKP	SLRCK output polarity setting 0: Low period: L-channel data; High period: R-channel data (initial value) 1: Low period: R-channel data; High period: L-channel data

The data output format and RLRCK output polarity can be set independently. The RLRCH polarity is set according to each data output format.

$\overline{\text{INT}}$ output contents setting:

REGISTER ADDRESS	DI7	DI6	DI5	DI4	DI3	DI2	DI1	DI0
CCB address: 0xE8; Command address: 8	1	0	0	0	0	0	CAU	CAL
	DI15	DI14	DI13	DI12	DI11	DI10	DI9	DI8
	EMPF	SLIPO	PCRNW	UNPCM	CSRNW	FSCHG	INDET	ERROR

ERROR	RERR signal output setting 0: Do not output. (initial value) 1: Output RERR pin status change.
INDET	Input data detection output setting 0: Do not output. (initial value) 1: Output input data pin status change.
FSCHG	PLL lock frequency calculation result update flag output setting 0: Do not output. (initial value) 1: Output PLL lock frequency calculation result update flag.
CSRNW	First 48 channel status bits update flag output setting 0: Do not output. (initial value) 1: Output first 48 channel status bits update flag.
UNPCM	Non-PCM data detection change flag output setting 0: Do not output. (initial value) 1: Output $\overline{\text{AUDIO}}$ pin status change.
PCRNW	Burst preamble Pc update flag output setting 0: Do not output. (initial value) 1: Output burst preamble Pc update flag.
SLIPO	Slip signal output setting during slave operation 0: Do not output. (initial value) 1: Read data output twice and output data loss detection flag.
EMPF	Emphasis detection flag output setting 0: Do not output. (initial value) 1: Output emphasis detection flag.

The channel status update flag compares the first 48 bits of data of the previous block with those of the current block and a flag is output when they are the same.

The burst preamble Pc update flag also compares the 16 bits of data of the previous block with those of the current data and an update flag is output if they match.

RERR output setting:

REGISTER ADDRESS	DI7	DI6	DI5	DI4	DI3	DI2	DI1	DI0
CCB address: 0xE8, Command address: 9	1	0	0	1	0	0	CAU	CAL
	DI15	DI14	DI13	DI12	DI11	DI10	DI9	DI8
	ERWT1	ERWT0	FSERR	RESTA	XTWT1	XTWT0	REDER	RESEL

RESEL	RERR output contents setting 0: PLL lock error or data error (initial value) 1: PLL lock error or data error or non-PCM data
REDER	8 continuous times parity error flag output setting 0: Output during non-PCM data recognition. (initial value) 1: Output only during sub-frame for which error was generated.
XTWT [1:0]	Clock switch wait time setting after PLL unlock 00: Clock switching after approx. 200µs following oscillation amplifier start (initial value) 01: Clock switching after approx. 100µs following oscillation amplifier start 10: Clock switching after approx. 50µs following oscillation amplifier start 11: Clock switching after approx. 400µs following oscillation amplifier start
RESTA	RERR output condition setting 0: Output permanent PLL status (Output PLL status even during XIN source) (initial status) 1: Forcibly output error (Set High forcibly to RERR)
FSERR	Setting of error flag output condition through fs change 0: Reflect fs changes to error flag. (initial value) 1: Do not reflect fs changes to error flag.
ERWT [1:0]	RERR wait time setting after PLL lock 00: Error release preamble B after 48 counts. (initial value) 01: Error release preamble B after 24 counts. 10: Error release preamble B after 12 counts. 11: Error release preamble B after 6 counts.

Non-PCM data is reflected as data defined by AOSEL and matches the $\overline{\text{AUDIO}}$ pin output.

Output data is muted if an error occurs due to non-PCM data RESEL.

The RESTA setting is not reflected to the data and clock output pins.

When FSERR is set the fs calculation result (when the oscillation amplifier is stopped) is not reflected. In this case, fs changes reflect only of channel status fs information.

ERWT[0:1] defines the interval after which an RERR error is cancelled (Low) following a PLL lock. Do not perform this setting if cutting off of the beginning of data is a problem.

MODULATION FUNCTION

System setting, general-purpose I/O data input:

REGISTER ADDRESS	DI7	DI6	DI5	DI4	DI3	DI2	DI1	DI0
CCB address: 0xE8; Command address: 10	1	0	1	0	0	0	CAU	CAL
	DI15	DI14	DI13	DI12	DI11	DI10	DI9	DI8
	PI3	PI2	PI1	PI0	0	VMODE	VISEL	UISEL

UISEL RX6/UI pin setting
0: RX6 demodulation function data input (initial value)
1: UI modulation function user data input

VISEL RX5/VI pin setting
0: RX5 demodulation function data input (initial value)
1: VI modulation function validity flag input

VMODE Modulation function V flag setting
0: Write 0. (initial value)
1: Write 1.

GPI0 Data input during general-purpose I/O GPIO0 output setting
0: Output L. (initial value)
1: Output H.

GPI1 Data input during general-purpose I/O GPIO1 output setting
0: Output L. (initial value)
1: Output H.

GPI2 Data input during general-purpose I/O GPIO2 output setting
0: Output L. (initial value)
1: Output H.

GPI3 Data input during general-purpose I/O GPIO3 output setting
0: Output L. (initial value)
1: Output H.

Set GPIOEN to Low if using general-purpose I/Os GPIO0 to GPIO3 as outputs.

Digital audio input/output setting:

REGISTER ADDRESS	DI7	DI6	DI5	DI4	DI3	DI2	DI1	DI0
CCB address: 0xE8; Command address: 11	1	0	1	1	0	0	CAU	CAL
	DI15	DI14	DI13	DI12	DI11	DI10	DI9	DI8
	0	0	TXMOD1	TXMOD0	TXMUT	TDTSEL	TXLRP	TXDFS

TXDFS	TDATA input data format setting 0: I ² S data input (initial value) 1: MSB-first front-loading data input
TXLRP	TLRCK input clock polarity setting 0: Low period: L-channel data; High period: R-channel data (initial value) 1: Low period: R-channel data; High period: L-channel data
TDTSEL	Input data setting 0: TDATA input data (initial value) 1: SDIN input data
TXMUT	TXO output setting 0: Conversion data output (initial value) 1: Low fixed output
TXMOD [1:0]	Mode setting 00: Normal operation (L-channel, R-channel stereo mode) (initial value) 01: L-channel continuous (time-division mode) 10: R-channel continuous (time-division mode) 11: reserved

CHANNEL STATUS DATA WRITE

CCB address is set to 0xE9 for channel status data write in the modulation function.

DI0 to DI7 are not channel status bits. Always input a chip address to DI0 and DI1. Input "0" to DI2, DI3 and DI7 because they are reserved for the system. Select the channel status data write length with DI4 to DI6. Up to 48 bits can be set, in 8-bit units.

After CE becomes Low, input data is written from preamble B.

DI6	DI5	DI4	INPUT TABLE DATA RANGE
0	0	0	Bit 0 to bit 7
0	0	1	Bit 0 to bit 15
0	1	0	Bit 0 to bit 23
0	1	1	Bit 0 to bit 31

DI6	DI5	DI4	INPUT TABLE DATA RANGE
1	0	0	Bit 0 to bit 39
1	0	1	Bit 0 to bit 47
1	1	0	Reserved
1	1	1	Reserved

Table 18 Relation between Input Data Length Setting Register and Data Length

REGISTER	BIT NO.	DESCRIPTION
DI0	CAL	Lower chip address
DI1	CAU	Higher chip address
DI2	0	Reserved
DI3	0	
DI4	0	Data length setting
DI5	0	
DI6	0	
DI7	0	Reserved
DI8	Bit 0	Application
DI9	Bit 1	Control
DI10	Bit 2	
DI11	Bit 3	
DI12	Bit 4	
DI13	Bit 5	
DI14	Bit 6	Not defined
DI15	Bit 7	
DI16	Bit 8	Category code
DI17	Bit 9	
DI18	Bit 10	
DI19	Bit 11	
DI20	Bit 12	
DI21	Bit 13	
DI22	Bit 14	
DI23	Bit 15	
DI24	Bit 16	Source number
DI25	Bit 17	
DI26	Bit 18	
DI27	Bit 19	

REGISTER	BIT NO.	DESCRIPTION
DI28	Bit 20	Channel number
DI29	Bit 21	
DI30	Bit 22	
DI31	Bit 23	
DI32	Bit 24	Sampling frequency
DI33	Bit 25	
DI34	Bit 26	
DI35	Bit 27	
DI36	Bit 28	Clock accuracy
DI37	Bit 29	
DI38	Bit 30	Not defined
DI39	Bit 31	
DI40	Bit 32	Word length
DI41	Bit 33	
DI42	Bit 34	
DI43	Bit 35	
DI44	Bit 36	Not defined
DI45	Bit 37	
DI46	Bit 38	
DI47	Bit 39	
DI48	Bit 40	
DI49	Bit 41	
DI50	Bit 42	
DI51	Bit 43	
DI52	Bit 44	
DI53	Bit 45	
DI54	Bit 46	
DI55	Bit 47	

Table 19 Input Setting - Modulation Function Channel Status Data Setting

READ DATA

READ COMMAND LIST

- The following items can be read.
 - Digital data input status monitor output
 - Interrupt data output
 - General-purpose I/O input data output
 - fs calculation result, fs counter data (8 bit) output
 - First 48 channel status bit output
 - Burst preamble Pc data output
- CCB address 0XE8 and output registers DO16 to DO23 are for testing.

READ REGISTER NAME	0XEA	0XEB	0XEC	0XED
DO0	RXDET0	GPO0	CS bit 0	Pc bit 0
DO1	RXDET1	GPO1	CS bit 1	Pc bit 1
DO2	RXDET2	GPO2	CS bit 2	Pc bit 2
DO3	RXDET3	GPO3	CS bit 3	Pc bit 3
DO4	RXDET4	FSC0	CS bit 4	Pc bit 4
DO5	RXDET5	FSC1	CS bit 5	Pc bit 5
DO6	RXDET6	FSC2	CS bit 6	Pc bit 6
DO7	RXDET7	FSC3	CS bit 7	Pc bit 7
DO8	OERROR	FSDAT0	CS bit 8	Pc bit 8
DO9	OINDET	FSDAT1	CS bit 9	Pc bit 9
DO10	OFSCHG	FSDAT2	CS bit 10	Pc bit 10
DO11	OCSRNW	FSDAT3	CS bit 11	Pc bit 11
DO12	OUNPCM	FSDAT4	CS bit 12	Pc bit 12
DO13	OPCRNW	FSDAT5	CS bit 13	Pc bit 13
DO14	OSLIPO	FSDAT6	CS bit 14	Pc bit 14
DO15	OEMPF	FSDAT7	CS bit 15	Pc bit 15
DO16	CSBITI	TEST0	CS bit 16	–
DO17	IEC1937	TEST1	CS bit 17	–
DO18	DTS51	TEST2	CS bit 18	–
DO19	DTSES	TEST3	CS bit 19	–
DO20	F0512	TSET4	CS bit 20	–
DO21	F1024	TEST5	CS bit 21	–
DO22	F2048	TEST6	CS bit 22	–
DO23	F4096	TEST7	CS bit 23	–
DO24	–	–	CS bit 24	–
...	–	–	...	–
DO46	–	–	CS bit 46	–
DO47	–	–	CS bit 47	–

Table 20 Read Register 1 (Input detection, interrupt flag, IEC61937 flag, DTS flag)

READ REGISTER OUTPUT CONTENTS

REGISTER ADDRESS	DO7	DO6	DO5	DO4	DO3	DO2	DO1	DO0
CCB address: 0XEA	RXDET7	RXDET6	RXDET5	RXDET4	RXDET3	RXDET2	RXDET1	RXDET0

RXDET0	RX0 input detection 0: No input data to RX0 1: Input data to RX0
RXDET1	RX1 input detection 0: No input data to RX1 1: Input data to RX1
RXDET2	RX2 input detection 0: No input data to RX2 1: Input data to RX2
RXDET3	RX3 input detection 0: No input data to RX3 1: Input data to RX3
RXDET4	RX4 input detection 0: No input data to RX4 1: Input data to RX4
RXDET5	RX5 input detection 0: No input data to RX5 1: Input data to RX5
RXDET6	RX6 input detection 0: No input data to RX6 1: Input data to RX6
RXDET7	Modulation function output TXO data detection 0: No data to modulation function output TXO 1: Data to modulation function output TXO

For RXDET0 to RXDET7 read, RXMON must be set to High first.

READ REGISTER OUTPUT CONTENTS

REGISTER ADDRESS	DO15	DO14	DO13	DO12	DO11	DO10	DO9	DO8
CCB address; 0xEA	DEMPF	OSLIPO	OPCRNW	OUNPCM	OCSRNW	OFSCHG	OINDET	OERROR

OERROR	RERR output (Output status during read) 0: No transfer error in PLL locked status 1: Transfer error in PLL unlocked status
OINDET	Data input pin status change (Clear following read) 0: No change in data input pin status 1: Change in data input pin status
OFSCHG	Input fs calculation update result (clear following read) 0: No input fs calculation update 1: Input fs calculation update
OCSRNW	First 48 bit channel status update result (Clear following read) 0: No update 1: Update
OUNPCM	$\overline{\text{AUDIO}}$ output (Output of status during read) 0: Non-PCM signal not detected 1: Non-PCM signal detected
OPCRNW	Burst preamble Pc update result (Clear following read) 0: No update 1: Update
OSLIPO	Read data twice and detect data loss during slave operation (Clear following read) 0: No detection 1: Two reads, lost data detected
OEMPF	Channel status emphasis detection (Output status during read) 0: No pre-emphasis 1: 50/15 μs pre-emphasis

The status of RERR and $\overline{\text{AUDIO}}$ is read according to RESEL and AOSEL settings regardless of the INT output setting from OERROR and OUNPCM.

READ REGISTER OUTPUT CONTENTS

REGISTER ADDRESS	DO23	DO22	DO21	DO20	DO19	DO18	DO17	DO16
CCB address: 0xEA	F4096	F2048	F1024	F0512	DTSES	DTS51	IEC1937	CSBIT1

CSBIT1	Channel status bit 1 detection 0: PCM 1: Non-PCM
IEC1937	IEC61937 burst preamble detection 0: Pa, Pb not detected 1: Pa, Pb detected
DTS51	DTS-CD/LD 5.1 channel sync signal detection 0: DTS-CD-LD sync signal not detected 1: DTS-CD-LD sync signal detected
DTSES	DTS ES-CD/LD 6.1 channel sync signal detection 0: DTS ES-CD/LD sync signal not detected 1: DTS ES-CD/LD sync signal detected
F0512	DTS-CD/LD IEC60958 frame interval 0: Sync signal not 512 or 1024 frame interval 1: Sync signal is 512 or 1024 frame interval
F1024	DTS-CD/LD IEC60958 frame interval 0: Sync signal not 1024 or 2048 frame interval 1: Sync signal is 1024 or 2048 frame interval
F2048	DTS-CD/LD IEC60958 frame interval 0: Sync signal not 2048 or 4096 frame interval 1: Sync signal is 2048 or 4096 frame interval
F4096	DTS-CD/LD IEC60958 frame interval 0: Sync signal not 4096 frame interval 1: Sync signal is 4096 frame interval

**READ REGISTER 2 (GENERAL-PURPOSE I/O INPUT CONTENTS, FS
CALCULATION RESULT, FS COUNTER DATA)**

READ REGISTER OUTPUT CONTENTS

REGISTER ADDRESS	DO7	DO6	DO5	DO4	DO3	DO2	DO1	DO0
CCB address: 0xEB	FSC3	FSC2	FSC1	FSC0	GPO3	GPO2	GPO1	GPO0

GPO0	Read data output contents during general-purpose I/O GPO0 input setting 0: GPIO0 input = Low 1: GPIO0 input = High
GPO1	Read data output contents during general-purpose I/O GPIO1 input setting 0: GPIO1 input = Low 1: GPIO1 input = High
GPO2	Read data output contents during general-purpose I/O GPIO2 input setting 0: GPIO2 input = Low 1: GPIO2 input = High
GPO3	Read data output contents during general-purpose I/O GPIO3 input setting 0: GPIO3 input = Low 1: GPIO3 input = High
FSC [3:0]	Input data fs calculation result "xxxx": See code table.

FSC3	FSC2	FSC1	FSC0	TARGET FREQUENCY	CALCULATION RANGE (DESIGN VALUE)
0	0	0	0	Out of range	–
0	0	0	1	–	–
0	0	1	0	–	–
0	0	1	1	–	–
0	1	0	0	16kHz	15.4k to 16.6kHz
0	1	0	1	22.05kHz	21.2k to 22.9kHz
0	1	1	0	24kHz	23.1k to 24.9kHz
0	1	1	1	32kHz	30.8k to 33.3kHz
1	0	0	0	44.1kHz	42.4k to 45.8kHz
1	0	0	1	48kHz	46.2k to 49.9kHz
1	0	1	0	64kHz	615k to 66.7kHz
1	0	1	1	88.2kHz	85.4k to 91.7kHz
1	1	0	0	96kHz	93.1k to 100.7kHz
1	1	0	1	128kHz	122.9k to 1335kHz
1	1	1	0	176.4kHz	170.7k to 180.7kHz
1	1	1	1	192kHz	186.2k to 198.1kHz

Table 21 Input fs Calculation Result Code Table (T_a = 25°C, AVDD = DVDD = 3.3 V)

READ REGISTER OUTPUT CONTENTS

REGISTER ADDRESS	DO15	DO14	DO13	DO12	DO11	DO10	DO9	DO8
CCB address: 0xEB	FSDAT7	FSDAT6	FSDAT5	FSDAT4	FSDAT3	FSDAT2	FSDAT1	FSDAT0

FSDAT [7:0] fs counter data output

- FSDAT [7:0] is the fs calculation counter value. The data length is 8 bits, FSDAT0 is LSB and FSDAT7 is MSB.
- The relation between the count value and fs is expressed by the following equation.

$$fs = 6144/FSDAT \text{ (kHz)}$$

- fs calculation is performed using a 6.144MHz clock so the calculation accuracy is determined by this clock.
- The calculation counter value is 8 bit output so the fs that can be calculated is higher than 24kHz.

READ REGISTER 3 (FIRST 48 CHANNEL STATUS BITS)

- The first 48 channel status bits can be read with the demodulation function.
- The read channel status data is a LSB output.
- For read, CCB address is set to 0xEC.
- The channel status data cannot be updated after the CCB address is set.
- The relation between the read registers and the channel status data is shown below.

REGISTER	BIT NO.	CONTENTS
DO0	Bit 0	Application
DO1	Bit 1	Control
DO2	Bit 2	
DO3	Bit 3	
DO4	Bit 4	
DO5	Bit 5	
DO6	Bit 6	Not defined
DO7	Bit 7	
DO8	Bit 8	Category code
DO9	Bit 9	
DO10	Bit 10	
DO11	Bit 11	
DO12	Bit 12	
DO13	Bit 13	
DO14	Bit 14	
DO15	Bit 15	
DO16	Bit 16	Source number
DO17	Bit 17	
DO18	Bit 18	
DO19	Bit 19	
DO20	Bit 20	Channel number
DO21	Bit 21	
DO22	Bit 22	
DO23	Bit 23	

REGISTER	BIT NO.	CONTENTS
DO24	Bit 24	Sampling frequency
DO25	Bit 25	
DO26	Bit 26	
DO27	Bit 27	
DO28	Bit 28	Clock accuracy
DO29	Bit 29	
DO30	Bit 30	Not defined
DO31	Bit 31	
DO32	Bit 32	Word length
DO33	Bit 33	
DO34	Bit 34	
DO35	Bit 35	
DO36	Bit 36	Not defined
DO37	Bit 37	
DO38	Bit 38	
DO39	Bit 39	
DO40	Bit 40	
DO41	Bit 41	
DO42	Bit 42	
DO43	Bit 43	
DO44	Bit 44	
DO45	Bit 45	
DO46	Bit 46	
DO47	Bit 47	

READ REGISTER 4 (BURST PREAMBLE PC DATA)

The burst preamble Pc data can be read with the demodulation function.

The 16 bits of burst preamble Pc data are output as LSB.

For read, the CCB address is set to 0xED.

The relation between the read register and burst preamble Pc data is shown below.

REGISTER	BIT NO.	CONTENTS
DO0	Bit 0	Data type
DO1	Bit 1	
DO2	Bit 2	
DO3	Bit 3	
DO4	Bit 4	
DO5	Bit 5	Reserved
DO6	Bit 6	
DO7	Bit 7	Error
DO8	Bit 8	Data type dependent
DO9	Bit 9	information
DO10	Bit 10	
DO11	Bit 11	
DO12	Bit 12	
DO13	Bit 13	Bit stream number
DO14	Bit 14	
DO15	Bit 15	

BURST PREAMBLE PC FIELD

The burst preamble Pc field is shown below.

For the latest information, check the standards issued by each licensee.

REGISTER	VALUE	CONTENTS
DO4 to 0	0	NULL data
	1	Dolby AC-3 data
	2	Reserved
	3	Pause
	4	MPEG-1, layer 1 data
	5	MPEG-1, layer 2, 3 data, or non-extended MPEG-2
	6	Extended MPEG-2 data
	7	Reserved
	8	MPEG-2, layer 1, low sampling rate
	9	MPEG-2, layer 2, 3, low sampling rate
	10	Reserved
	11	DTS type1
	12	DTS type2
	13	DTS type3
	14	ATRAC
	15	ATRACK2/3
	16 to 26	Reserved
	27	Reserved (MPEG-4, AAC data)
	28	MPEG-2, AAC data
	29 to 31	Reserved
DO6, 5	0	Reserved (fixed to "0")
DO7	0	Error flag indicating effective burst payload
	1	Error flag indicating burst payload error
DO12 to 8		Data type dependent information
DO15 to 13	0	Bit stream No. (fixed to "0")

Table 22 Burst Preamble Pc Field

RECOMMENDED EXTERNAL COMPONENTS

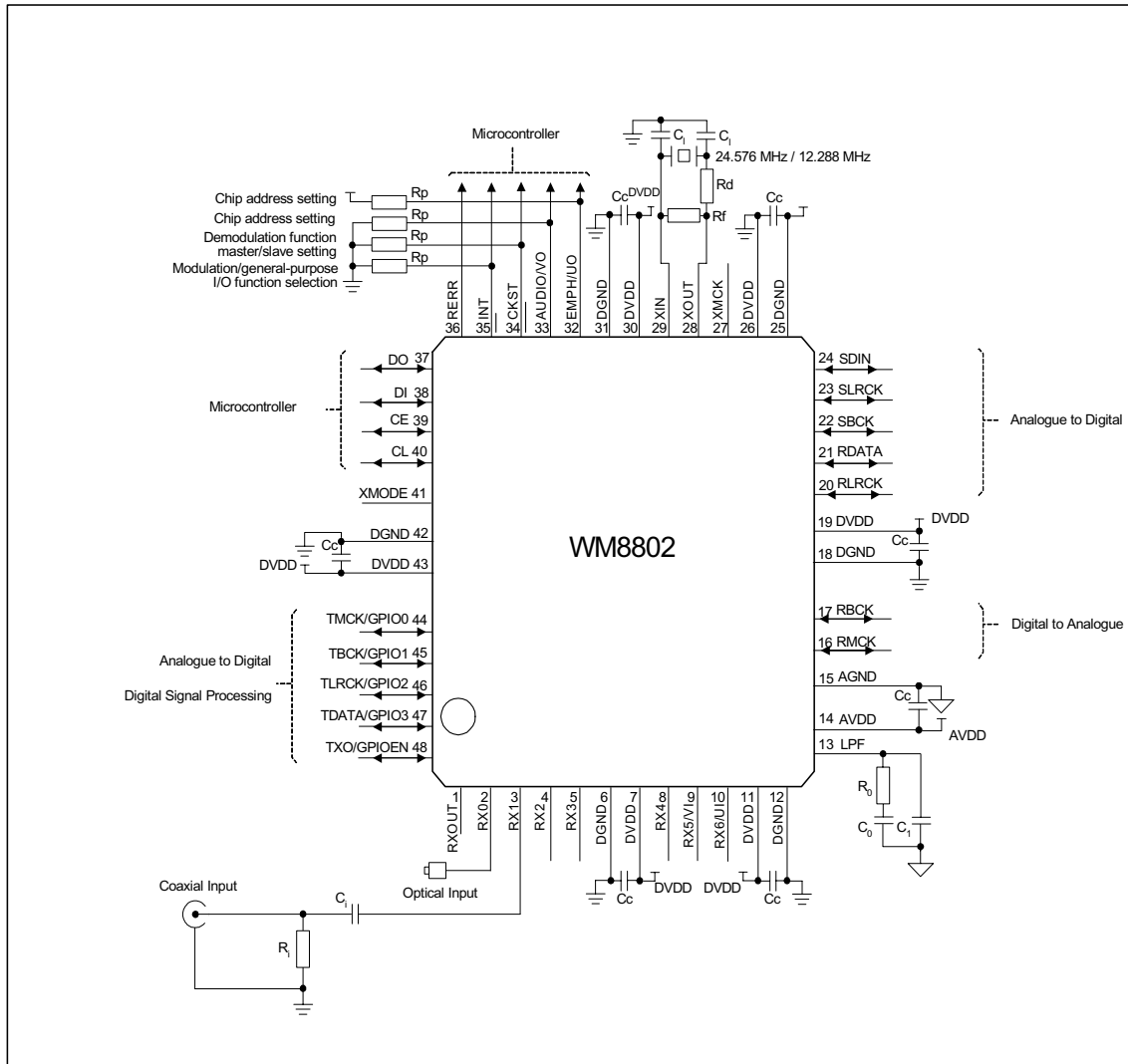


Figure 34 External Component Diagram

SAMPLE APPLICATION

A de-coupling capacitor (0.1 μ F) should be connected as close as possible to the power supply pin. Use a ceramic capacitor with high-frequency characteristics..

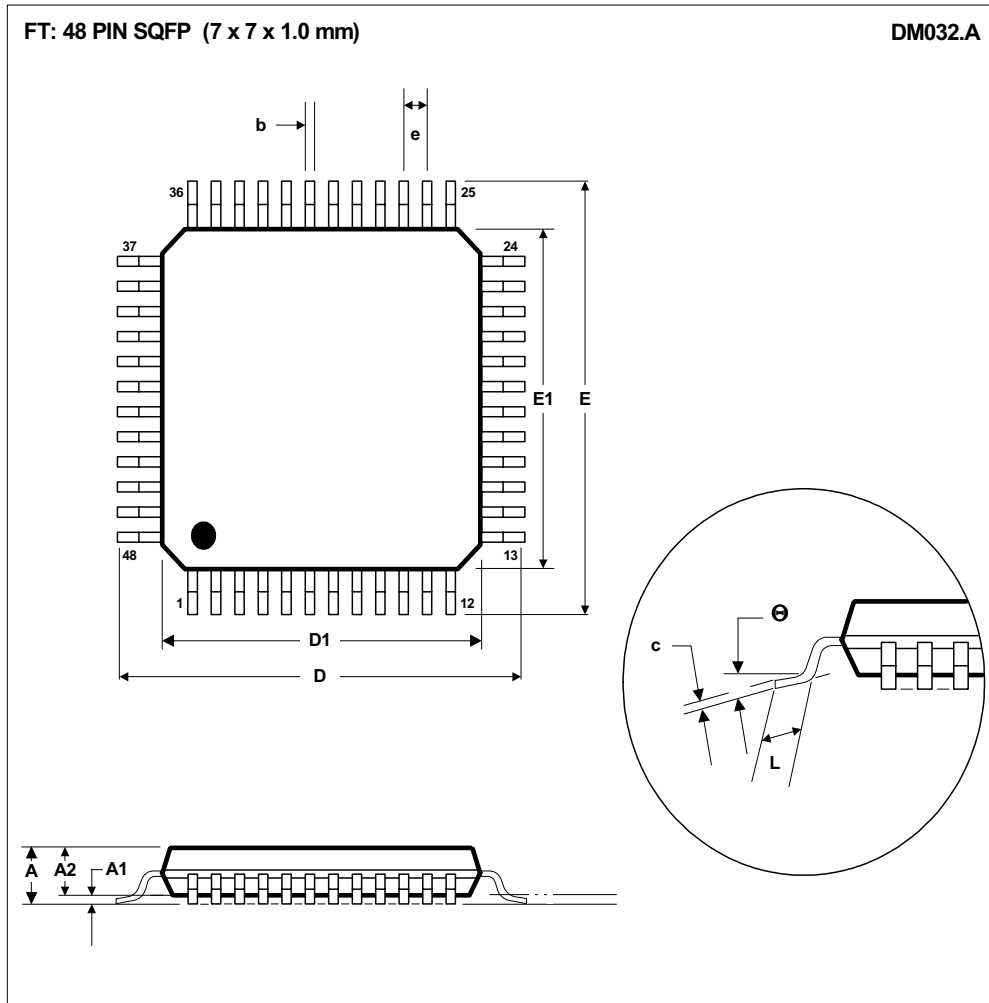
A capacitor with a low temperature coefficient should be used for the PLL loop filter.

RECOMMENDED EXTERNAL COMPONENTS VALUES

ELEMENT SYMBOL	RECOMMENDED CONSTANT	APPLICATION	REMARK
Cc	0.1 μ F	Power supply de-coupling	Ceramic capacitor
Rp	10 k Ω	Function setting pull-down/pull-up	
C1	1 pF to 33 pF	Crystal resonator load	NP0 characteristics ceramic capacitor
Rf	1 M Ω	Oscillation amplifier feedback	
Rd	220 Ω	Oscillation amplifier current limit	
Ci	01 μ F	Coaxial input DC cut	Ceramic capacitor
Ri	75 Ω	Coaxial input termination	
C0	**	PLL loop filter	Value as required for frequency input range
C1	**	PLL loop filter	Value as required for frequency input range
R0	**	PLL loop filter	Value as required for frequency input range

Table 23 Recommended Component Values

PACKAGE DRAWING



Symbols	Dimensions (mm)		
	MIN	NOM	MAX
A	----	----	1.70
A ₁	----	0.10	----
A ₂	----	1.50	----
b	----	0.18	----
c	----	0.15	----
D	9.00 BSC		
D ₁	7.00 BSC		
E	9.00 BSC		
E ₁	7.00 BSC		
e	0.50 BSC		
L	----	0.50	----
Θ	----	0°	----
Tolerances of Form and Position			

NOTES:
 A. ALL LINEAR DIMENSIONS ARE IN MILLIMETERS.
 B. THIS DRAWING IS SUBJECT TO CHANGE WITHOUT NOTICE.
 C. BODY DIMENSIONS DO NOT INCLUDE MOLD FLASH OR PROTRUSION, NOT TO EXCEED 0.25MM.

IMPORTANT NOTICE

Wolfson Microelectronics plc (WM) reserve the right to make changes to their products or to discontinue any product or service without notice, and advise customers to obtain the latest version of relevant information to verify, before placing orders, that information being relied on is current. All products are sold subject to the WM terms and conditions of sale supplied at the time of order acknowledgement, including those pertaining to warranty, patent infringement, and limitation of liability.

WM warrants performance of its products to the specifications applicable at the time of sale in accordance with WM's standard warranty. Testing and other quality control techniques are utilised to the extent WM deems necessary to support this warranty. Specific testing of all parameters of each device is not necessarily performed, except those mandated by government requirements.

In order to minimise risks associated with customer applications, adequate design and operating safeguards must be used by the customer to minimise inherent or procedural hazards. Wolfson products are not authorised for use as critical components in life support devices or systems without the express written approval of an officer of the company. Life support devices or systems are devices or systems that are intended for surgical implant into the body, or support or sustain life, and whose failure to perform when properly used in accordance with instructions for use provided, can be reasonably expected to result in a significant injury to the user. A critical component is any component of a life support device or system whose failure to perform can be reasonably expected to cause the failure of the life support device or system, or to affect its safety or effectiveness.

WM assumes no liability for applications assistance or customer product design. WM does not warrant or represent that any license, either express or implied, is granted under any patent right, copyright, mask work right, or other intellectual property right of WM covering or relating to any combination, machine, or process in which such products or services might be or are used. WM's publication of information regarding any third party's products or services does not constitute WM's approval, license, warranty or endorsement thereof.

Reproduction of information from the WM web site or datasheets is permissible only if reproduction is without alteration and is accompanied by all associated warranties, conditions, limitations and notices. Representation or reproduction of this information with alteration voids all warranties provided for an associated WM product or service, is an unfair and deceptive business practice, and WM is not responsible nor liable for any such use.

Resale of WM's products or services with statements different from or beyond the parameters stated by WM for that product or service voids all express and any implied warranties for the associated WM product or service, is an unfair and deceptive business practice, and WM is not responsible nor liable for any such use.

ADDRESS:

Wolfson Microelectronics plc
26 Westfield Road
Edinburgh
EH11 2QB
United Kingdom

Tel :: +44 (0)131 272 7000

Fax :: +44 (0)131 272 7001

Email :: sales@wolfsonmicro.com