

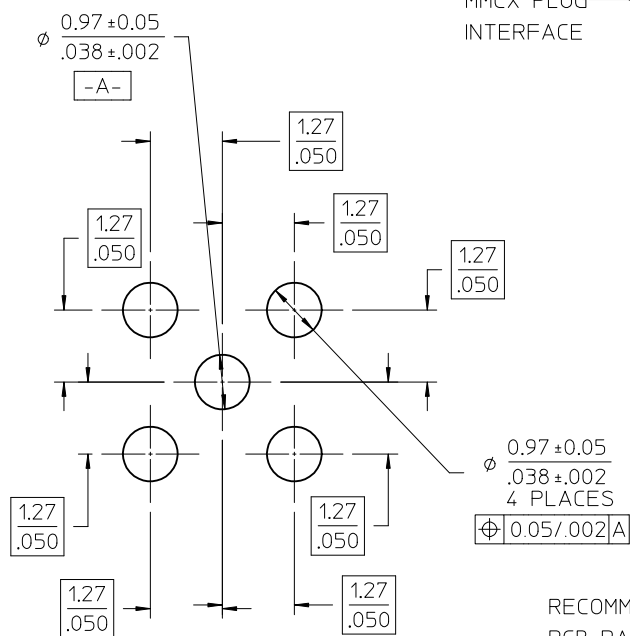
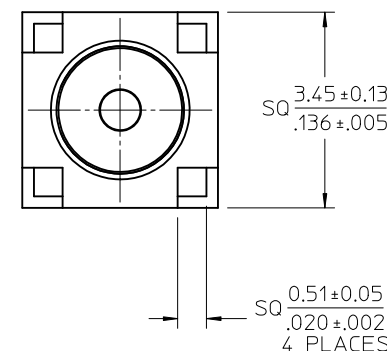
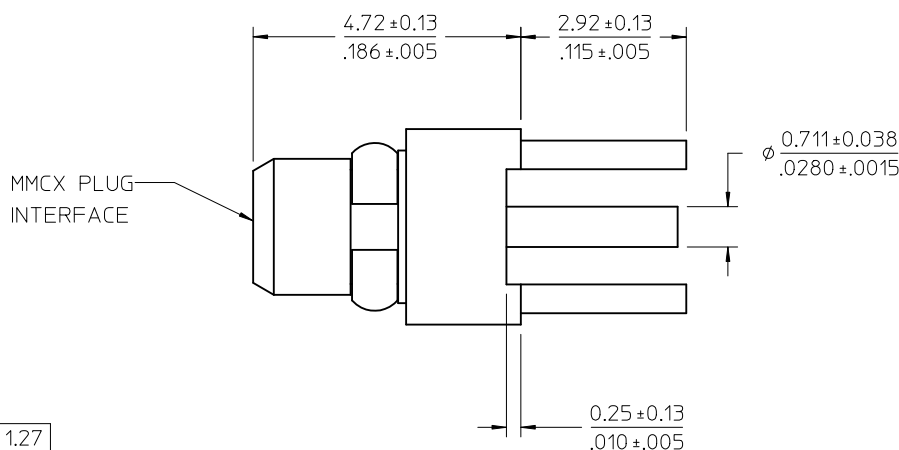
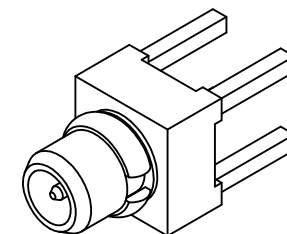
MATERIALS AND FINISHES

BODY BRASS
PLATED GOLD (SEE TABLE)

CENTER CONTACT BRASS
PLATED GOLD (SEE TABLE)

INSULATOR TEFLON

SNAP RING BERYLLIUM COPPER
PLATED GOLD (SEE TABLE)



RECOMMENDED
PCB PATTERN

73415-2122	COMMERCIAL	SINGLE BAG
73415-2121	COMMERCIAL	TRAY
73412-2120	MILITARY	TRAY
PART NO.	PLATING	PACKAGING

ES-89675-1920	ELECTRO/MECH PERFORM
CECC 22-340	INTERFACE
SPECIFICATION	DESCRIPTION

CHG: INTERFACE
SPEC WAS
73599-000-0150
ADDED -2121 / -2122
ADD PLATING AND
PACKAGING DATA

EC NO: URF2010-0347
2009/12/28
DRWN:WIENER
2009/12/28
CHKD:SSHAH
2009/12/28
APPR:WIENER
2009/12/28

QUALITY SYMBOLS
▽=0
▽=0

REV A5

GENERAL TOLERANCES (UNLESS SPECIFIED)

	mm	INCH
4 PLACES	± .005	± .0005
3 PLACES	± .005	± .0005
2 PLACES	± .005	± .0005
1 PLACE	± .005	± .0005

ANGULAR ± 2°

DRAFT WHERE APPLICABLE
MUST REMAIN
WITHIN DIMENSIONS

DIMENSION STYLE
MM/IN

DRAWN BY TEF
DATE 2000/06/06

CHECKED BY SSS
DATE 2000/06/06

APPROVED BY GMH
DATE 2000/06/06

MATERIAL NO.
SEE TABLE

SIZE C

SCALE
DESIGN UNITS
METRIC

THIRD ANGLE PROJECTION

TITLE
MMCX PLUG, STRAIGHT
PCB, 50 OHMS
EWR-3099, MMCX-P/PCB

MOLEX INCORPORATED

DOCUMENT NO. SD-73415-212

SHEET NO. 1 OF 1

THIS DRAWING CONTAINS INFORMATION THAT IS PROPRIETARY TO MOLEX INCORPORATED AND SHOULD NOT BE USED WITHOUT WRITTEN PERMISSION