



**Model Number**

**CBN2-F46-E0**

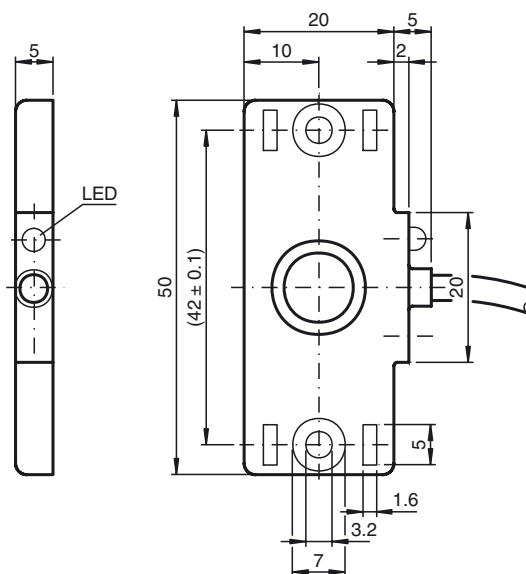
**Features**

- 2 mm non-flush
- 3-wire DC
- Flat housing
- Mounting slots for cable ties
- Thru-holes for screw mounting

**Technical Data**

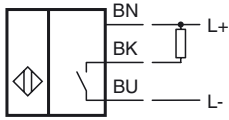
<b>General specifications</b>	
Switching function	Normally open (NO)
Output type	NPN
Rated operating distance	$s_n$ 2 mm
Installation	non-flush
Output polarity	DC
Assured operating distance	$s_a$ 0 ... 1.4 mm
Output type	3-wire
<b>Nominal ratings</b>	
Installation conditions	
B	0 mm
C	5 mm
F	20 mm / 50 mm
Operating voltage	$U_B$ 10 ... 30 V DC
Switching frequency	$f$ 0 ... 10 Hz
Hysteresis	H 1 ... 10 typ. 5 %
Reverse polarity protection	reverse polarity protected
Short-circuit protection	pulsing
Voltage drop	$U_d$ $\leq 2$ V
Voltage drop at $I_L$	
Voltage drop $I_L = 10$ mA, switching element on $U_d$	0.8 ... 2.2 V typ. 1.4 V
Design data	
Operating current	$I_L$ 0 ... 100 mA
Lowest operating current	$I_m$ 0 mA
Off-state current	$I_r$ 0 ... 0.5 mA typ. 0.01 mA
Off-state current $T_U = 40$ °C, switching element off	$\leq 100$ $\mu$ A
No-load supply current	$I_0$ $\leq 15$ mA
Time delay before availability	$t_v$ $\leq 50$ ms
Switching state indicator	LED, yellow
<b>Ambient conditions</b>	
Ambient temperature	-25 ... 70 °C (-13 ... 158 °F)
Storage temperature	-40 ... 85 °C (-40 ... 185 °F)
<b>Mechanical specifications</b>	
Connection type	cable PVC , 2 m
Core cross-section	0.14 mm <sup>2</sup>
Housing material	PBT
Sensing face	PBT
Degree of protection	IP67
Cable	
Cable diameter	3.5 mm $\pm$ 0.2 mm
Bending radius	$> 10 \times$ cable diameter
<b>Compliance with standards and directives</b>	
Standard conformity	
Standards	EN 60947-5-2:2007 EN 60947-5-2/A1:2012 IEC 60947-5-2:2007 IEC 60947-5-2 AMD 1:2012
<b>Approvals and certificates</b>	
UL approval	cULus Listed, General Purpose
CSA approval	cCSAus Listed, General Purpose
CCC approval	CCC approval / marking not required for products rated $\leq 36$ V

**Dimensions**



Release date: 2019-07-02 10:09 Date of issue: 2019-07-02 051988\_eng.xml

Electrical Connection



Installation Conditions

