

# Split Backshell for MIL-C-81659 Connectors to MIL-C-38999 Series III & IV, Shell Size 17 500-043

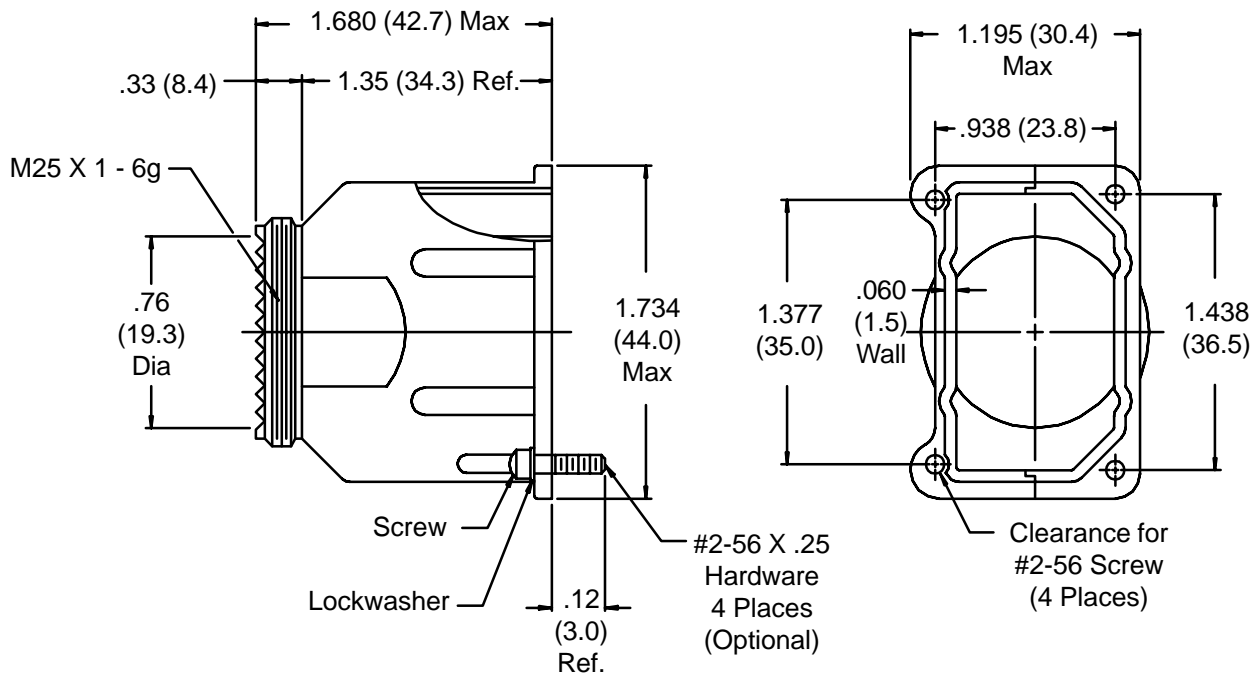
500-043 M H

Basic Part No. \_\_\_\_\_

Finish: \_\_\_\_\_

B = Cadmium Plate/Olive Drab  
M = Electroless Nickel  
N = Cadmium Plate/Olive Drab over Nickel Plate  
Omit for Cadmium Olive Drab Over  
Electroless Nickel (1000 Hour Salt Spray)

H = Hardware Supplied, Omit for None \_\_\_\_\_



1. Metric dimensions (mm) are indicated in parentheses.
2. Material/Finish:  
Backshell = Al Alloy/Finish Per Part Number Development  
Hardware = SST/Passivate