

# WITTEN FASTENERS

## 120 SERIES

### THREADED INSERT, BLIND, REGULAR HEAD STYLE

### LIGHT DUTY - PRESS IN

TABLE I

| CODE NO. | T THREAD    | A DIA<br>+.005/-.000 | INSTL HOLE<br>+.005/-.000 |
|----------|-------------|----------------------|---------------------------|
| 632      | 6-32 UNC    | .245                 | .250                      |
| 832      | 8-32 UNC    | .245                 | .250                      |
| 1032     | 10-32 UNF   | .307                 | .312                      |
| 420      | 1/4-20 UNC  | .370                 | .375                      |
| 428      | 1/4-28 UNF  | .370                 | .375                      |
| 518      | 5/16-18 UNC | .432                 | .437                      |
| 524      | 5/16-24 UNF | .432                 | .437                      |
| 616      | 3/8-16 UNC  | .495                 | .500                      |
| 624      | 3/8-24 UNF  | .495                 | .500                      |

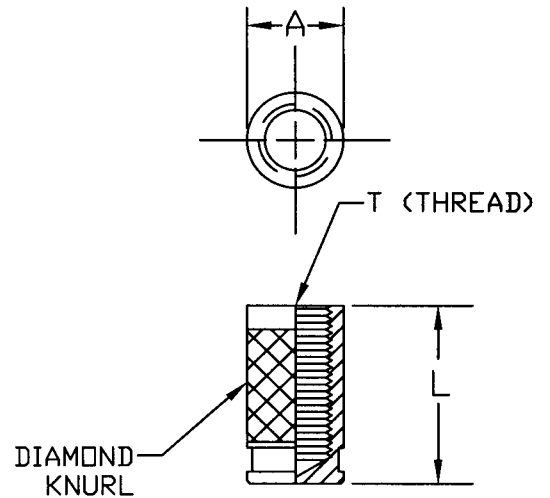


TABLE II

| DASH NO. | L ±.03 LENGTH | MINIMUM FULL THREAD DEPTH |      |      |      |      |      |
|----------|---------------|---------------------------|------|------|------|------|------|
|          |               | #6                        | #8   | #10  | 1/4  | 5/16 | 3/8  |
| -6       | .375          | .225                      | .225 | .175 | --   | --   | --   |
| -7       | .437          | .276                      | .287 | .237 | --   | --   | --   |
| -8       | .500          | .276                      | .328 | .300 | .225 | --   | --   |
| -10      | .625          | .276                      | .328 | .375 | .350 | .350 | .350 |
| -12      | .750          | .276                      | .328 | .375 | .475 | .475 | .475 |
| -14      | .875          | .276                      | .328 | .375 | .500 | .600 | .600 |
| -16      | 1.000         | .276                      | .328 | .375 | .500 | .625 | .725 |

**EXAMPLE: PART NUMBERING SYSTEM**

