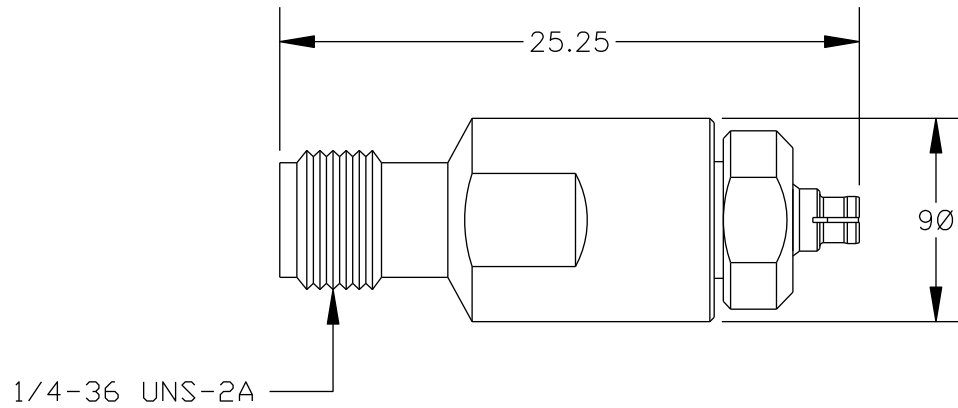


MATERIALS	
BODY	PASSIVATED STAINLESS STEEL
MINI SMP	GOLD PLATED
CONTACT	GOLD PLATED
INSULATOR	PTFE



SPECIFICATIONS

FREQUENCY RANGE: DC TO 40 GHz
 MAX VSWR 1.30:1



PASTERNACK ENTERPRISES, INC.

P.O BOX 16759, IRVINE, CA 92623
 PHONE (949) 261-1920 FAX (949) 261-7451

WEB ADDRESS: www.pasternack.com
 E-MAIL ADDRESS: sales@pasternack.com

COAXIAL & FIBER OPTICS

DWG TITLE

PE9782

DES. 2.92mm FEMALE TO MINI SMP FEMALE

REV. B

FSCM NO. 53919

CAD FILE 021508

SCALE N/A

SIZE A

147

NOTES:

1. UNLESS OTHERWISE SPECIFIED ALL DIMENSIONS ARE NOMINAL.
2. ALL SPECIFICATIONS ARE SUBJECT TO CHANGE WITHOUT NOTICE AT ANY TIME.
3. DIMENSIONS ARE IN mm.