

**PLEASE CHECK WWW.MOLEX.COM FOR LATEST PART INFORMATION**

**Part Number:** **0190730015**  
**Status:** **Active**  
**Description:** Avikrimp™ Ring Tongue Terminal for 18 to 22 AWG Wire, Stud Size 8, Length 22.00mm (.866"), Mylar Tape Carrier

**Documents:**

[Drawing \(PDF\)](#) [RoHS Certificate of Compliance \(PDF\)](#)

**Agency Certification**

CSA LR18689  
 UL E32244

**General**

Product Family Ring and Spade Terminals  
 Series [19073](#)  
 Crimp Quality Equipment Yes  
 Mil-Spec N/A  
 Product Name Avikrimp™  
 Type Ring

**Physical**

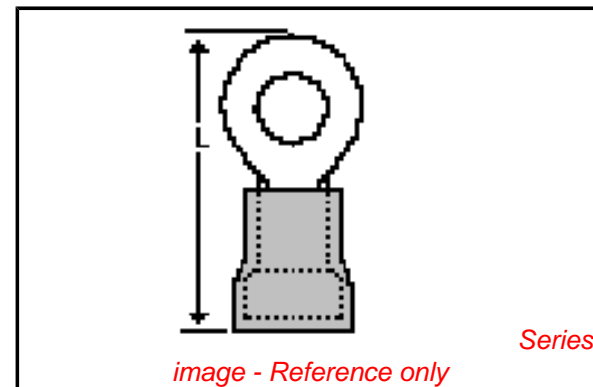
Barrel Type Closed  
 Flammability 94V-0  
 Insulation Nylon (PA)  
 Material - Plating Mating Tin  
 Packaging Type Adhesive Tape on Reel  
 Stud Size 8 (M4)  
 Wire Insulation Diameter 3.60mm (.142") max.  
 Wire Size AWG 18, 20, 22  
 Wire Size mm² 0.35 - 0.80

**Material Info**

Old Part Number AA-821-08T

**Reference - Drawing Numbers**

Sales Drawing SD-19073-002



**EU RoHS**

**ELV and RoHS Compliant**  
**REACH SVHC Contains SVHC: No**  
**Halogen-Free Status**  
**Not Reviewed**

**China RoHS**



**Need more information on product environmental compliance?**

Email [productcompliance@molex.com](mailto:productcompliance@molex.com)  
 For a multiple part number RoHS Certificate of Compliance, [click here](#)

Please visit the [Contact Us](#) section for any non-product compliance questions.

**Search Parts in this Series**

[19073Series](#)

**Application Tooling | [FAQ](#)**

*Tooling specifications and manuals are found by selecting the products below. Crimp Height Specifications are then contained in the Application Tooling Specification document.*

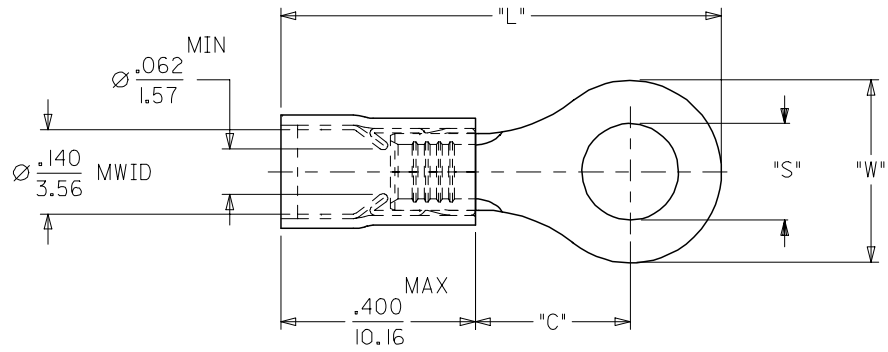
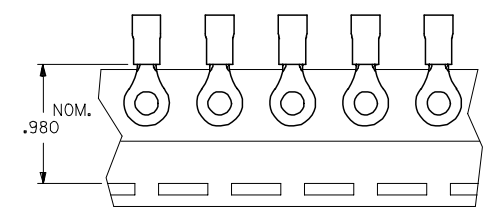
**Global**

Description	Product #
Crimp Dies for MTA-100 Tape Applicator used in 3BF Press, MTA-105 Tape Applicator used in TM-2000™ Press, and ATP-301 Air Crimping Press for Mylar Tape Mounted Terminals	<a href="#">0192880023</a>
Mini-Mac™ Applicator	<a href="#">0638851300</a>

This document was generated on 05/20/2010

**PLEASE CHECK [WWW.MOLEX.COM](http://WWW.MOLEX.COM) FOR LATEST PART INFORMATION**

MATERIAL NUMBER	ALTERNATE NUMBER	STUD SIZE	"S"	"W"	Ⓢ "C" MIN	Ⓢ "L" MAX	PACKAGING
190730005	AA-820-02	2	.094/(2.38)	.23(5.7)	.16(4.0)	.71(18.0)	LOOSE PIECE
190730007	AA-820-04	4	.119/(3.02)	.23(5.7)	.16(4.0)	.71(18.0)	
190730009	AA-820-06	6	.146/(3.71)	.23(5.7)	.16(4.0)	.71(18.0)	
190730011	AA-821-06	6	.146/(3.71)	.31(7.9)	.27(6.9)	.87(22.0)	
190730013	AA-821-08	8	.173/(4.39)	.31(7.9)	.27(6.9)	.87(22.0)	
190730017	AA-821-10	10	.198/(5.03)	.31(7.9)	.27(6.9)	.87(22.0)	TAPE MOUNTED
190730020	AA-821-209	5MM	.209/(5.30)	.31(7.9)	.27(6.9)	.87(22.0)	
190730006	AA-820-02T	2	.094/(2.38)	.23(5.7)	.16(4.0)	.71(18.0)	
190730008	AA-820-04T	4	.119/(3.02)	.23(5.7)	.16(4.0)	.71(18.0)	
190730010	AA-820-06T	6	.146/(3.71)	.23(5.7)	.16(4.0)	.71(18.0)	
190730012	AA-821-06T	6	.146/(3.71)	.31(7.9)	.27(6.9)	.87(22.0)	
190730015	AA-821-08T	8	.173/(4.39)	.31(7.9)	.27(6.9)	.87(22.0)	
190730019	AA-821-10T	10	.198/(5.03)	.31(7.9)	.27(6.9)	.87(22.0)	
190730021	AA-821-209T	5MM	.209/(5.30)	.31(7.9)	.27(6.9)	.87(22.0)	



- NOTES:  
 1. MATERIAL: COPPER  
 PLATING: ELECTROPLATE TIN  
 2. FERRULE: TIN-PLATED BRASS  
 3. INSULATION: RED NYLON 94V2.  
 4. MWID=MAXIMUM WIRE INSULATION DIA.  
 5. ALL DIMENSIONS IN INCHES/(MM).  
 6. ASSEMBLY IS ROHS COMPLIANT.

REV	DESCRIPTION
1	REV CHART DIM. C & L
2	EC NO: ETC2007-0223
3	DRW: JHEHLE 2006/12/04
4	CHKD: JMACNEIL 2006/12/04
5	APPR: JMACNEIL 2006/12/06

QUALITY SYMBOLS
▽=0
▽=0

GENERAL TOLERANCES (UNLESS SPECIFIED)	
	mm INCH
4 PLACES	± .005 ± .002
3 PLACES	± .005 ± .002
2 PLACES	± 0.13 ± .01
1 PLACE	± 0.25 ± .01
ANGULAR ±1/2°	
DRAFT WHERE APPLICABLE MUST REMAIN WITHIN DIMENSIONS	

DIMENSION STYLE IN/MM	
DRAWN BY	DATE
HEB	2000/09/08
CHECKED BY	DATE
RWD	2000/09/08
APPROVED BY	DATE
RWD	2000/09/08
MATERIAL NO.	DOCUMENT NO.
SEE CHART	SD-19073-002
SIZE B	THIS DRAWING CONTAINS INFORMATION THAT IS PROPRIETARY TO MOLEX INCORPORATED AND SHOULD NOT BE USED WITHOUT WRITTEN PERMISSION

SCALE 4:1	DESIGN UNITS INCH	THIRD ANGLE PROJECTION
TITLE RING TONGUE TERMINAL AVIKRIMP 800 SERIES		
MOLEX INCORPORATED		
DOCUMENT NO. SD-19073-002		SHEET NO. 1 OF 1