

ADSL Magnetics

For Fujitsu IC MB86670 Keywave™



TM00308

- Operating temperature range: -40° C to +85° C
- Meets IEC 695, 2-2 flammability requirements
- PWB Process Capability: standard printed wiring board assembly techniques, total-immersion cleaning
- Reliability testing: shock, vibration, temperature cycling, temperature - humidity - bias

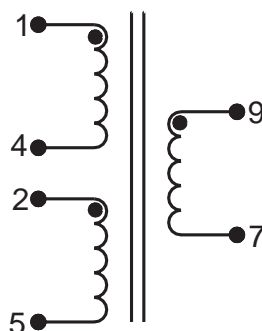
ELECTRICAL SPECIFICATIONS AT 25° C

Part Number	Package	Turns Ratio ± 2%	Inductance ² mH ±6%	Leakage Inductance µH max	DCR Ω max		Direct Capacitance pF max	Dielectric Rating Vrms min
		(1-5) : (9-7) ¹	(1-5) ¹	(1-5) ³	(9-7)	(1-5) ¹	between (1-5) & (9-7) ¹	between (1-5) & (9-7) ¹
S560-6600-L7	SMD	2 : 1	2	10.5	1	2.55	80	1500
0560-6600-60	THT	2 : 1	2	10.5	1	2.55	80	1500

1. connect terminals 2 to 4
2. measured at 10 kHz, 0.1 Vrms
3. connect terminals 2 to 4 & 9 to 7

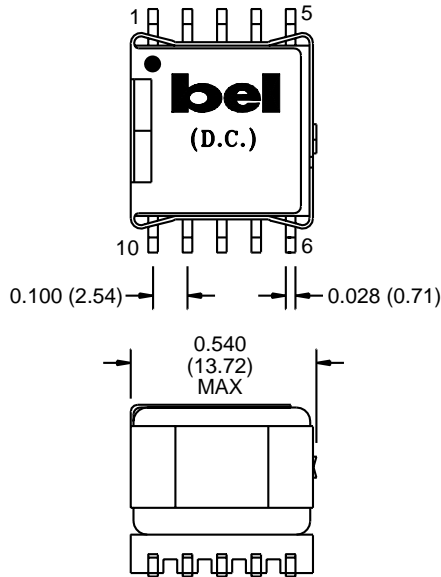
SCHEMATIC

S560-6600-L7
0560-6600-60

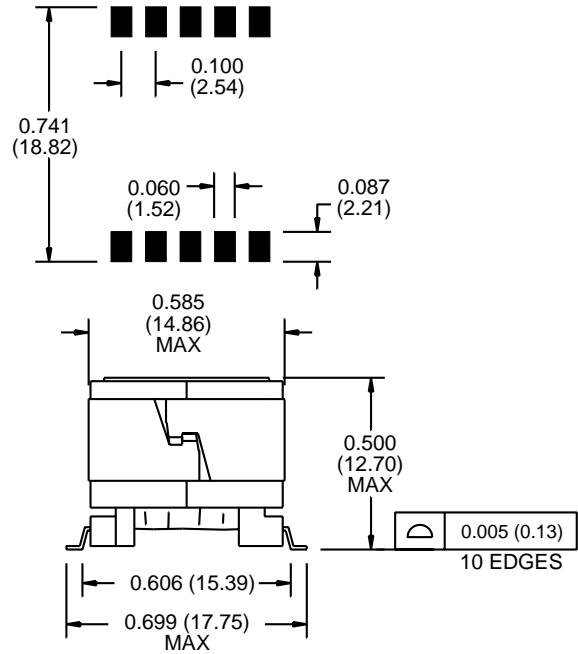


MECHANICAL

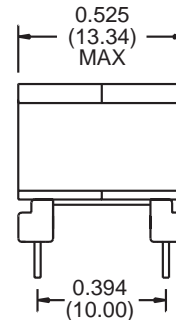
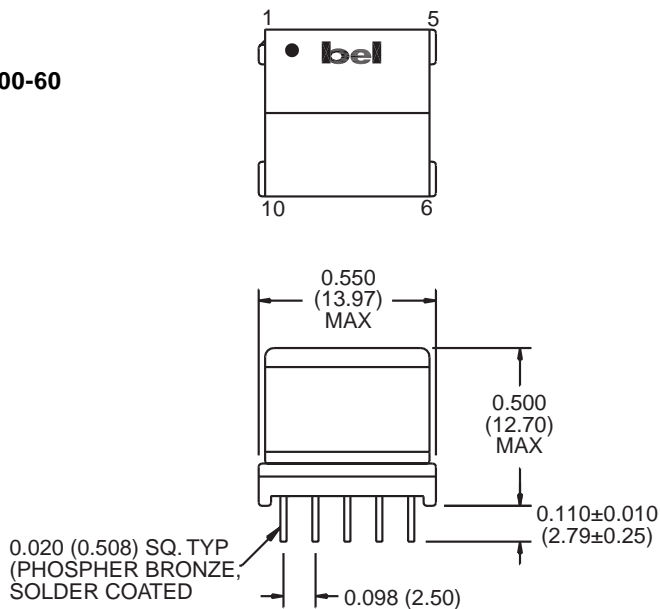
S560-6600-L7



SUGGESTED PCB PAD LAYOUT



0560-6600-60



CORPORATE

Bel Fuse Inc.
 198 Van Vorst Street
 Jersey City, NJ 07302
 Tel 201-432-0463
 Fax 201-432-9542
 www.belfuse.com

FAR EAST

Bel Fuse Ltd.
 8F / 8 Luk Hop Street
 San Po Kong
 Kowloon, Hong Kong
 Tel 852-2328-5515
 Fax 852-2352-3706
 www.belfuse.com

EUROPE

Bel Fuse Europe Ltd.
 Preston Technology Management Centre
 Marsh Lane, Suite G7, Preston
 Lancashire, PR1 8UD, U.K.
 Tel 44-1772-556601
 Fax 44-1772-888366
 www.belfuse.com