

# MDE Semiconductor, Inc.

78-150 Calle Tampico, Unit 210, La Quinta, CA., USA 92253 Tel: 760-564-8656 • Fax: 760-564-2414  
 1-800-831-4881 Email: sales@mdesemiconductor.com Web: www.mdesemiconductor.com

## Metal Oxide Varistors

### High Energy HA Series 40mm Single Disc

PART NUMBER	Varistor Voltage	Maximum Allowable Voltage		Max Clamping Voltage (8/20 $\mu$ S)		Max. Energy (J)	Max Peak Current (8/20 $\mu$ S)		Typical Capacitance (Reference)
	V@1mA (v)	ACrms (v)	DC (v)	Vc (v)	Ip (A)	(J)	1 time (A)	2 time (A)	1kHz (pF)
V131HA40	200 (185-225)	130	175	345	300	310	40000	30000	10000
V151HA40	240 (216-264)	150	200	405	300	360	40000	30000	8000
V251HA40	390 (351-429)	250	330	630	300	490	40000	30000	5000
V271HA40	430 (387-473)	275	369	690	300	550	40000	30000	4500
V321HA40	510 (459-561)	320	420	825	300	640	40000	30000	3800
V421HA40	680 (612-748)	420	560	1100	300	910	40000	30000	3000
V481HA40	750 (675-825)	480	640	1230	300	920	40000	30000	2700
V511HA40	510(459-561)	510	675	1295	300	940	40000	30000	2500
V571HA40	910 (819-1001)	575	730	1480	300	960	40000	30000	2200
V681HA40	1100 (990-1210)	660	850	1720	300	1100	40000	30000	2000
V751HA40	1200 (1080-1320)	750	970	2000	300	1200	40000	30000	1800

### Mechanical Dimensions

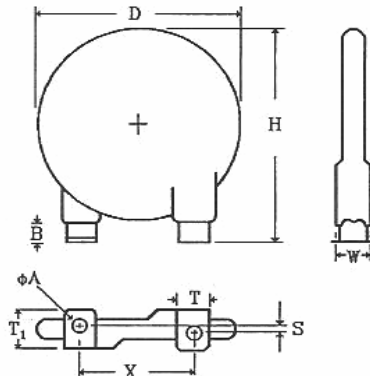


TABLE 1. HA SERIES OUTLINE SPECIFICATIONS  
(Dimensions in Millimeters)

	D	H	B	X	$\phi A$	T	T1	S
	MAX	MAX	MIN	NOM	MAX	NOM	NOM	OFFSET
HA40	42.5	57.00	3.0	25	4.20	9.30	10.4	Depends on Device Voltage (See Table 2)

TABLE 2. HA SERIES MAXIMUM THICKNESS AND TERMINAL OFFSETS (Dimensions in Millimeters)

VOLTAGE	THICKNESS "W"		DIMENSION "S" ( $\pm 1$ mm)	
		HA40		HA40
V131 - V321		9.00		3.90
V421 - V511		11.00		2.60
V571 - V751		13.00		1.00