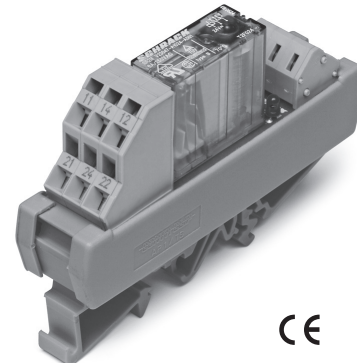


**Force Guided Relay on DIN-rail SR2 Z**

- 2 pole relay with force guided contacts according to EN50205
- DIN rail mounting

Typical applications  
contact monitoring in railway, elevator and machine controls



**Approvals**

Relay SR2M: VDE, UL, TUV, CQC  
Module SR2Z: CE  
Technical data of approved types on request

**Contact Data**

|  |   |
|--|---|
| Contact arrangement  | 2 form C (CO) contacts                    |
| According to EN50205 only 1NO / 1NC (11-14 and 22-21 or 12-11 and 21-24) shall be used as force guided contacts. |   |
| Rated voltage  | 250VAC                                    |
| Max. switching voltage   | 250VAC                                    |
| Rated current  | 6A  |
| Contact material   | AgNi                                      |
| Contact style  | single contact, force guided              |
| 1 form A + B, 1 NO + 1NC   | type A according to EN 50205              |
| 2 form C, 2CO  | type B according to EN 50205              |
| Min. recommended contact load  | 5V/10mA                                   |
| Initial contact resistance   | ≤100mΩ at 1A, 24VDC<br>≤20Ω at 10mA, 5VDC |
| Frequency of operation, with/without load  | 6/300min <sup>-1</sup>                    |
| Contact ratings, IEC60947-5-1, on 1 form A (NO) contact  | AC15-3A<br>DC13-6A                        |
| Mechanical endurance   | 10x10 <sup>6</sup> operations             |

**Coil Data**

|   |                               |
|---|-------------------------------|
| Coil voltage range                        | 24VDC                         |
| Operative range, % of rated coil voltage  | 90 to 110% of U <sub>rt</sub> |
| Release voltage (+23°C)                   | 10% of U <sub>rt</sub>        |
| Limiting voltage, % of rated coil voltage | 110%                          |
| Max. coil power                           | 700mW                         |
| Input circuit                             | LED                           |

**Insulation Data**

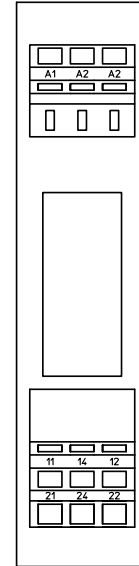
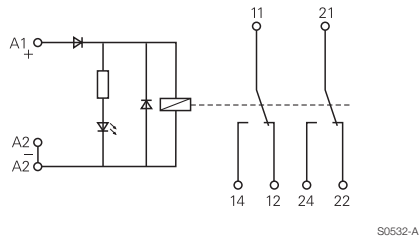
|  |                      |
|--|----------------------|
| Initial dielectric strength                |                      |
| between open contacts                      | 1500V <sub>rms</sub> |
| between contact and coil                   | 4000V <sub>rms</sub> |
| between adjacent contacts                  | 2000V <sub>rms</sub> |
| Clearance/creepage                         |                      |
| between open contacts                      | microdisconnection   |
| between contact and coil                   | ≥8/8mm               |
| between adjacent contacts                  | ≥1/1mm               |
| Insulation to EN 50178, type of insulation |                      |
| between contact and coil                   | reinforced           |
| between adjacent contacts                  | basic                |

**Other Data**

|   |                            |
|---|----------------------------|
| Material compliance: EU RoHS/ELV, China RoHS, REACH, Halogen content refer to the Product Compliance Support Center at <a href="http://www.te.com/customer-support/rohssupportcenter">www.te.com/customer-support/rohssupportcenter</a> |                            |
| Ambient temperature range   |                            |
| for mounting/handling   | 0 to 40°C                  |
| in operation  | -25 to 50°C                |
| Terminal type   | screwless clamp connectors |
| Wire cross section  |                            |
| solid wire  | 2.5mm <sup>2</sup>         |
| stranded wire   | 2.5mm <sup>2</sup>         |
| stranded wire with bootlace crimp   | 1.5mm <sup>2</sup>         |
| Mounting position   | any                        |
| Weight  | 50g                        |
| Packaging unit  | 2                          |

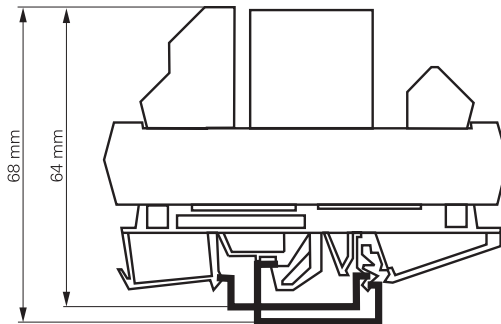
**Force Guided Relay on DIN-rail SR2 Z (Continued)**

**Terminal assignment**



**Dimensions**

Module width 20 mm  
Module length 87 mm



S0533-A

Fit onto mounting rails according to  
DIN EN 60175

**Product code structure**

Typical product code **SR2Z** **Y** **024**

**Type**

**SR2Z** Relay with force guided contacts on DIN-rail SR2 Z

**Contact configuration**

**Y** 2 form C (CO) contacts

**Coil**

DC Coil code = rated coil voltage (e.g. 024=24 VDC)

Other types on request

| Product code | Type          | Contact configuration  | Coil  | Part number |
|--------------|---------------|------------------------|-------|-------------|
| SR2ZY024     | 2-pole module | 2 form C (CO) contacts | 24VDC | 9-1415536-1 |