



Features

- Formerly J. W. Miller® model
- Available in E12 series
- Unit height of 6.8 mm
- Current up to 8 A Isat
- RoHS compliant*

Applications

- Input/output of DC/DC converters
- Power supplies for:
 - Portable communication equipment
 - Camcorders
 - LCD TVs
 - Car radios

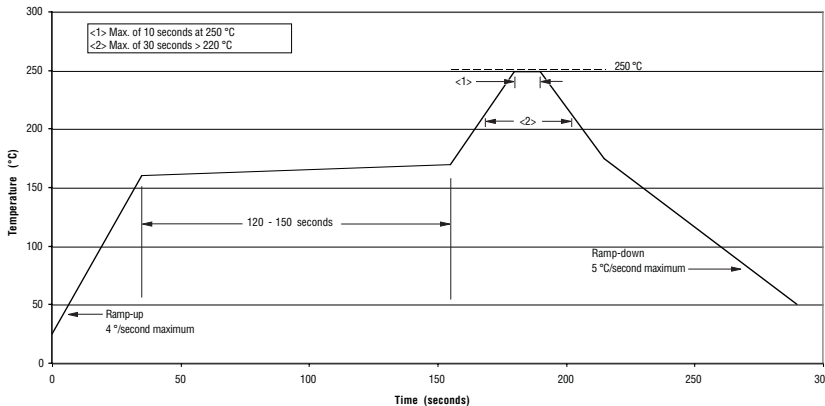
BOURNS®

PM5022S Series - Shielded Power Inductor

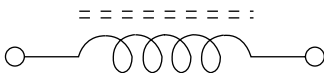
Electrical Specifications

Bourns Part No.	Inductance 100 kHz		Q Ref.	Test Frequency (MHz)	SRF Typ. (MHz)	RDC -20 % (Ω)	I rms Max. (A)	I sat Typ. (A)
	(μH)	Tol. %						
PM5022S-100M-RC	10	± 20	56	2.52	19.0	0.033	4.00	8.20
PM5022S-150M-RC	15	± 20	53	2.52	17.5	0.039	3.60	7.20
PM5022S-220M-RC	22	± 20	51	2.52	16.0	0.053	3.00	6.20
PM5022S-330M-RC	33	± 20	44	2.52	10.0	0.083	2.50	5.00
PM5022S-470M-RC	47	± 20	40	2.52	8.0	0.110	2.00	4.20
PM5022S-680M-RC	68	± 20	37	2.52	6.0	0.170	1.60	3.40
PM5022S-101M-RC	100	± 20	40	0.796	4.6	0.270	1.30	2.60
PM5022S-151M-RC	150	± 20	39	0.796	4.3	0.400	1.05	2.30
PM5022S-221M-RC	220	± 20	29	0.796	3.5	0.510	1.00	1.90
PM5022S-331M-RC	330	± 20	30	0.796	3.0	0.790	0.80	1.40
PM5022S-471M-RC	470	± 20	27	0.796	2.4	1.000	0.64	1.30
PM5022S-681M-RC	680	± 20	19	0.796	2.1	1.470	0.54	1.10
PM5022S-102M-RC	1000	± 20	46	0.796	1.5	2.160	0.45	0.90

Soldering Profile



Electrical Schematic



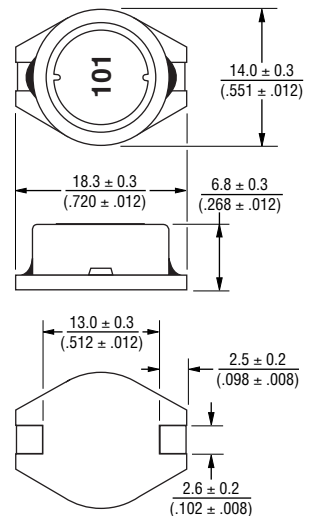
General Specifications

Test Voltage 0.1 V
 Reflow soldering 250 °C; 10 sec max.
 (In compliance with JEDEC, J-STD-020C, Table 4-2)
 Operating Temperature -40 °C to +125 °C
 (Temperature rise included)
 Storage Temperature -45 °C to +125 °C
 Resistance to Soldering Heat 250 °C, 10 sec. max.

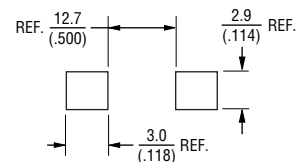
Materials

Core Ferrite core
 Wire Enameled copper
 Base LCP E4008
 Terminal Cu/Ni/Sn
 Rated Current Ind. drop 10 % typ. at Isat
 Temperature Rise 40 °C max. at rated I rms
 Packaging 250 pcs. per reel

Product Dimensions



Recommended Layout



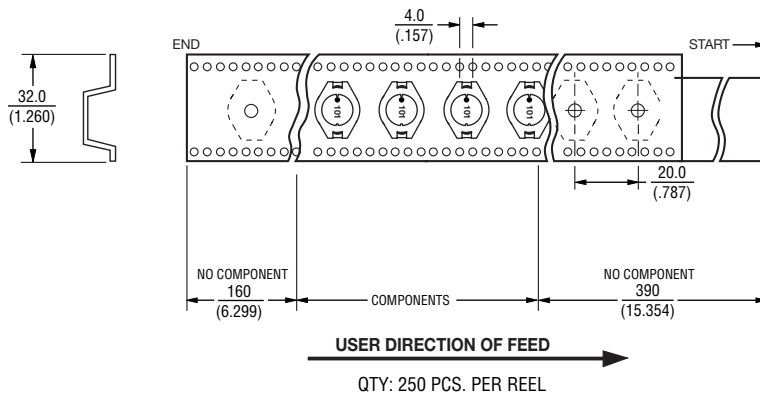
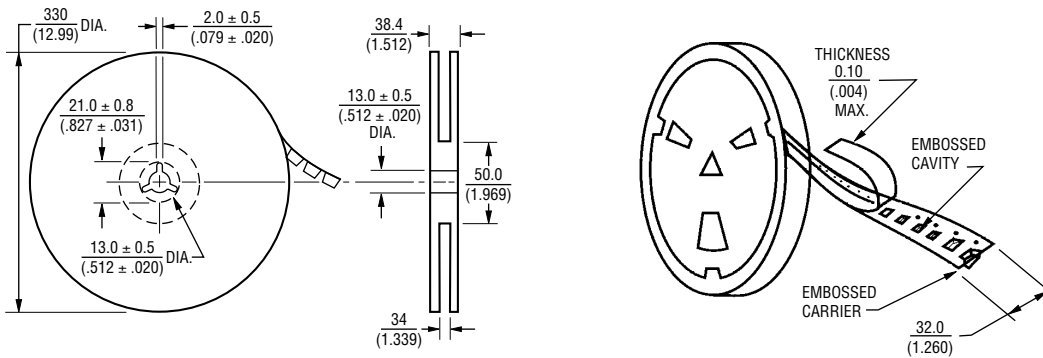
DIMENSIONS: $\frac{\text{MM}}{\text{(INCHES)}}$

*RoHS Directive 2002/95/EC Jan. 27, 2003 including annex and RoHS Recast 2011/65/EU June 8, 2011. Specifications are subject to change without notice. Customers should verify actual device performance in their specific applications.

PM5022S Series - Shielded Power Inductor

BOURNS®

Packaging Specifications



DIMENSIONS: $\frac{\text{MM}}{\text{(INCHES)}}$

REV. 05/11

Specifications are subject to change without notice.
Customers should verify actual device performance in their specific applications.