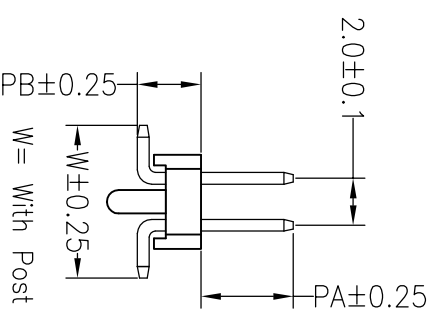
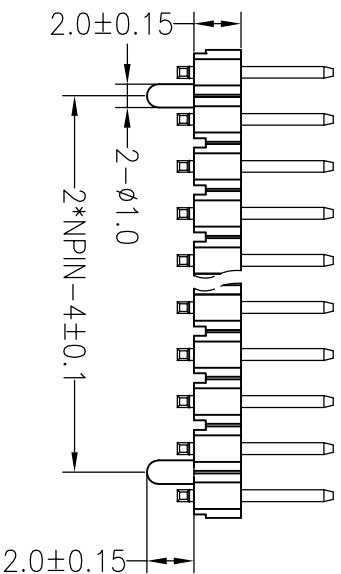
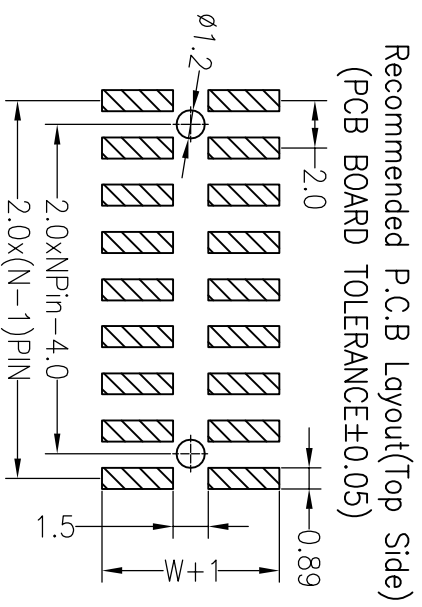
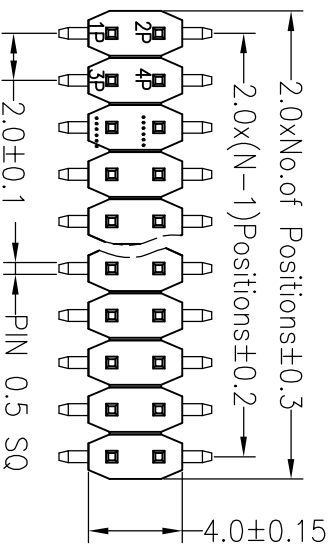


RoHS

SPECIFICATIONS

Rated Current:1.5AMP
 Contact Resistance:20mΩ Max
 Withstand Voltage:500V AC/DC
 Insulation Resistance:1000MΩ Min
 Operation Temperature:-40°c to +105°c
 Contact Material:Brass
 Contact Plating:Au Over Ni
 Insulator Material:Polyester(UL94V-0)
 Standard: PA6T
 Max.Processing Temp: 230°C for 30-60 seconds
 (260°C for 5 seconds)



Dimension antitheses list				
ITEM	PA	PB	W	L
Standard	4.90	2.90	7.00	9.70
Alternate				

深圳市连盛精密连接器有限公司

OPERATION		DRAW		SCALE		FIT	
X.X	±0.30	X.X	±0.30	UNIT	mm		
X.XX	±0.20	CHECK		SIZE	A4	PART NO.	
X.XXX	±0.10			SHEET	1/1	TITLE:	
Angle	±3°	APPROVE		PROJ.	◆	PH-00640---A0001	
DIM	TOL			2.0PH 2x12pin H2.0MM SMT 带柱			
REV	DATE	MODIFICATION DESCRIPTION	CHANGE				
1							
2		NEW DRAWING					
3							
4							

A B C D E F G