

1 to 2 CHs keyfob transmitters

WITH HT12E ENCODER

TX12E-2TK

650201001G

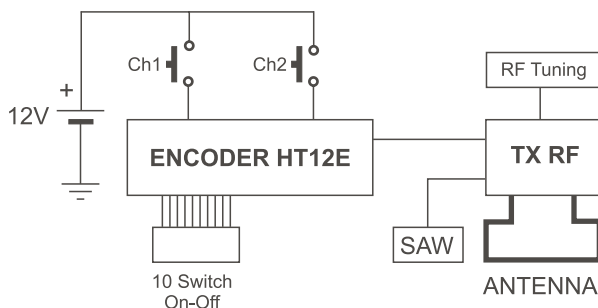
DESCRIZIONE

Trasmittitore RF bicanale con risuonatore SAW, ideale per applicazioni nel campo antifurto e comandi codificati. Conforme alle Normative Europee.

DESCRIPTION

1 to 2 channel RF transmitters with SAW filter oscillator, ideal for application in car alarms, remote control systems and coded controls. In compliance with European Normative.

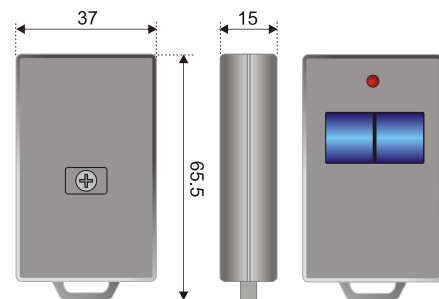
TX model	Encoder & decoder logic levels Livello logico encoder e decoder		AUREL decoders
	Channel 1 Canale 1	Channel 2 Canale 2	
	bit 9	bit 9	
TX-1TK	HIGH	...	D1MB
TX-2TK	HIGH	GND	D2MB • 2xD1MB



TX12E-1TK
650201000G



TX12E-2TK
650201001G



TECHNICAL SPECIFICATION

Ta = 25 °C

CHARACTERISTICS	
Battery Supply	Alimentazione Batteria
Supply Current	Corrente Assorbita
RF Carrier Frequency	Frequenza Portante RF
Effective Radiated Power	Potenza Irradiata
Encoder Clock Frequency ⁽¹⁾	Frequenza Clock Encoder ⁽¹⁾
Codes	Codici
Operating Temperature Range	Temperatura di lavoro

MIN	TYP	MAX	UNIT
	12		Vdc
	10	15	mA
	433.92		MHz
	1		mW
	1*		Khz
		4096	bit
+10		+55	°C

(*) Tolerance: ±15%