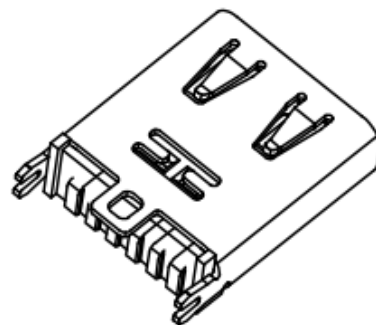
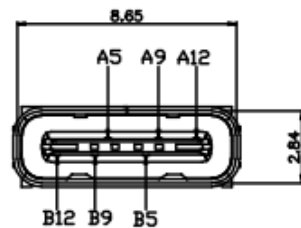
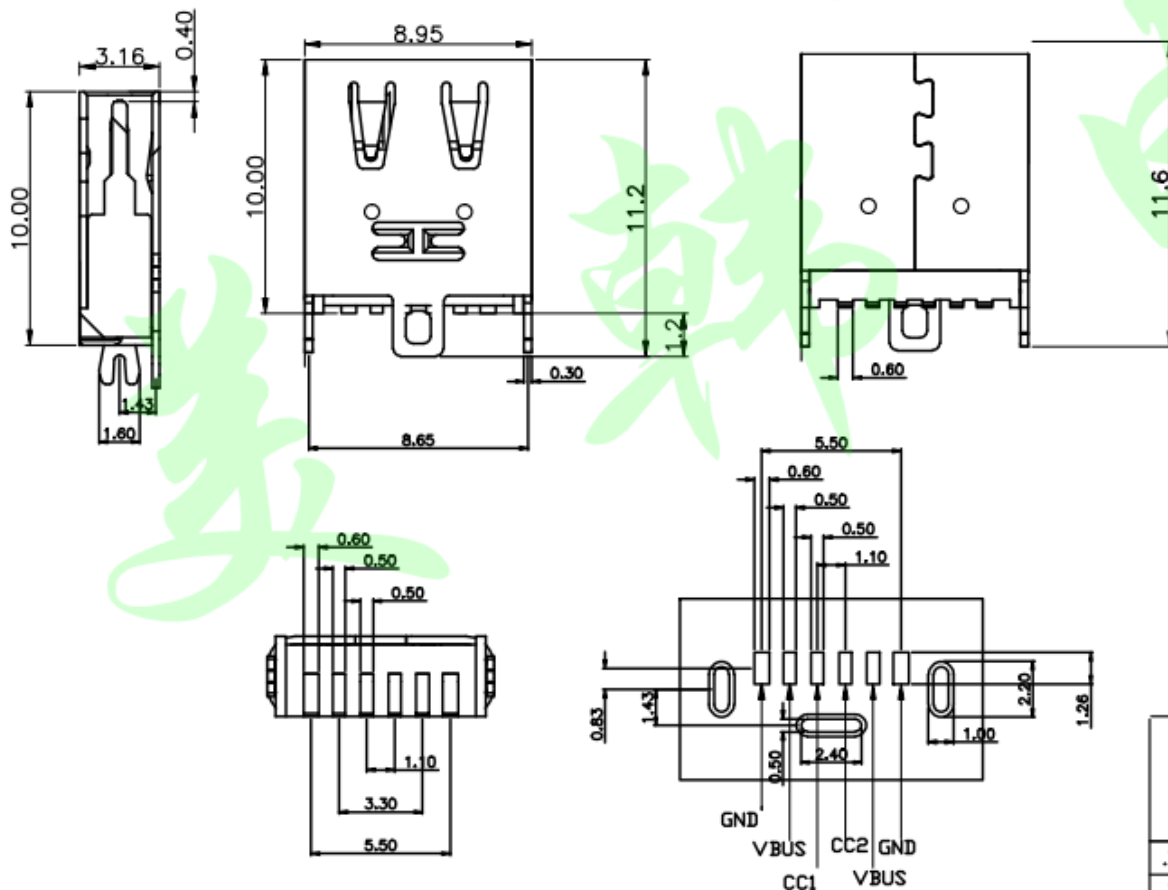


REV.	版本号	日期	姓名	日期
AO	新版发行		宋亮红	2017-02-24



B12	GND
B9	VBUS
B5	CC2
A5	CC1
A9	VBUS
A12	GND
PIN	SIGNAL NAME



- NOTES:
- 1.MATERIAL:
MOLDING: LCP UL94 V-0
CONTACT: COPPER ALLOY.
GOLD PLATED Min ON CONTACT AREA, 100u"
Min TIN (LEAD FREE) ON SOLDER AREA,
SHELL: SUS201-H, T=0.30±0.03mm
50u" NICKEL PLATING OVER ALL.
 - 2.MECHANICAL:
INSERTION: 5~20N.
EXTRACTION: 8~20N AFTER TEST.
DURABILITY: 5000 CYCLES
 - 3.ELECTRICAL:
CURRENT: 3A FOR VBUS;
1.25A FOR GND PIN.
0.25A FOR OTHER.
VOLTAGE: 20 V MAX
WITHSTANDING VOLTAGE: 100V AC R.M.S.
CONTACT RESISTANCE: 40mΩ MAX.
INSULATION RESISTANCE: 100MΩ MIN.
 - 4.ENVIRONMENTAL
TEMPERATURE RANGE -25°C ~ +85°C
 5. 尺寸标注事项:
圆点有标注者为首样全检, 重点管控尺寸.
 6. 产品符合RoHS标准

东莞市美韩电子科技有限公司
Dongguan Usakro Electronic Technology Co., Ltd.

.X: ±0.35	.X': ±1.5'	DETERM USE:	TITLE:
.XX: ±0.25	.XX': ±1.0'	CONNECTOR	TYPE C 6PIN PLUG简易版立贴10.0
.XXX: ±0.20	.XXX': ±0.5'	APP.:	PART NO.:
MAT'L:	SEE NOTES	CHD.:	SEE TABLE
FINISH:		DR.:	TYPE-C-6M-011-100
		Len.Song	SCALE: 1:1
			PAGE: 1/1
			UNIT: mm
			REV.: AO