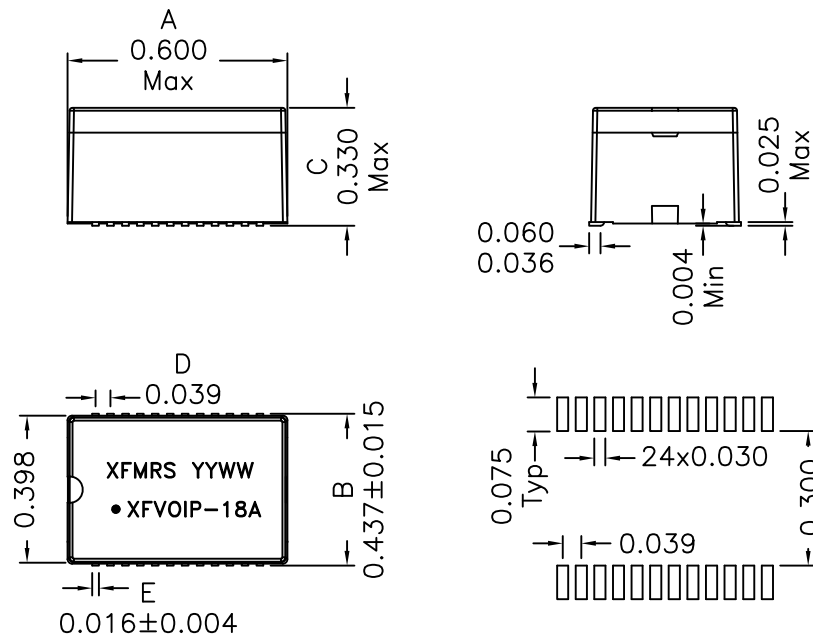
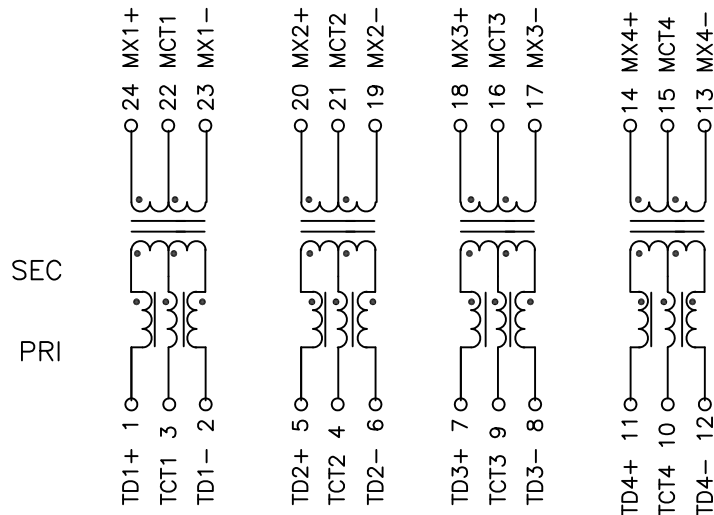


## 1. Mechanical Dimensions:



SUGGESTED PAD LAYOUT

## 2. Schematic:



DOC. REV: A/1

## 3. Electrical Specifications: @25°C

ISOLATION: 1500 Vrms

TURNS RATIO: (PRI/SEC) 1CT:1CT ±2%

OCL: 350uH MIN @100KHz 100mV 8mADC

Q: 8 Min @10KHz 50mV

INSERTION LOSS: 1.2dB MAX @100KHz

1.4dB MAX @1-125MHz

RETURN LOSS: 16dB Min @0.1-40MHz

11dB Min @40-100MHz

Differential to Common Mode Rejection:

50dB Min @2MHz

44dB Min @30-200MHz

Crosstalk: 50dB Min @1MHz

56dB Min @10-100MHz

DCR: 1/2 winding: 0.65 Ohms Max each

DCR CT Unbalance: +/-0.065 Ohms Max each

Rated Current: 350mA Balanced thru Sec CTs

### Notes:

1. Solderability: Leads shall meet MIL-STD-202G, Method 208H for solderability.
2. Flammability: UL94V-0
3. ASTM oxygen index: > 28%
4. Insulation System: Class F 155°C. UL file E151556
5. Operating Temperature Range: All listed parameters are to be within tolerance from -40°C to +85°C
6. Storage Temperature Range: -55°C to +125°C
7. Aqueous wash compatible
8. SMD Lead Coplanarity: ±0.004"(0.102mm)
9. Electrical and mechanical specifications 100% tested
10. RoHS Compliant Component

<b>XFMRS Inc</b> www.XFMRS.com	Title: Dual 10/100 POE or Single 1000BASE-T POE		
	UNLESS OTHERWISE SPECIFIED TOLERANCES: .xxx ±0.010 Dimensions in INCH		P/N: XFVOIP-18A REV. A
SHT 1 OF 1	DWN.	Feng	Jul-03-14
	CHK.	YK Liao	Jul-03-14
	APP.	DDC	Jul-03-14

**PROPRIETARY**

Document is the property of XFMRS Group & is not allowed to be duplicated without authorization.