



# PRODUCT SPECIFICATION

**Model No : CSQ-2842A9/2841A9**

## Descriptions:

- 0.28 Inch Quad Digit Display
- CSQ-2842: Common Anode
- CSQ-2841: Common Cathode
- Emitting Color: Super Bright Amber



CUSTOMER APPROVED SIGNATURES	APPROVED BY	CHECKED BY	PREPARED BY

**CHINA SEMICONDUCTOR CORPORATION**

Address:2FL. NO.909,Chung-Cheng Road,  
Chung-Ho City Taipei Hsien,Taiwan.

Tel:886-2-2223-9696  
Fax:886-2-2223-9377

**OPTO PLUS TECHNOLOGIES CO.,LTD**

Address:696 Shun jiang Rd.,Ji Shan St.Shaoxing,  
ZheJiang,China

Tel:86-0575-88623888  
Fax:86-0575-88623112



<b>Spec. No.</b>	PS-ND-08090201
<b>Rev.</b>	A

**Model No : CSQ-2842/2841A9**

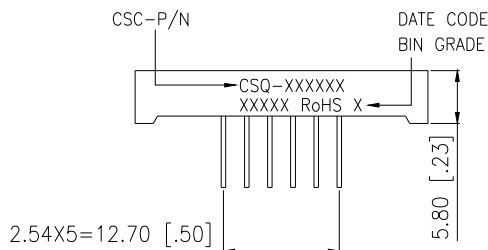
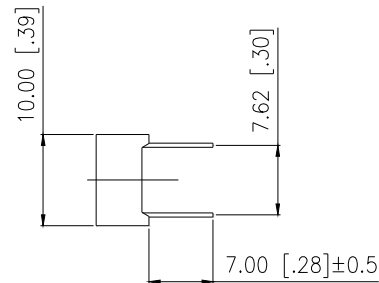
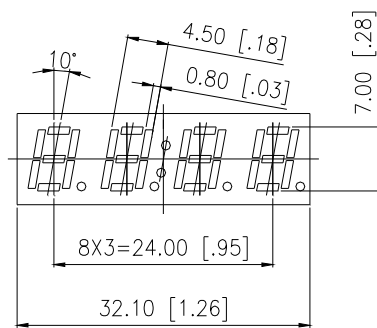
**Features -**

1. 0.28 inch (7.0mm) digit height.
2. Case mold type.
3. RoHS compliant.
4. Low power consumption.
5. Easy mounting on P.C. board or socket.

**Device Selection Guide -**

Part No.	Chip		Description
	Material	Emitted Color	
CSQ-2842A9	AlGaInP	Super Bright Amber	Common Anode
CSQ-2841A9	AlGaInP	Super Bright Amber	Common Cathode

**Package Dimensions -**



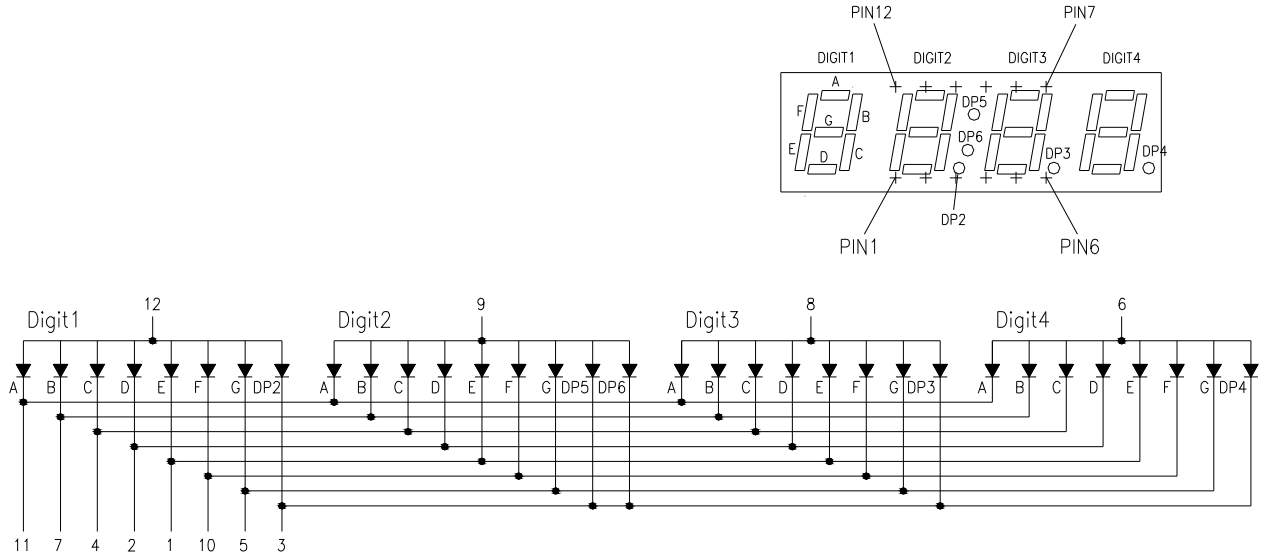
**NOTE:**

1. All pins are  $\varnothing 0.45$  [.02"].
2. Dimension in millimeter (inch), and tolerance is  $\pm 0.25$  [.01] unless otherwise noted.



Model No : CSQ-2842/2841A9

Internal Circuit Diagrams -



CSQ-2842 Common Anode  
(CSQ-2841 Common Cathode)

Absolute Maximum Rating -

(Ta=25°C)

Parameter	Symbol	Rating	Unit
Power Dissipation Per Dice	PAD	70	mW
Continuous Forward Current Per Dice	IAF	25	mA
Peak Current Per Dice(duty cycle 1/10, 1kHz)	IPF	90	mA
Derating Linear From 25°C Per Dice	-	0.33	mA/°C
Reverse Voltage Per Dice	VR	5	V
Operating Temp.	Topr	-35 ~ +85	°C
Storage Temp.	Tstg	-35 ~ +85	°C
Solder temperature 1/16 inch below seating plane for 3 seconds at 260°C			



Model No : CSQ-2842/2841A9

■ Electro-optical Characteristics -

(Ta=25°C)

Parameter	Symbol	Min.	Typ.	Max.	Unit	Condition
Forward Voltage Per Segment	$V_F$	-	2.0	2.8	V	$I_F=20mA$
Luminous Intensity Per Segment	$I_v$	-	15	-	mcd	$I_F=10mA$
Peak Emission Wavelength	$\lambda_p$	-	612	-	nm	$I_F=20mA$
Dominant Wavelength	$\lambda_d$	-	606	-	nm	$I_F=20mA$
Spectrum Radiation Bandwidth	$\Delta \lambda$	-	20	-	nm	$I_F=20mA$
Reverse Current	$I_R$	-	-	100	$\mu A$	$V_R=5V$
Luminous Intensity Matching Ratio	$I_V-m$	-	-	2:1	-	$I_F=10mA$



**Model No: CSQ-2842/2841A9**

**Typical Electrical / Optical Characteristics Curves -**

**(Ta = 25°C Unless Otherwise Noted)**

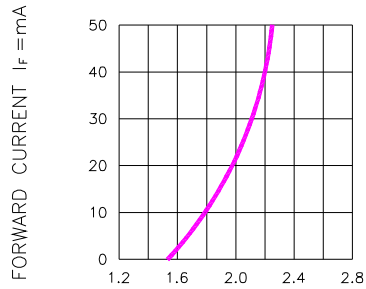


Fig.1 FORWARD CURRENT VS. FORWARD VOLTAGE

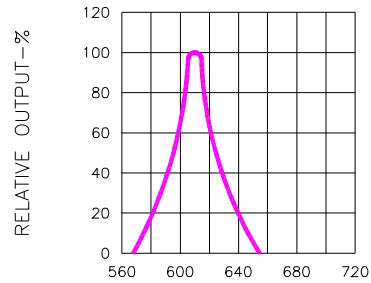


Fig.2 SPECTRAL RESPONSE

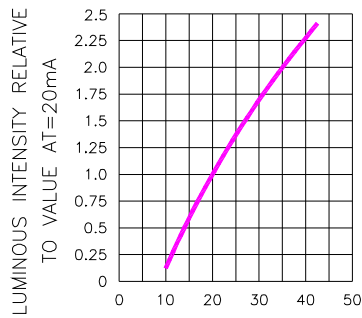


Fig.3 RELATIVE LUMINOUS INTENSITY VS. FORWARD CURRENT

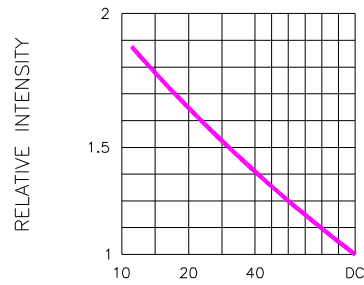


Fig.5 LUMINOUS INTENSITY VS. DUTY CYCLE  
(AVERAGE I<sub>F</sub> = 10mA)

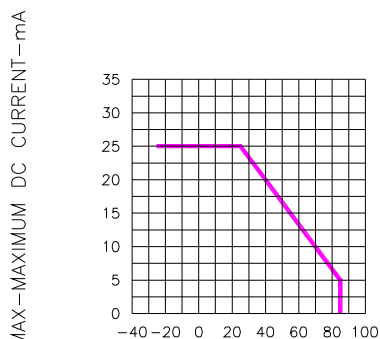


Fig.4 MAXIMUM ALLOWABLE DC CURRENT PER SEGMENT VS. A FUNCTION OF AMBIENT TEMPERATURE

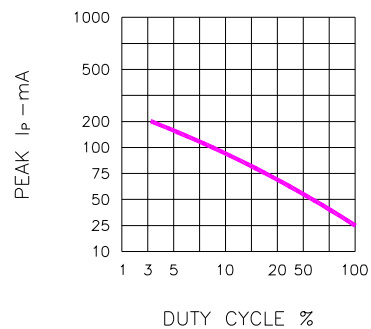


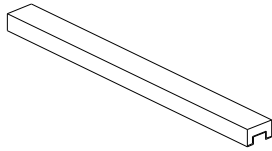
Fig.6 MAX PEAK CURRENT VS. DUTY CYCLE %  
(REFRESH RATE f=1 KHz)



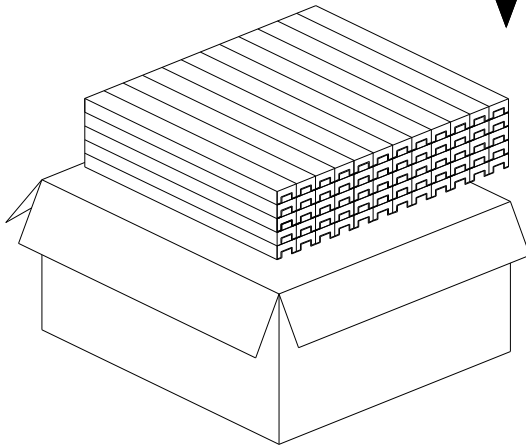
Model No: CSQ-2842/2841A9

■ Package Dimensions

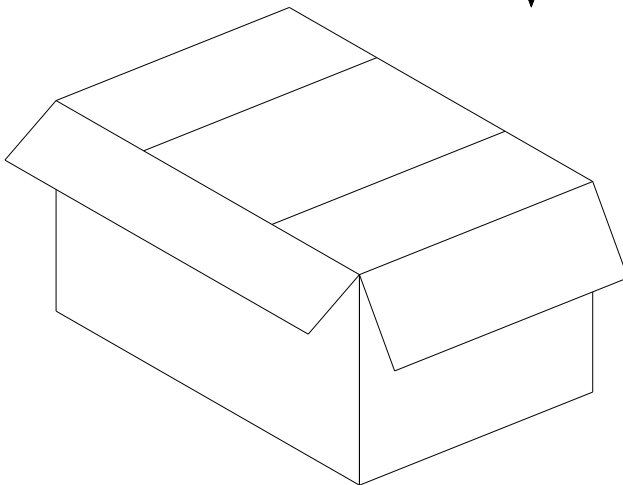
CSQ-284XX  
Quad Digit Display  
Dice Code



15 Pcs Per Tube



90 Tubes Per Inner Box  
Total Q'TY: 1350 Pcs



3 Inner Boxes Per Carton.  
Total Q'TY: 4050 Pcs

Carton Size:  
L540\*W485\*H305.5 mm

Note: The specifications are subject to change without notice. Please contact us for updated information.