

FEATURES

- Integrated dual 14-bit ADC**
- Single 3 V supply operation (2.7 V to 3.6 V)**
- SNR = 71.6 dB (to Nyquist, AD9248-65)**
- SFDR = 80.5 dBc (to Nyquist, AD9248-65)**
- Low power: 300 mW/channel at 65 MSPS**
- Differential input with 500 MHz, 3 dB bandwidth**
- Exceptional crosstalk immunity > 85 dB**
- Flexible analog input: 1 V p-p to 2 V p-p range**
- Offset binary or twos complement data format**
- Clock duty cycle stabilizer**
- Output datamux option**

APPLICATIONS

- Ultrasound equipment**
- Direct conversion or IF sampling receivers**
- WB-CDMA, CDMA2000, WiMAX**
- Battery-powered instruments**
- Hand-held scopemeters**
- Low cost digital oscilloscopes**

GENERAL DESCRIPTION

The AD9248 is a dual, 3 V, 14-bit, 20 MSPS/40 MSPS/65 MSPS analog-to-digital converter (ADC). It features dual high performance sample-and hold amplifiers (SHAs) and an integrated voltage reference. The AD9248 uses a multistage differential pipelined architecture with output error correction logic to provide 14-bit accuracy and to guarantee no missing codes over the full operating temperature range at up to 65 MSPS data rates. The wide bandwidth, differential SHA allows for a variety of user-selectable input ranges and offsets, including single-ended applications. It is suitable for various applications, including multiplexed systems that switch full-scale voltage levels in successive channels and for sampling inputs at frequencies well beyond the Nyquist rate.

Dual single-ended clock inputs are used to control all internal conversion cycles. A duty cycle stabilizer is available and can compensate for wide variations in the clock duty cycle, allowing the converter to maintain excellent performance. The digital output data is presented in either straight binary or twos complement format. Out-of-range signals indicate an overflow condition, which can be used with the most significant bit to determine low or high overflow.

Rev. B

Information furnished by Analog Devices is believed to be accurate and reliable. However, no responsibility is assumed by Analog Devices for its use, nor for any infringements of patents or other rights of third parties that may result from its use. Specifications subject to change without notice. No license is granted by implication or otherwise under any patent or patent rights of Analog Devices. Trademarks and registered trademarks are the property of their respective owners.

FUNCTIONAL BLOCK DIAGRAM

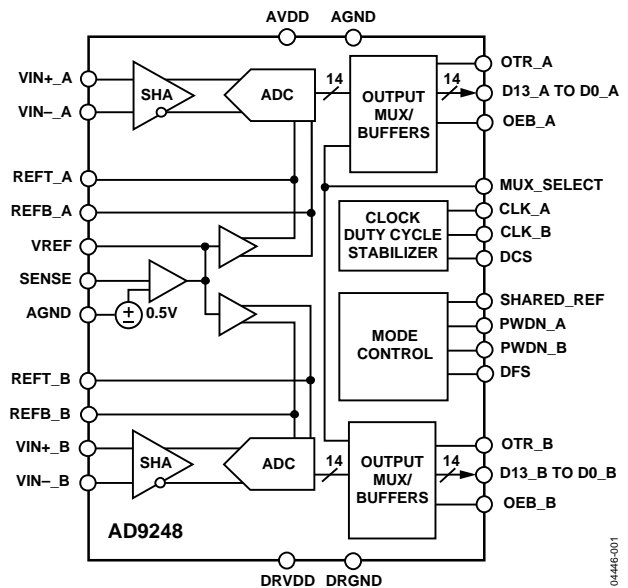


Figure 1.

Fabricated on an advanced CMOS process, the AD9248 is available in a Pb-free, space saving, 64-lead LQFP or LFCSP and is specified over the industrial temperature range (-40°C to $+85^{\circ}\text{C}$).

PRODUCT HIGHLIGHTS

1. Pin-compatible with the AD9238, 12-bit 20 MSPS/40 MSPS/65 MSPS ADC.
2. Speed grade options of 20 MSPS, 40 MSPS, and 65 MSPS allow flexibility between power, cost, and performance to suit an application.
3. Low power consumption: AD9248-65: 65 MSPS = 600 mW, AD9248-40: 40 MSPS = 330 mW, and AD9248-20: 20 MSPS = 180 mW.
4. Typical channel isolation of 85 dB @ $f_{\text{IN}} = 10$ MHz.
5. The clock duty cycle stabilizer (AD9248-20/AD9248-40/AD9248-65) maintains performance over a wide range of clock duty cycles.
6. Multiplexed data output option enables single-port operation from either Data Port A or Data Port B.

AD9248* PRODUCT PAGE QUICK LINKS

Last Content Update: 02/23/2017

COMPARABLE PARTS

View a parametric search of comparable parts.

EVALUATION KITS

- AD9248 Evaluation Board

DOCUMENTATION

Application Notes

- AN-1142: Techniques for High Speed ADC PCB Layout
- AN-282: Fundamentals of Sampled Data Systems
- AN-345: Grounding for Low-and-High-Frequency Circuits
- AN-501: Aperture Uncertainty and ADC System Performance
- AN-715: A First Approach to IBIS Models: What They Are and How They Are Generated
- AN-737: How ADIsimADC Models an ADC
- AN-741: Little Known Characteristics of Phase Noise
- AN-742: Frequency Domain Response of Switched-Capacitor ADCs
- AN-756: Sampled Systems and the Effects of Clock Phase Noise and Jitter
- AN-803: Pin Compatible High Speed ADCs Simplify Design Tasks
- AN-807: Multicarrier WCDMA Feasibility
- AN-808: Multicarrier CDMA2000 Feasibility
- AN-827: A Resonant Approach to Interfacing Amplifiers to Switched-Capacitor ADCs
- AN-835: Understanding High Speed ADC Testing and Evaluation
- AN-905: Visual Analog Converter Evaluation Tool Version 1.0 User Manual
- AN-935: Designing an ADC Transformer-Coupled Front End

Data Sheet

- AD9248: 14-Bit, 20 MSPS/40 MSPS/65 MSPS Dual A/D Converter Data Sheet
- ADW12001: 14-Bit, 40 MSPS Dual Analog-to-Digital Converter Data Sheet

TOOLS AND SIMULATIONS

- Visual Analog
- AD9248 IBIS Models

REFERENCE DESIGNS

- CN0320

REFERENCE MATERIALS

Technical Articles

- Buffer Adapts Single-ended Signals for Differential Inputs
- Correlating High-Speed ADC Performance to Multicarrier 3G Requirements
- Matching An ADC To A Transformer
- MS-2210: Designing Power Supplies for High Speed ADC

DESIGN RESOURCES

- AD9248 Material Declaration
- PCN-PDN Information
- Quality And Reliability
- Symbols and Footprints

DISCUSSIONS

View all AD9248 EngineerZone Discussions.

SAMPLE AND BUY

Visit the product page to see pricing options.

TECHNICAL SUPPORT

Submit a technical question or find your regional support number.

DOCUMENT FEEDBACK

Submit feedback for this data sheet.

TABLE OF CONTENTS

| | | | |
|---|----|---|----|
| Specifications..... | 3 | Clock Circuitry..... | 22 |
| DC Specifications..... | 3 | Analog Inputs..... | 22 |
| AC Specifications..... | 5 | Reference Circuitry..... | 22 |
| Digital Specifications..... | 6 | Digital Control Logic..... | 22 |
| Switching Specifications..... | 7 | Outputs..... | 22 |
| Absolute Maximum Ratings..... | 8 | LQFP Evaluation Board Bill of Materials (BOM)..... | 24 |
| Explanation of Test Levels..... | 8 | LQFP Evaluation Board Schematics..... | 25 |
| ESD Caution..... | 8 | LQFP PCB Layers..... | 29 |
| Pin Configurations and Function Descriptions..... | 9 | Dual ADC LFCSP PCB..... | 35 |
| Terminology..... | 11 | Power Connector..... | 35 |
| Typical Performance Characteristics..... | 12 | Analog Inputs..... | 35 |
| Equivalent Circuits..... | 16 | Optional Operational Amplifier..... | 35 |
| Theory of Operation..... | 17 | Clock..... | 35 |
| Analog Input..... | 17 | Voltage Reference..... | 35 |
| Clock Input and Considerations..... | 18 | Data Outputs..... | 35 |
| Power Dissipation and Standby Mode..... | 19 | LFCSP Evaluation Board Bill of Materials (BOM)..... | 36 |
| Digital Outputs..... | 19 | LFCSP PCB Schematics..... | 37 |
| Timing..... | 19 | LFCSP PCB Layers..... | 40 |
| Data Format..... | 20 | Thermal Considerations..... | 45 |
| Voltage Reference..... | 20 | Outline Dimensions..... | 46 |
| AD9248 LQFP Evaluation Board..... | 22 | Ordering Guide..... | 47 |

REVISION HISTORY

11/10—Rev. A to Rev. B

| | |
|--|----|
| Changes to Absolute Maximum Ratings Section..... | 8 |
| Changes to Figure 3..... | 9 |
| Add Figure 4; Renumbered Sequentially..... | 9 |
| Changes to Theory of Operation Section and Analog Input Section..... | 17 |
| Deleted Note 1 from Dual ADC LFCSP PCB Section..... | 35 |
| Updated Outline Dimensions..... | 46 |

3/05—Rev. 0 to Rev. A

| | |
|-------------------------------------|-----------|
| Added LFCSP..... | Universal |
| Changes to Features..... | 1 |
| Changes to Applications..... | 1 |
| Changes to General Description..... | 1 |
| Changes to Product Highlights..... | 1 |
| Changes to Table 6..... | 10 |

| | |
|--|----|
| Changes to Terminology..... | 11 |
| Changes to Figure 22..... | 15 |
| Changes to Clock Input and Considerations Section..... | 18 |
| Changes to Timing Section..... | 19 |
| Changes to Figure 33..... | 19 |
| Changes to Data Format Section..... | 20 |
| Changes to Table 10..... | 24 |
| Changes to Figure 39..... | 25 |
| Changes to Table 13..... | 36 |
| Updated Outline Dimensions..... | 46 |
| Changes to Ordering Guide..... | 47 |

1/05—Revision 0: Initial Version

SPECIFICATIONS

DC SPECIFICATIONS

AVDD = 3 V, DRVDD = 2.5 V, maximum sample rate, CLK_A = CLK_B; A_{IN} = -0.5 dBFS differential input, 1.0 V internal reference, T_{MIN} to T_{MAX}, DCS enabled, unless otherwise noted.

Table 1.

| Parameter | Temp | Test Level | AD9248BST/BCP-20 | | | AD9248BST/BCP-40 | | | AD9248BST/BCP-65 | | | Unit |
|--|------|------------|------------------|-------|------|------------------|-------|------|------------------|-------|------|---------|
| | | | Min | Typ | Max | Min | Typ | Max | Min | Typ | Max | |
| RESOLUTION | Full | VI | 14 | | | 14 | | | 14 | | | Bits |
| ACCURACY | | | | | | | | | | | | |
| No Missing Codes Guaranteed | Full | VI | 14 | | | 14 | | | 14 | | | Bits |
| Offset Error | 25°C | I | | ±0.2 | ±1.3 | | ±0.2 | ±1.3 | | ±0.2 | ±1.3 | % FSR |
| Gain Error ¹ | Full | IV | | ±0.25 | ±2.2 | | ±0.3 | ±2.4 | | ±0.5 | ±2.5 | % FSR |
| Differential Nonlinearity (DNL) ² | Full | V | | ±0.65 | | | ±0.65 | | | ±0.7 | | LSB |
| | 25°C | IV | | ±0.6 | ±1.0 | | ±0.6 | ±1.0 | | ±0.65 | ±1.0 | LSB |
| Integral Nonlinearity (INL) ² | Full | V | | ±2.7 | | | ±2.7 | | | ±2.8 | | LSB |
| | 25°C | IV | | ±2.3 | ±4.5 | | ±2.3 | ±4.5 | | ±2.4 | ±4.5 | LSB |
| TEMPERATURE DRIFT | | | | | | | | | | | | |
| Offset Error | Full | V | | ±2 | | | ±2 | | | ±3 | | ppm/°C |
| Gain Error ¹ | Full | V | | ±12 | | | ±12 | | | ±12 | | ppm/°C |
| INTERNAL VOLTAGE REFERENCE | | | | | | | | | | | | |
| Output Voltage Error (1 V Mode) | Full | VI | | ±5 | ±35 | | ±5 | ±35 | | ±5 | ±35 | mV |
| Load Regulation @ 1.0 mA | Full | V | | 0.8 | | | 0.8 | | | 0.8 | | mV |
| Output Voltage Error (0.5 V Mode) | Full | V | | ±2.5 | | | ±2.5 | | | ±2.5 | | mV |
| Load Regulation @ 0.5 mA | Full | V | | 0.1 | | | 0.1 | | | 0.1 | | mV |
| INPUT REFERRED NOISE | | | | | | | | | | | | |
| Input Span = 1 V | 25°C | V | | 2.1 | | | 2.1 | | | 2.1 | | LSB rms |
| Input Span = 2.0 V | 25°C | V | | 1.05 | | | 1.05 | | | 1.05 | | LSB rms |
| ANALOG INPUT | | | | | | | | | | | | |
| Input Span = 1.0 V | Full | IV | | 1 | | | 1 | | | 1 | | V p-p |
| Input Span = 2.0 V | Full | IV | | 2 | | | 2 | | | 2 | | V p-p |
| Input Capacitance ³ | Full | V | | 7 | | | 7 | | | 7 | | pF |
| REFERENCE INPUT RESISTANCE | Full | V | | 7 | | | 7 | | | 7 | | kΩ |
| POWER SUPPLIES | | | | | | | | | | | | |
| Supply Voltages | | | | | | | | | | | | |
| AVDD | Full | IV | 2.7 | 3.0 | 3.6 | 2.7 | 3.0 | 3.6 | 2.7 | 3.0 | 3.6 | V |
| DRVDD | Full | IV | 2.25 | 3.0 | 3.6 | 2.25 | 3.0 | 3.6 | 2.25 | 3.0 | 3.6 | V |
| Supply Current | | | | | | | | | | | | |
| IAVDD ² | Full | V | | 60 | | | 110 | | | 200 | | mA |
| IDRVDD ² | Full | V | | 5 | | | 11 | | | 16 | | mA |
| PSRR | Full | V | | ±0.01 | | | ±0.01 | | | ±0.01 | | % FSR |
| POWER CONSUMPTION | | | | | | | | | | | | |
| DC Input ⁴ | Full | V | | 180 | | | 330 | | | 600 | | mW |
| Sine Wave Input ² | Full | VI | | 190 | 217 | | 360 | 400 | | 640 | 700 | mW |
| Standby Power ⁵ | Full | V | | 2.0 | | | 2.0 | | | 2.0 | | mW |

AD9248

| Parameter | Temp | Test Level | AD9248BST/BCP-20 | | | AD9248BST/BCP-40 | | | AD9248BST/BCP-65 | | | Unit |
|--|------|------------|------------------|-------|-------|------------------|-------|-------|------------------|-------|-------|-------|
| | | | Min | Typ | Max | Min | Typ | Max | Min | Typ | Max | |
| MATCHING CHARACTERISTICS | | | | | | | | | | | | |
| Offset Error (Nonshared Reference Mode) | 25°C | I | | ±0.19 | ±1.56 | | ±0.19 | ±1.56 | | ±0.25 | ±1.74 | % FSR |
| Offset Error (Shared Reference Mode) | 25°C | I | | ±0.19 | ±1.56 | | ±0.19 | ±1.56 | | ±0.25 | ±1.74 | % FSR |
| Gain Error (Nonshared Reference Mode) | 25°C | I | | ±0.07 | ±1.43 | | ±0.07 | ±1.43 | | ±0.07 | ±1.47 | % FSR |
| Gain Error (Shared Reference Mode) | 25°C | I | | ±0.01 | ±0.06 | | ±0.01 | ±0.06 | | ±0.01 | ±0.10 | % FSR |

¹ Gain error and gain temperature coefficient are based on the ADC only (with a fixed 1.0 V external reference).

² Measured at maximum clock rate with a low frequency sine wave input and approximately 5 pF loading on each output bit.

³ Input capacitance refers to the effective capacitance between one differential input pin and AVSS. Refer to Figure 29 for the equivalent analog input structure.

⁴ Measured with dc input at maximum clock rate.

⁵ Standby power is measured with the CLK_A and CLK_B pins inactive (that is, set to AVDD or AGND).

AC SPECIFICATIONS

AVDD = 3 V, DRVDD = 2.5 V, maximum sample rate, CLK_A = CLK_B; A_{IN} = -0.5 dBFS differential input, 1.0 V external reference, T_{MIN} to T_{MAX}, DCS Enabled, unless otherwise noted.

Table 2.

| Parameter | Temp | Test Level | AD9248BST/BCP-20 | | | AD9248BST/BCP-40 | | | AD9248BST/BCP-65 | | | Unit |
|--|------|------------|------------------|------|-----|------------------|------|-----|------------------|------|------|------|
| | | | Min | Typ | Max | Min | Typ | Max | Min | Typ | Max | |
| SIGNAL-TO-NOISE RATIO (SNR) | | | | | | | | | | | | |
| f _{INPUT} = 2.4 MHz | Full | V | | 73.4 | | | 73.1 | | | 72.8 | dB | |
| | 25°C | IV | 73.1 | 73.7 | | 72.8 | 73.4 | | 72.3 | 73.1 | dB | |
| f _{INPUT} = 9.7 MHz | Full | V | | 72.9 | | | | | | | dB | |
| | 25°C | IV | 72.4 | 73.1 | | | | | | | dB | |
| f _{INPUT} = 19.6 MHz | Full | V | | | | | 72.7 | | | | dB | |
| | 25°C | IV | | | | 72.3 | 72.9 | | | | dB | |
| f _{INPUT} = 35 MHz | Full | V | | | | | | | | 71.5 | dB | |
| | 25°C | IV | | | | | | | 71.2 | 71.6 | dB | |
| f _{INPUT} = 100 MHz | 25°C | V | | 70 | | | 69.5 | | | 69.0 | dB | |
| SIGNAL-TO-NOISE AND DISTORTION RATIO (SINAD) | | | | | | | | | | | | |
| f _{INPUT} = 2.4 MHz | Full | V | | 73.0 | | | 72.8 | | | 72.5 | dB | |
| | 25°C | IV | 72.2 | 73.2 | | 72.0 | 73.0 | | 71.7 | 72.7 | dB | |
| f _{INPUT} = 9.7 MHz | Full | V | | 72.0 | | | | | | | dB | |
| | 25°C | IV | 70.9 | 72.2 | | | | | | | dB | |
| f _{INPUT} = 19.6 MHz | Full | V | | | | | 72.1 | | | | dB | |
| | 25°C | IV | | | | 71.0 | 72.3 | | | | dB | |
| f _{INPUT} = 35 MHz | Full | V | | | | | | | | 70.9 | dB | |
| | 25°C | IV | | | | | | | 70.0 | 71.0 | dB | |
| f _{INPUT} = 100 MHz | 25°C | V | | 69.5 | | | 69.0 | | | 68.5 | dB | |
| EFFECTIVE NUMBER OF BITS (ENOB) | | | | | | | | | | | | |
| f _{INPUT} = 2.4 MHz | Full | V | | 11.8 | | | 11.8 | | | 11.8 | Bits | |
| | 25°C | IV | 11.7 | 11.8 | | 11.7 | 11.8 | | 11.6 | 11.8 | Bits | |
| f _{INPUT} = 9.7 MHz | Full | V | | 11.7 | | | | | | | Bits | |
| | 25°C | IV | 11.5 | 11.7 | | | | | | | Bits | |
| f _{INPUT} = 19.6 MHz | Full | V | | | | | 11.7 | | | | Bits | |
| | 25°C | IV | | | | 11.5 | 11.7 | | | | Bits | |
| f _{INPUT} = 35 MHz | Full | V | | | | | | | | 11.5 | Bits | |
| | 25°C | IV | | | | | | | 11.3 | 11.5 | Bits | |
| f _{INPUT} = 100 MHz | 25°C | V | | 11.3 | | | 11.2 | | | 11.2 | Bits | |
| WORST HARMONIC (SECOND or THIRD) | | | | | | | | | | | | |
| f _{INPUT} = 2.4 MHz | Full | V | | 86.0 | | | 85.0 | | | 84.0 | dBc | |
| | 25°C | IV | 77.5 | 87.5 | | 77.5 | 86.0 | | 77.5 | 86.0 | dBc | |
| f _{INPUT} = 9.7 MHz | Full | V | | 83.0 | | | | | | | dBc | |
| | 25°C | I | 76.1 | 84.0 | | | | | | | dBc | |
| f _{INPUT} = 19.6 MHz | Full | V | | | | | 83.0 | | | | dBc | |
| | 25°C | I | | | | 76.0 | 84.0 | | | | dBc | |
| f _{INPUT} = 35 MHz | Full | V | | | | | | | | 80.0 | dBc | |
| | 25°C | I | | | | | | | 73.0 | 80.5 | dBc | |

AD9248

| Parameter | Temp | Test Level | AD9248BST/BCP-20 | | | AD9248BST/BCP-40 | | | AD9248BST/BCP-65 | | | Unit |
|---------------------------------------|------|------------|------------------|-------|------|------------------|-------|-----|------------------|-------|-----|------|
| | | | Min | Typ | Max | Min | Typ | Max | Min | Typ | Max | |
| WORST OTHER SPUR (NONSECOND or THIRD) | | | | | | | | | | | | |
| $f_{\text{INPUT}} = 2.4 \text{ MHz}$ | Full | V | | 88.0 | | | 88.0 | | | 85.5 | | dBc |
| | 25°C | I | 83.3 | 89.0 | | 83.5 | 89.0 | | 81.0 | 86.0 | | dBc |
| $f_{\text{INPUT}} = 9.7 \text{ MHz}$ | Full | V | | 87.0 | | | | | | | | dBc |
| | 25°C | I | 83.1 | 88.0 | | | | | | | | dBc |
| $f_{\text{INPUT}} = 19.6 \text{ MHz}$ | Full | V | | | | | 88.0 | | | | | dBc |
| | 25°C | I | | | | 82.6 | 88.5 | | | | | dBc |
| $f_{\text{INPUT}} = 35 \text{ MHz}$ | Full | V | | | | | | | | 85.5 | | dBc |
| | 25°C | I | | | | | | | 79.8 | 86.0 | | dBc |
| $f_{\text{INPUT}} = 100 \text{ MHz}$ | 25°C | V | | 79.0 | | | 81.0 | | | 75.0 | | dBc |
| SPURIOUS-FREE DYNAMIC RANGE (SFDR) | | | | | | | | | | | | |
| $f_{\text{INPUT}} = 2.4 \text{ MHz}$ | Full | V | | 86.0 | | | 85.0 | | | 84.0 | | dBc |
| | 25°C | IV | 77.5 | 87.5 | | 77.5 | 86.0 | | 77.5 | 86.0 | | dBc |
| $f_{\text{INPUT}} = 9.7 \text{ MHz}$ | Full | V | | 83.0 | | | | | | | | dBc |
| | 25°C | I | | 76.1 | 84.0 | | | | | | | dBc |
| $f_{\text{INPUT}} = 19.6 \text{ MHz}$ | Full | V | | | | | 83.0 | | | | | dBc |
| | 25°C | I | | | | 76.0 | 84.0 | | | | | dBc |
| $f_{\text{INPUT}} = 35 \text{ MHz}$ | Full | V | | | | | | | | 80.0 | | dBc |
| | 25°C | I | | | | | | | 73.0 | 80.5 | | dBc |
| CROSSTALK | Full | V | | -85.0 | | | -85.0 | | | -85.0 | | dB |

DIGITAL SPECIFICATIONS

AVDD = 3 V, DRVDD = 2.5 V, maximum sample rate, CLK_A = CLK_B; A_{IN} = -0.5 dBFS differential input, 1.0 V internal reference, T_{MIN} to T_{MAX}, DCS enabled, unless otherwise noted.

Table 3.

| Parameter | Temp | Test Level | AD9248BST/BCP-20 | | | AD9248BST-40 | | | AD9248BST-65 | | | Unit |
|----------------------------|------|------------|------------------|-----|------|--------------|-----|------|--------------|-----|------|------|
| | | | Min | Typ | Max | Min | Typ | Max | Min | Typ | Max | |
| LOGIC INPUTS | | | | | | | | | | | | |
| High Level Input Voltage | Full | IV | 2.0 | | | 2.0 | | | 2.0 | | | V |
| Low Level Input Voltage | Full | IV | | | 0.8 | | | 0.8 | | | 0.8 | V |
| High Level Input Current | Full | IV | -10 | | +10 | -10 | | +10 | -10 | | +10 | μA |
| Low Level Input Current | Full | IV | -10 | | +10 | -10 | | +10 | -10 | | +10 | μA |
| Input Capacitance | Full | IV | | 2 | | | 2 | | | 2 | | pF |
| LOGIC OUTPUTS ¹ | | | | | | | | | | | | |
| High Level Output Voltage | Full | IV | DRVDD - 0.05 | | | DRVDD - 0.05 | | | DRVDD - 0.05 | | | V |
| Low Level Output Voltage | Full | IV | | | 0.05 | | | 0.05 | | | 0.05 | V |

¹ Output voltage levels measured with capacitive load only on each output.

SWITCHING SPECIFICATIONS

AVDD = 3 V, DRVDD = 2.5 V, maximum sample rate, CLK_A = CLK_B; A_{IN} = -0.5 dBFS differential input, 1.0 V internal reference, T_{MIN} to T_{MAX}, DCS enabled, unless otherwise noted.

Table 4.

| Parameter | Temp | Test Level | AD9248BST/BCP-20 | | | AD9248BST/BCP-40 | | | AD9248BST/BCP-65 | | | Unit |
|--|------|------------|------------------|-----|-----|------------------|-----|-----|------------------|-----|-----|--------|
| | | | Min | Typ | Max | Min | Typ | Max | Min | Typ | Max | |
| SWITCHING PERFORMANCE | | | | | | | | | | | | |
| Maximum Conversion Rate | Full | VI | 20 | | | 40 | | | 65 | | | MSPS |
| Minimum Conversion Rate | Full | V | | | 1 | | | 1 | | | 1 | MSPS |
| CLK Period | Full | V | 50.0 | | | 25.0 | | | 15.4 | | | ns |
| CLK Pulse-Width High ¹ | Full | V | 15.0 | | | 8.8 | | | 6.2 | | | ns |
| CLK Pulse-Width Low ¹ | Full | V | 15.0 | | | 8.8 | | | 6.2 | | | ns |
| DATA OUTPUT PARAMETER | | | | | | | | | | | | |
| Output Delay ² (t _{PD}) | Full | VI | 2 | 3.5 | 6 | 2 | 3.5 | 6 | 2 | 3.5 | 6 | ns |
| Pipeline Delay (Latency) | Full | V | | 7 | | | 7 | | | 7 | | Cycles |
| Aperture Delay (t _A) | Full | V | | 1.0 | | | 1.0 | | | 1.0 | | ns |
| Aperture Uncertainty (t _i) | Full | V | | 0.5 | | | 0.5 | | | 0.5 | | ps rms |
| Wake-Up Time ³ | Full | V | | 2.5 | | | 2.5 | | | 2.5 | | ms |
| OUT-OF-RANGE RECOVERY TIME | Full | V | | 2 | | | 2 | | | 2 | | Cycles |

¹ The AD9248-65 model has a duty cycle stabilizer circuit that, when enabled, corrects for a wide range of duty cycles (see Figure 24).

² Output delay is measured from clock 50% transition to data 50% transition, with a 5 pF load on each output.

³ Wake-up time is dependent on the value of the decoupling capacitors; typical values shown with 0.1 μF and 10 μF capacitors on REFT and REFB.

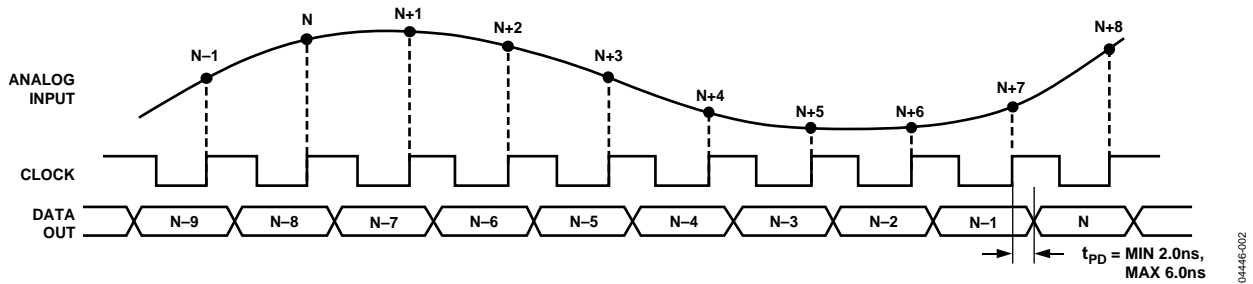


Figure 2. Timing Diagram

ABSOLUTE MAXIMUM RATINGS

Absolute maximum ratings are limiting values to be applied individually, and beyond which the serviceability of the circuit may be impaired. Functional operability is not necessarily implied. Exposure to absolute maximum rating conditions for an extended period may affect device reliability.

Table 5.

| Parameter | Rating |
|--|-------------------------|
| ELECTRICAL | |
| AVDD to AGND | -0.3 V to +3.9 V |
| DRVDD to DRGND | -0.3 V to +3.9 V |
| AGND to DRGND | -0.3 V to +0.3 V |
| AVDD to DRVDD | -3.9 V to +3.9 V |
| Digital Outputs to DRGND | -0.3 V to DRVDD + 0.3 V |
| OEB, DFS, CLK, DCS, MUX_SELECT, SHARED_REF to AGND | -0.3 V to AVDD + 0.3 V |
| VINA, VINB to AGND | -0.3 V to AVDD + 0.3 V |
| VREF to AGND | -0.3 V to AVDD + 0.3 V |
| SENSE to AGND | -0.3 V to AVDD + 0.3 V |
| REFB, REFT to AGND | -0.3 V to AVDD + 0.3 V |
| PDWN to AGND | -0.3 V to AVDD + 0.3 V |
| ENVIRONMENTAL¹ | |
| Operating Temperature | -40°C to +85°C |
| Junction Temperature | 150°C |
| Lead Temperature (10 sec) | 300°C |
| Storage Temperature | -65°C to +150°C |

¹ Typical thermal impedances: 64-lead LQFP, $\theta_{JA} = 54^{\circ}\text{C}/\text{W}$; 64-lead LFCSP, $\theta_{JA} = 26.4^{\circ}\text{C}/\text{W}$ with heat slug soldered to ground plane. These measurements were taken on a 4-layer board in still air, in accordance with EIA/JESD51-7.

EXPLANATION OF TEST LEVELS

- I 100% production tested.
- II 100% production tested at 25°C and sample tested at specified temperatures.
- III Sample tested only.
- IV Parameter is guaranteed by design and characterization testing.
- V Parameter is a typical value only.
- VI 100% production tested at 25°C; guaranteed by design and characterization testing for industrial temperature range; 100% production tested at temperature extremes for military devices.

ESD CAUTION



ESD (electrostatic discharge) sensitive device. Charged devices and circuit boards can discharge without detection. Although this product features patented or proprietary protection circuitry, damage may occur on devices subjected to high energy ESD. Therefore, proper ESD precautions should be taken to avoid performance degradation or loss of functionality.

PIN CONFIGURATIONS AND FUNCTION DESCRIPTIONS

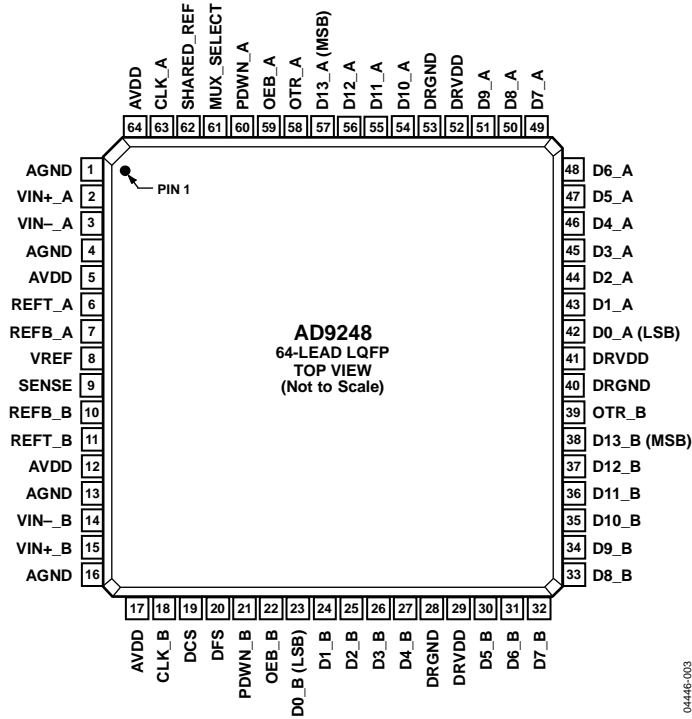
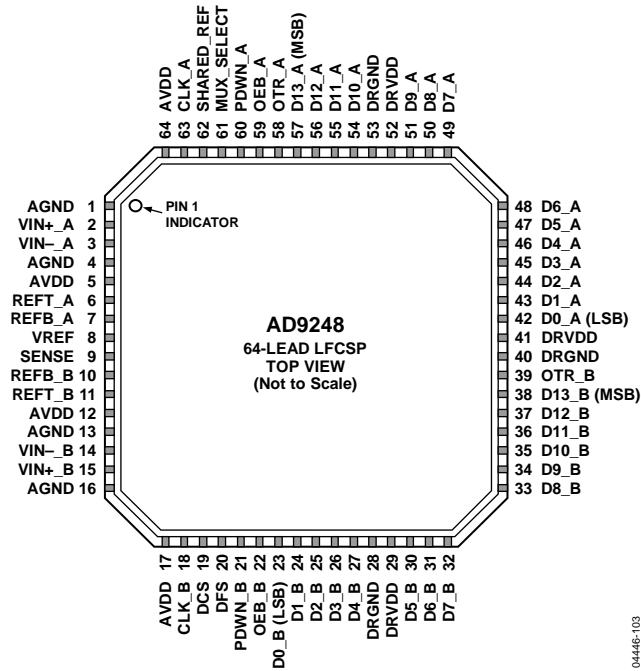


Figure 3. 64-Lead LQFP Pin Configuration



NOTES

1. THERE IS AN EXPOSED PAD THAT MUST CONNECT TO AGND.

Figure 4. 64-Lead LFCSP Pin Configuration

Table 6. 64-Lead LQFP and 64-Lead LFCSP Pin Function Descriptions

| Pin No. | Mnemonic | Description |
|-----------------------|------------------------------|---|
| 1, 4, 13, 16 | AGND | Analog Ground. |
| 2 | VIN+_A | Analog Input Pin (+) for Channel A. |
| 3 | VIN-_A | Analog Input Pin (-) for Channel A. |
| 5, 12, 17, 64 | AVDD | Analog Power Supply. |
| 6 | REFT_A | Differential Reference (+) for Channel A. |
| 7 | REFB_A | Differential Reference (-) for Channel A. |
| 8 | VREF | Voltage Reference Input/Output. |
| 9 | SENSE | Reference Mode Selection. |
| 10 | REFB_B | Differential Reference (-) for Channel B. |
| 11 | REFT_B | Differential Reference (+) for Channel B. |
| 14 | VIN-_B | Analog Input Pin (-) for Channel B. |
| 15 | VIN+_B | Analog Input Pin (+) for Channel B. |
| 18 | CLK_B | Clock Input Pin for Channel B. |
| 19 | DCS | Enable Duty Cycle Stabilizer (DCS) Mode. |
| 20 | DFS | Data Output Format Select Pin (Low for Offset Binary, High for Twos Complement). |
| 21 | PDWN_B | Power-Down Function Selection for Channel B. Logic 0 enables Channel B. Logic 1 powers down Channel B (outputs static, not High-Z). |
| 22 | OEB_B | Output Enable Pin for Channel B. Logic 0 enables Data Bus B. Logic 1 sets outputs to High-Z. |
| 23 to 27, 30 to 38 | D0_B (LSB) to D13_B (MSB) | Channel B Data Output Bits. |
| 28, 40, 53 | DRGND | Digital Output Ground. |
| 29, 41, 52 | DRVDD | Digital Output Driver Supply. Must be decoupled to DRGND with a minimum 0.1 μ F capacitor. Recommended decoupling is 0.1 μ F capacitor in parallel with 10 μ F capacitor. |
| 39 | OTR_B | Out-of-Range Indicator for Channel B. |
| 42 to 51, 54 to 57 | D0_A (LSB) to D13_A (MSB) | Channel A Data Output Bits. |
| 58 | OTR_A | Out-of-Range Indicator for Channel A. |
| 59 | OEB_A | Output Enable Pin for Channel A. Logic 0 enables Data Bus A. Logic 1 sets outputs to High-Z. |
| 60 | PDWN_A | Power-Down Function Selection for Channel A. Logic 0 enables Channel A. Logic 1 powers down Channel A (outputs static, not High-Z). |
| 61 | MUX_SELECT | Data Multiplexed Mode. (See Data Format section for how to enable; high setting disables output data multiplexed mode.) |
| 62 | SHARED_REF | Shared Reference Control Pin (Low for Independent Reference Mode, High for Shared Reference Mode). |
| 63 | CLK_A | Clock Input Pin for Channel A. |
| | EP | For the 64-Lead LFCSP only, there is an exposed pad that must connect to AGND. |

TERMINOLOGY

Aperture Delay

SHA performance measured from the rising edge of the clock input to when the input signal is held for conversion.

Aperture Jitter

The variation in aperture delay for successive samples, which is manifested as noise on the input to the ADC.

Integral Nonlinearity (INL)

Deviation of each individual code from a line drawn from negative full scale through positive full scale. The point used as negative full scale occurs $\frac{1}{2}$ LSB before the first code transition. Positive full scale is defined as a level $1\frac{1}{2}$ LSB beyond the last code transition. The deviation is measured from the middle of each particular code to the true straight line.

Differential Nonlinearity (DNL, No Missing Codes)

An ideal ADC exhibits code transitions that are exactly 1 LSB apart. DNL is the deviation from this ideal value. Guaranteed no missing codes to 14-bit resolution indicates that all 16,384 codes must be present over all operating ranges.

Offset Error

The major carry transition should occur for an analog value $\frac{1}{2}$ LSB below $V_{IN+} = V_{IN-}$. Offset error is defined as the deviation of the actual transition from that point.

Gain Error

The first code transition should occur at an analog value $\frac{1}{2}$ LSB above negative full scale. The last transition should occur at an analog value $1\frac{1}{2}$ LSB below the nominal full scale. Gain error is the deviation of the actual difference between first and last code transitions and the ideal difference between first and last code transitions.

Temperature Drift

The temperature drift for zero error and gain error specifies the maximum change from the initial (25°C) value to the value at T_{MIN} or T_{MAX} .

Power Supply Rejection

The specification shows the maximum change in full scale from the value with the supply at the minimum limit to the value with the supply at its maximum limit.

Total Harmonic Distortion (THD)

The ratio of the rms sum of the first six harmonic components to the rms value of the measured input signal, expressed as a percentage or in decibels relative to the peak carrier signal (dBc).

Signal-to-Noise and Distortion (SINAD) Ratio

The ratio of the rms value of the measured input signal to the rms sum of all other spectral components below the Nyquist frequency, including harmonics but excluding dc. The value for SINAD is expressed dB.

Effective Number of Bits (ENOB)

Using the following formula

$$ENOB = (SINAD - 1.76)/6.02$$

ENOB for a device for sine wave inputs at a given input frequency can be calculated directly from its measured SINAD.

Signal-to-Noise Ratio (SNR)

The ratio of the rms value of the measured input signal to the rms sum of all other spectral components below the Nyquist frequency, excluding the first six harmonics and dc. The value for SNR is expressed in dB.

Spurious-Free Dynamic Range (SFDR)

The difference in dB between the rms amplitude of the input signal and the peak spurious signal.

Nyquist Sampling

When the frequency components of the analog input are below the Nyquist frequency ($f_{CLOCK}/2$), this is often referred to as Nyquist sampling.

IF Sampling

Due to the effects of aliasing, an ADC is not limited to Nyquist sampling. Higher sampled frequencies are aliased down into the first Nyquist zone ($DC - f_{CLOCK}/2$) on the output of the ADC. The bandwidth of the sampled signal should not overlap Nyquist zones and alias onto itself. Nyquist sampling performance is limited by the bandwidth of the input SHA and clock jitter (jitter adds more noise at higher input frequencies).

Two-Tone SFDR

The ratio of the rms value of either input tone to the rms value of the peak spurious component. The peak spurious component may or may not be an IMD product.

Out-of-Range Recovery Time

The time it takes for the ADC to reacquire the analog input after a transient from 10% above positive full scale to 10% above negative full scale, or from 10% below negative full scale to 10% below positive full scale.

Crosstalk

Coupling onto one channel being driven by a (-0.5 dBFS) signal when the adjacent interfering channel is driven by a full-scale signal. Measurement includes all spurs resulting from both direct coupling and mixing components.

TYPICAL PERFORMANCE CHARACTERISTICS

AVDD, DRVDD = 3.0 V, T = 25°C, A_{IN} differential drive, full scale = 2 V, unless otherwise noted.

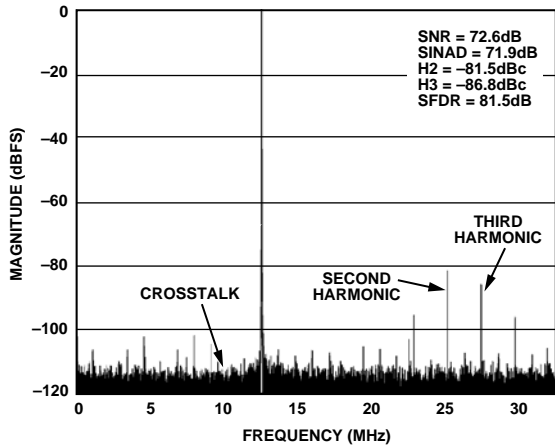


Figure 5. Single-Tone FFT of Channel A Digitizing $f_{IN} = 12.5$ MHz While Channel B Is Digitizing $f_{IN} = 10$ MHz

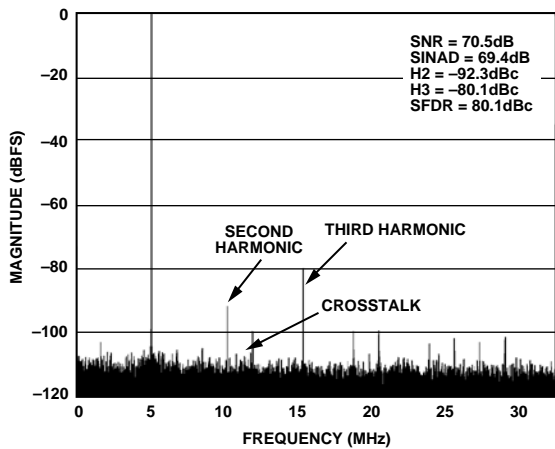


Figure 6. Single-Tone FFT of Channel A Digitizing $f_{IN} = 70$ MHz While Channel B Is Digitizing $f_{IN} = 76$ MHz

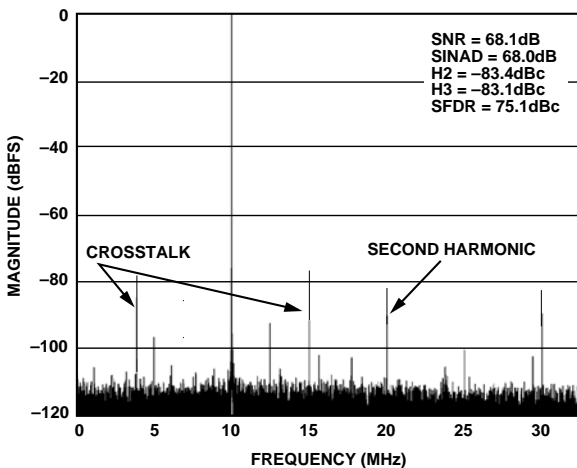


Figure 7. Single-Tone FFT of Channel A Digitizing $f_{IN} = 120$ MHz While Channel B Is Digitizing $f_{IN} = 126$ MHz

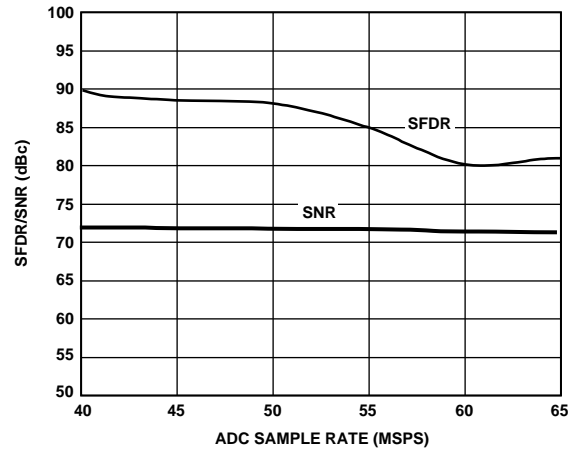


Figure 8. AD9248-65 Single-Tone SFDR/SNR vs. FS with $f_{IN} = 32.5$ MHz

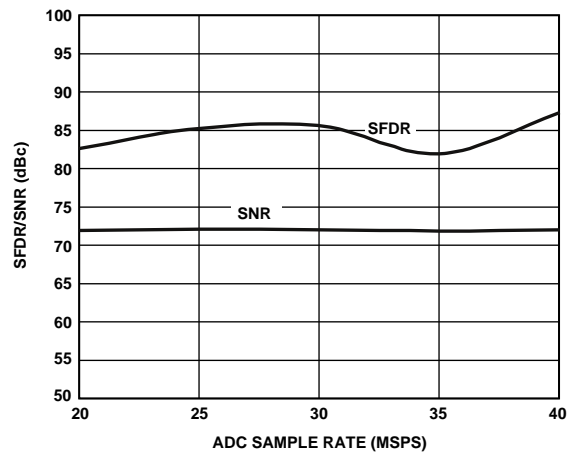


Figure 9. AD9248-40 Single-Tone SFDR/SNR vs. FS with $f_{IN} = 20$ MHz

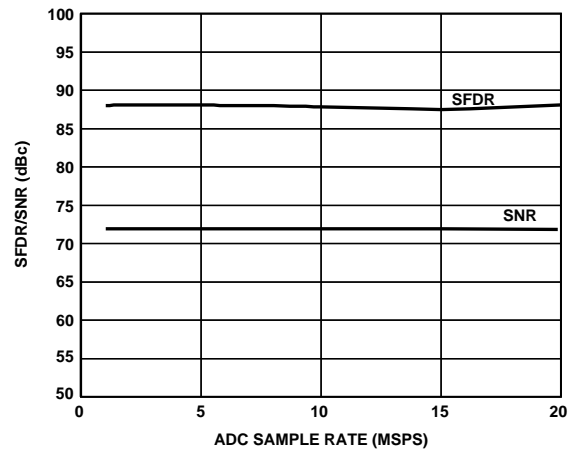
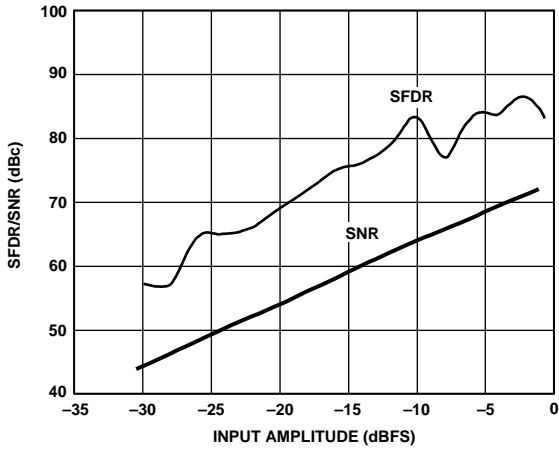
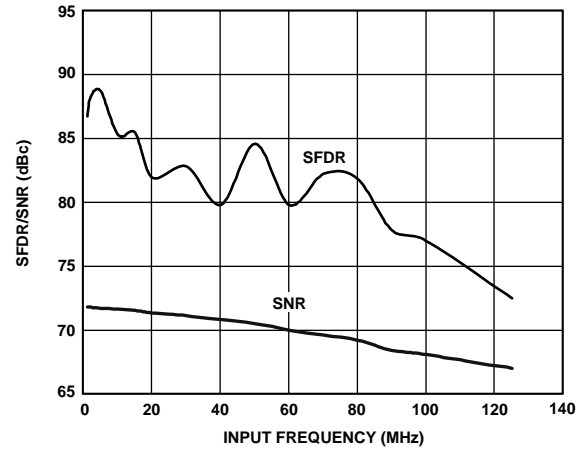


Figure 10. AD9248-20 Single-Tone SFDR/SNR vs. FS with $f_{IN} = 10$ MHz



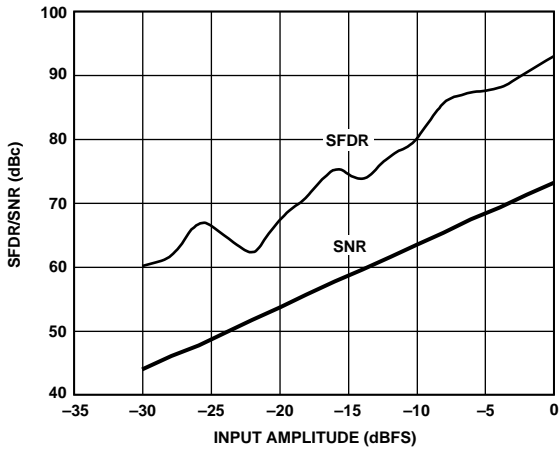
04446-010

Figure 11. AD9248-65 Single-Tone SFDR/SNR vs. A_{IN} with $f_{IN} = 32.5$ MHz



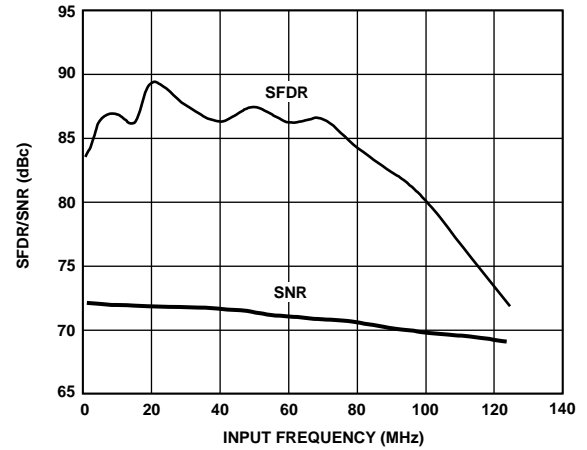
04446-013

Figure 14. AD9248-65 Single-Tone SFDR/SNR vs. f_{IN}



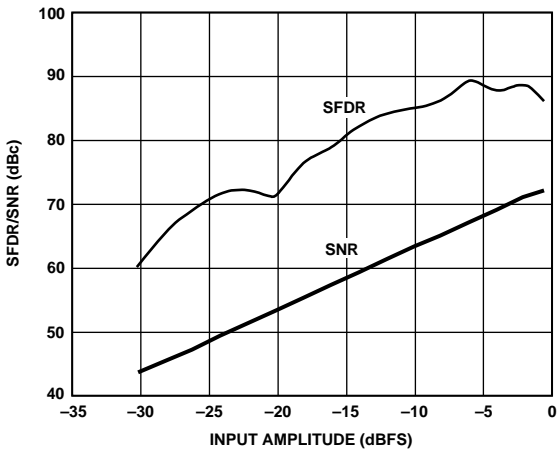
04446-011

Figure 12. AD9248-40 Single-Tone SFDR/SNR vs. A_{IN} with $f_{IN} = 20$ MHz



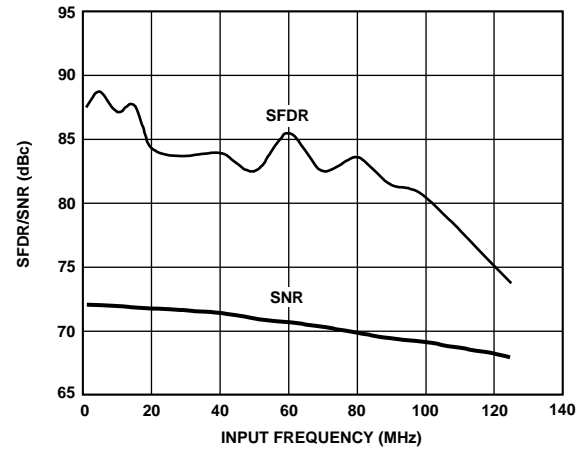
04446-014

Figure 15. AD9248-40 Single-Tone SFDR/SNR vs. f_{IN}



04446-012

Figure 13. AD9248-20 Single-Tone SFDR/SNR vs. A_{IN} with $f_{IN} = 10$ MHz



04446-015

Figure 16. AD9248-20 Single-Tone SFDR/SNR vs. f_{IN}

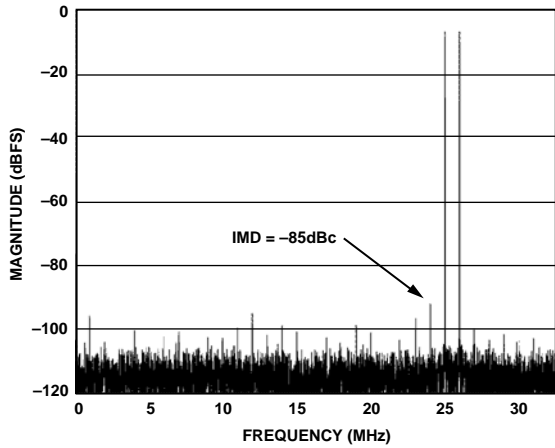


Figure 17. Dual-Tone FFT with $f_{IN1} = 39$ MHz and $f_{IN2} = 40$ MHz

04446-063

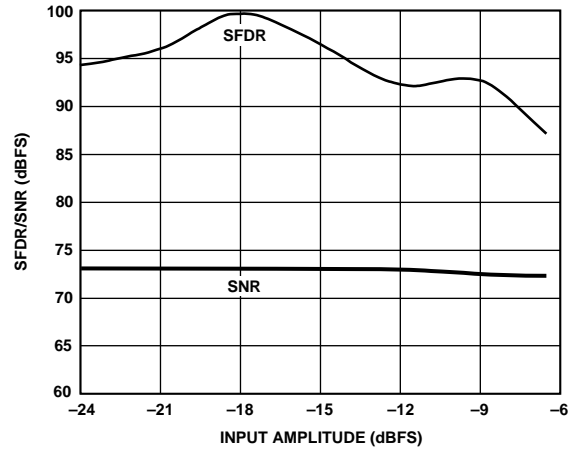


Figure 20. Dual-Tone SFDR/SNR vs. A_{IN} with $f_{IN1} = 45$ MHz and $f_{IN2} = 46$ MHz

04446-019

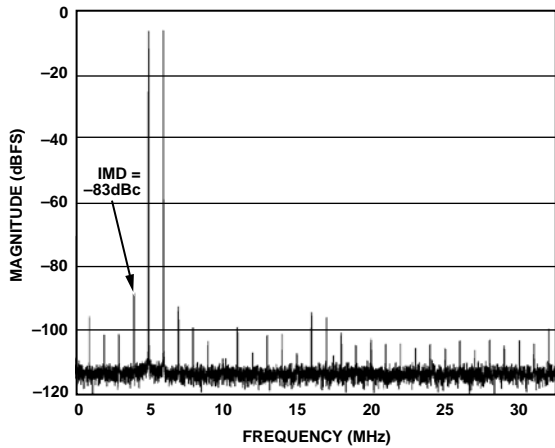


Figure 18. Dual-Tone FFT with $f_{IN1} = 70$ MHz and $f_{IN2} = 71$ MHz

04446-064

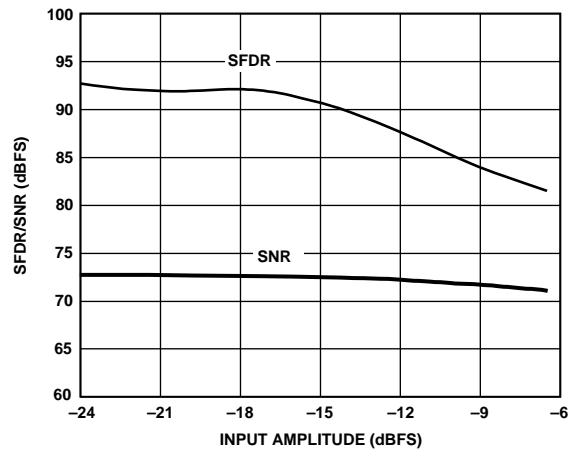


Figure 21. Dual-Tone SFDR/SNR vs. A_{IN} with $f_{IN1} = 70$ MHz and $f_{IN2} = 71$ MHz

04446-020

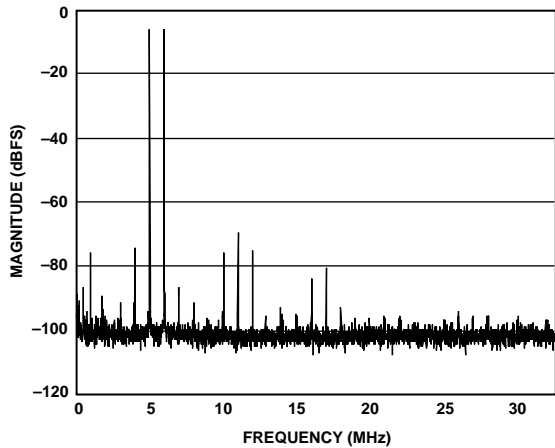


Figure 19. Dual-Tone FFT with $f_{IN1} = 200$ MHz and $f_{IN2} = 201$ MHz

04446-018

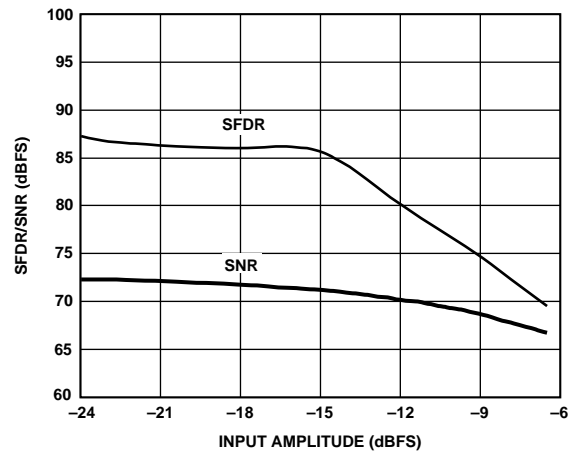


Figure 22. Dual-Tone SFDR/SNR vs. A_{IN} with $f_{IN1} = 200$ MHz and $f_{IN2} = 201$ MHz

04446-021

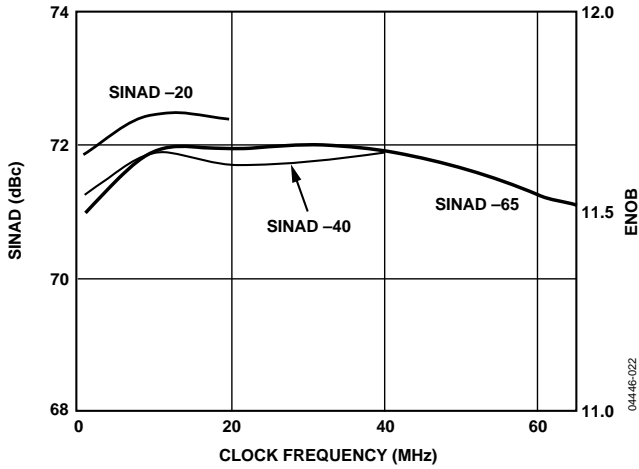


Figure 23. SINAD vs. FS with Nyquist Input

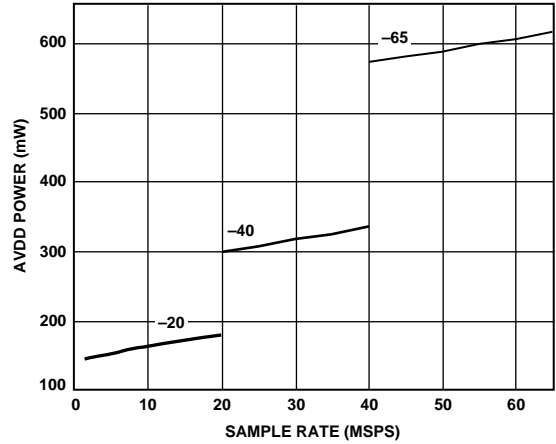


Figure 26. Analog Power Consumption vs. FS

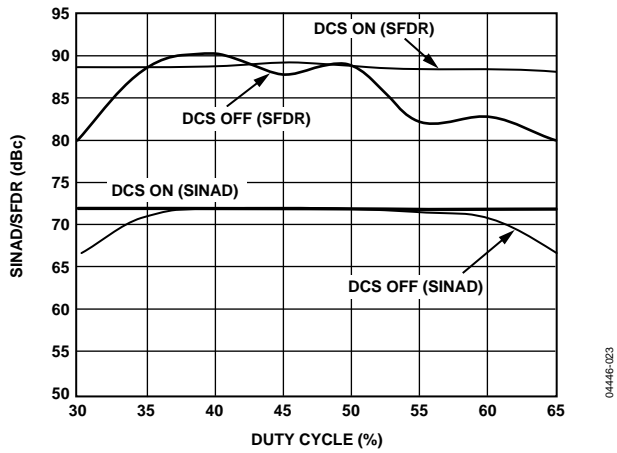


Figure 24. SINAD/SFDR vs. Clock Duty Cycle

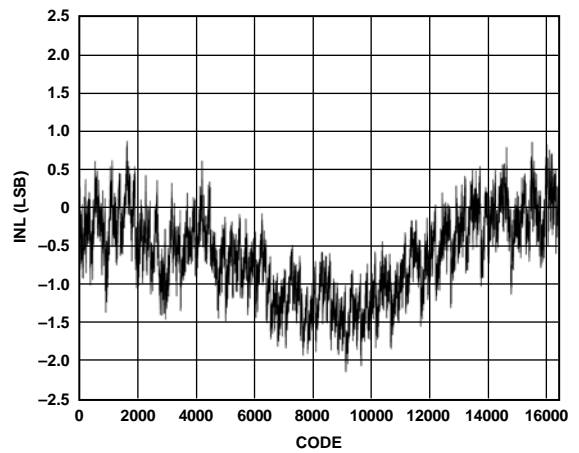


Figure 27. AD9248-65 Typical INL

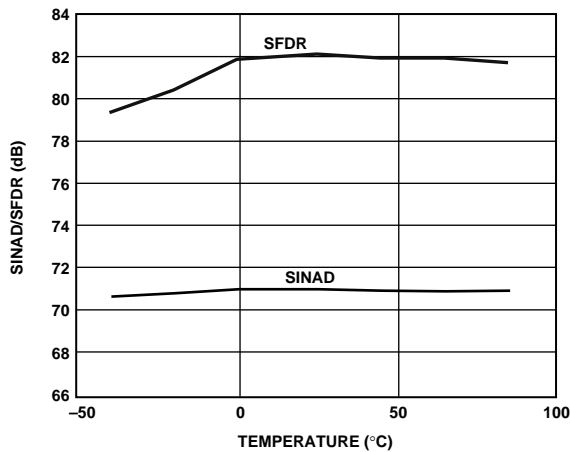


Figure 25. SINAD/SFDR vs. Temperature with $f_{IN} = 32.5$ MHz

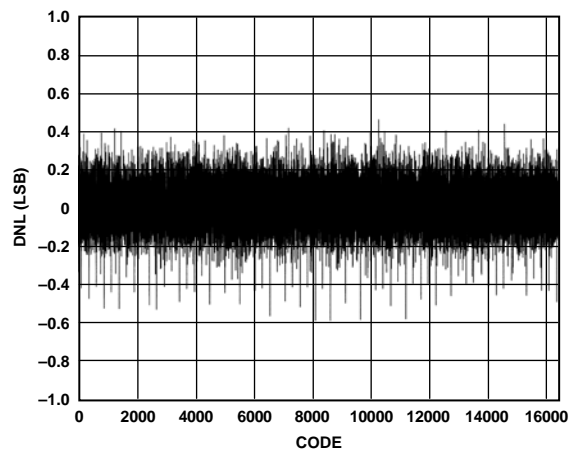


Figure 28. AD9248-65 Typical DNL

EQUIVALENT CIRCUITS

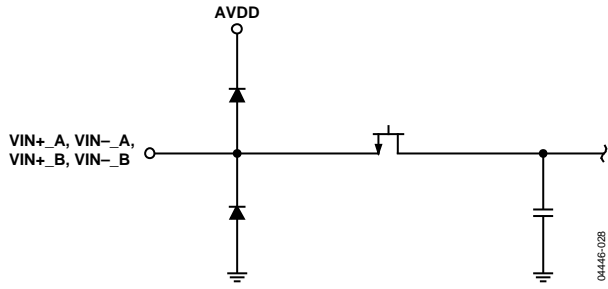


Figure 29. Equivalent Analog Input Circuit

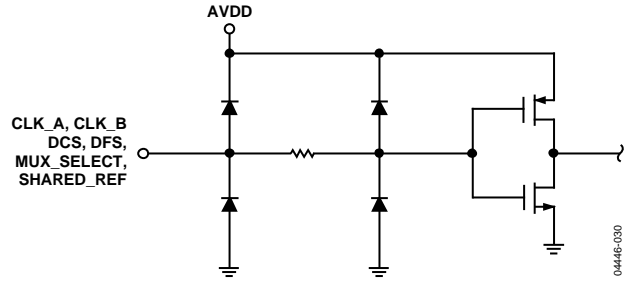


Figure 31. Equivalent Digital Input Circuit

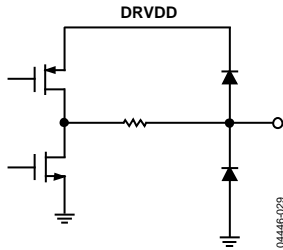


Figure 30. Equivalent Digital Output Circuit

THEORY OF OPERATION

The AD9248 consists of two high performance ADCs that are based on the AD9235 converter core. The dual ADC paths are independent, except for a shared internal band gap reference source, VREF. Each of the ADC paths consists of a proprietary front end SHA followed by a pipelined switched-capacitor ADC. The pipelined ADC is divided into three sections, consisting of a 4-bit first stage, followed by eight 1.5-bit stages, and a final 3-bit flash. Each stage provides sufficient overlap to correct for flash errors in the preceding stages. The quantized outputs from each stage are combined through the digital correction logic block into a final 14-bit result. The pipelined architecture permits the first stage to operate on a new input sample, while the remaining stages operate on preceding samples. Sampling occurs on the rising edge of the respective clock.

Each stage of the pipeline, excluding the last, consists of a low resolution flash ADC and a residual multiplier to drive the next stage of the pipeline. The residual multiplier uses the flash ADC output to control a switched-capacitor digital-to-analog converter (DAC) of the same resolution. The DAC output is subtracted from the stage's input signal and the residual is amplified (multiplied) to drive the next pipeline stage. The residual multiplier stage is also called a multiplying DAC (MDAC). One bit of redundancy is used in each one of the stages to facilitate digital correction of flash errors. The last stage simply consists of a flash ADC.

The input stage contains a differential SHA that can be configured as ac- or dc-coupled in differential or single-ended modes. The output-staging block aligns the data, carries out the error correction, and passes the data to the output buffers. The output buffers are powered from a separate supply, allowing adjustment of the output voltage swing.

ANALOG INPUT

The analog input to the AD9248 is a differential, switched-capacitor SHA that has been designed for optimum performance while processing a differential input signal. The SHA input accepts inputs over a wide common-mode range. An input common-mode voltage of midsupply is recommended to maintain optimal performance.

The SHA input is a differential switched-capacitor circuit. In Figure 32, the clock signal alternatively switches the SHA between sample mode and hold mode. When the SHA is switched into sample mode, the signal source must be capable of charging the sample capacitors and settling within one-half of a clock cycle. A small resistor in series with each input can help reduce the peak transient current required from the output stage of the driving source. Also, a small shunt capacitor can be placed across the inputs to provide dynamic charging currents. This passive network creates a low-pass filter at the ADC input; therefore, the precise values are dependent on the application.

In IF under-sampling applications, any shunt capacitors should be removed. In combination with the driving source impedance, they limit the input bandwidth. For best dynamic performance, the source impedances driving VIN+ and VIN– should be matched such that common-mode settling errors are symmetrical. These errors are reduced by the common-mode rejection of the ADC.

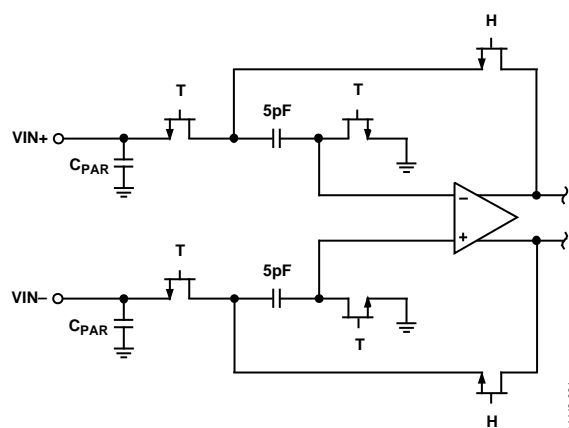


Figure 32. Switched-Capacitor Input

An internal differential reference buffer creates positive and negative reference voltages, REFT and REFB, respectively, that define the span of the ADC core. The output common mode of the reference buffer is set to midsupply, and the REFT and REFB voltages and span are defined as:

$$REFT = \frac{1}{2}(AVDD + V_{REF})$$

$$REFB = \frac{1}{2}(AVDD - V_{REF})$$

$$Span = 2 \times (REFT - REFB) = 2 \times V_{REF}$$

The equations above show that the REFT and REFB voltages are symmetrical about the midsupply voltage and, by definition, the input span is twice the value of the VREF voltage.

The internal voltage reference can be pin-strapped to fixed values of 0.5 V or 1.0 V or adjusted within the same range as discussed in the Internal Reference Connection section. Maximum SNR performance is achieved with the AD9248 set to the largest input span of 2 V p-p. The relative SNR degradation is 3 dB when changing from 2 V p-p mode to 1 V p-p mode.

The SHA may be driven from a source that keeps the signal peaks within the allowable range for the selected reference voltage. The minimum and maximum common-mode input levels are defined as:

$$VCM_{MIN} = V_{REF}/2$$

$$VCM_{MAX} = (AVDD + V_{REF})/2$$

AD9248

The minimum common-mode input level allows the AD9248 to accommodate ground-referenced inputs. Although optimum performance is achieved with a differential input, a single-ended source may be driven into VIN+ or VIN-. In this configuration, one input accepts the signal, while the opposite input should be set to midscale by connecting it to an appropriate reference. For example, a 2 V p-p signal may be applied to VIN+, while a 1 V reference is applied to VIN-. The AD9248 then accepts an input signal varying between 2 V and 0 V. In the single-ended configuration, distortion performance may degrade significantly as compared to the differential case. However, the effect is less noticeable at lower input frequencies and in the lower speed grade models (AD9248-40 and AD9248-20).

Differential Input Configurations

As previously detailed, optimum performance is achieved while driving the AD9248 in a differential input configuration. For baseband applications, the AD8138 differential driver provides excellent performance and a flexible interface to the ADC. The output common-mode voltage of the AD8138 is easily set to AVDD/2, and the driver can be configured in a Sallen-Key filter topology to provide band limiting of the input signal.

At input frequencies in the second Nyquist zone and above, the performance of most amplifiers is not adequate to achieve the true performance of the AD9248. This is especially true in IF under-sampling applications where frequencies in the 70 MHz to 200 MHz range are being sampled. For these applications, differential transformer coupling is the recommended input configuration, as shown in Figure 33.

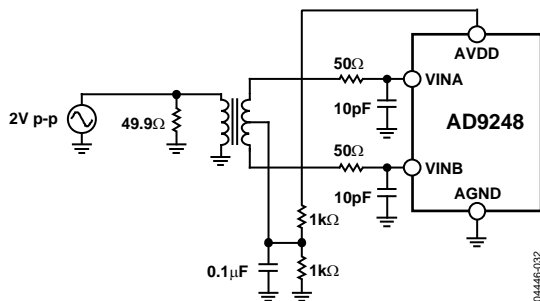


Figure 33. Differential Transformer Coupling

The signal characteristics must be considered when selecting a transformer. Most RF transformers saturate at frequencies below a few MHz, and excessive signal power can also cause core saturation, which leads to distortion.

Single-Ended Input Configuration

A single-ended input may provide adequate performance in cost-sensitive applications. In this configuration, there is a degradation in SFDR and distortion performance due to the large input common-mode swing. However, if the source impedances on each input are matched, there should be little effect on SNR performance.

CLOCK INPUT AND CONSIDERATIONS

Typical high speed ADCs use both clock edges to generate a variety of internal timing signals and, as a result, may be sensitive to the clock duty cycle. Commonly, a 5% tolerance is required on the clock duty cycle to maintain dynamic performance characteristics.

The AD9248 provides separate clock inputs for each channel. The optimum performance is achieved with the clocks operated at the same frequency and phase. Clocking the channels asynchronously may degrade performance significantly. In some applications, it is desirable to skew the clock timing of adjacent channels. The AD9248's separate clock inputs allow for clock timing skew (typically ± 1 ns) between the channels without significant performance degradation.

The AD9248-65 contains two clock duty cycle stabilizers, one for each converter, that retime the nonsampling edge, providing an internal clock with a nominal 50% duty cycle. When proper track-and-hold times for the converter are required to maintain high performance, maintaining a 50% duty cycle clock is particularly important in high speed applications. It may be difficult to maintain a tightly controlled duty cycle on the input clock on the PCB (see Figure 24). DCS can be enabled by tying the DCS pin high.

The duty cycle stabilizer uses a delay-locked loop to create the nonsampling edge. As a result, any changes to the sampling frequency require approximately 2 μ s to 3 μ s to allow the DLL to acquire and settle to the new rate.

High speed, high resolution ADCs are sensitive to the quality of the clock input. The degradation in SNR at a given full-scale input frequency (f_{INPUT}) due only to aperture jitter (t_j) can be calculated as

$$SNR = 20 \times \log \left[\frac{1}{(2 \times \pi \times f_{INPUT} \times t_j)} \right]$$

In the equation, the rms aperture jitter, t_j , represents the root-sum square of all jitter sources, which includes the clock input, analog input signal, and ADC aperture jitter specification. Under-sampling applications are particularly sensitive to jitter.

For optimal performance, especially in cases where aperture jitter may affect the dynamic range of the AD9248, it is important to minimize input clock jitter. The clock input circuitry should use stable references; for example, use analog power and ground planes to generate the valid high and low digital levels for the AD9248 clock input. Power supplies for clock drivers should be separated from the ADC output driver supplies to avoid modulating the clock signal with digital noise. Low jitter, crystal-controlled oscillators make the best clock sources. If the clock is generated from another type of source (by gating, dividing, or other methods), it should be retimed by the original clock at the last step.

POWER DISSIPATION AND STANDBY MODE

The power dissipated by the AD9248 is proportional to its sampling rates. The digital (DRVDD) power dissipation is determined primarily by the strength of the digital drivers and the load on each output bit. The digital drive current can be calculated by

$$I_{DRVDD} = V_{DRVDD} \times C_{LOAD} \times f_{CLOCK} \times N$$

where N is the number of bits changing, and C_{LOAD} is the average load on the digital pins that changed.

The analog circuitry is optimally biased so that each speed grade provides excellent performance while affording reduced power consumption. Each speed grade dissipates a baseline power at low sample rates that increases with clock frequency.

Either channel of the AD9248 can be placed into standby mode independently by asserting the PDWN_A or PDWN_B pins.

It is recommended that the input clock(s) and analog input(s) remain static during either independent or total standby, which results in a typical power consumption of 1 mW for the ADC. Note that if DCS is enabled, it is mandatory to disable the clock of an independently powered-down channel. Otherwise, significant distortion results on the active channel. If the clock inputs remain active while in total standby mode, typical power dissipation of 12 mW results.

The minimum standby power is achieved when both channels are placed into full power-down mode (PDWN_A = PDWN_B = HI). Under this condition, the internal references are powered down. When either or both of the channel paths are enabled after a power-down, the wake-up time is directly related to the recharging of the REFT and REFB decoupling capacitors and to the duration of the power-down. Typically, it takes approximately 5 ms to restore full operation with fully discharged 0.1 μ F and 10 μ F decoupling capacitors on REFT and REFB.

A single channel can be powered down for moderate power savings. The powered-down channel shuts down internal circuits, but both the reference buffers and shared reference remain powered on. Because the buffer and voltage reference remain powered on, the wake-up time is reduced to several clock cycles.

DIGITAL OUTPUTS

The AD9248 output drivers can be configured to interface with 2.5 V or 3.3 V logic families by matching DRVDD to the digital supply of the interfaced logic. The output drivers are sized to provide sufficient output current to drive a wide variety of logic families. However, large drive currents tend to cause current glitches on the supplies that may affect converter performance. Applications requiring the ADC to drive large capacitive loads or large fanouts may require external buffers or latches.

The data format can be selected for either offset binary or twos complement. See the Data Format section for more information.

TIMING

The AD9248 provides latched data outputs with a pipeline delay of seven clock cycles. Data outputs are available one propagation delay (t_{PD}) after the rising edge of the clock signal. Refer to Figure 2 for a detailed timing diagram.

The internal duty cycle stabilizer can be enabled on the AD9248 using the DCS pin. This provides a stable 50% duty cycle to internal circuits.

The length of the output data lines and loads placed on them should be minimized to reduce transients within the AD9248. These transients can detract from the converter's dynamic performance. The lowest typical conversion rate of the AD9248 is 1 MSPS. At clock rates below 1 MSPS, dynamic performance may degrade.

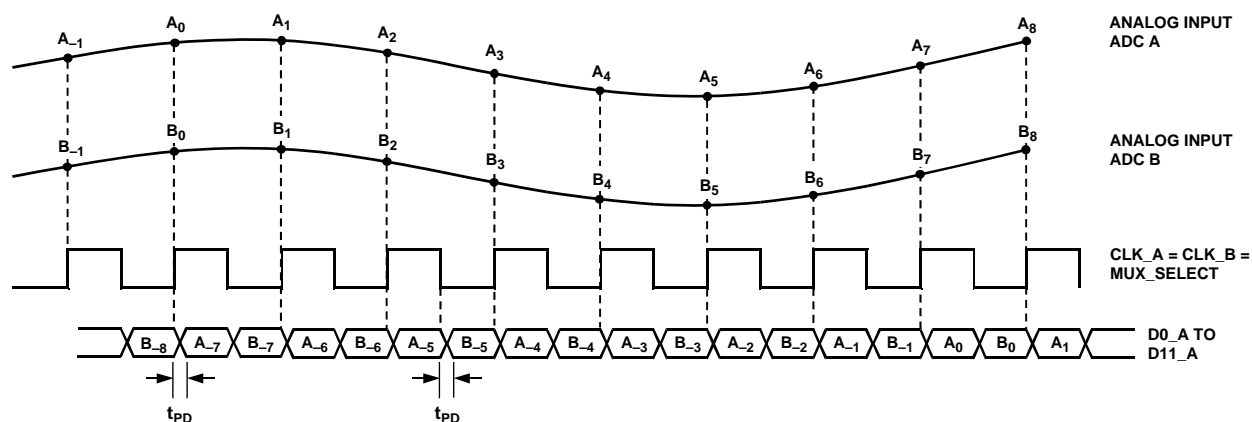


Figure 34. Multiplexed Data Format Using the Channel A Output and the Same Clock Tied to CLK_A, CLK_B, and MUX_SELECT

0446-033

External Reference Operation

The use of an external reference may be necessary to enhance the gain accuracy of the ADC or to improve thermal drift characteristics. When multiple ADCs track one another, a single reference (internal or external) may be necessary to reduce gain matching errors to an acceptable level. A high precision external reference may also be selected to provide lower gain and offset temperature drift. Figure 37 shows the typical drift characteristics of the internal reference in both 1 V and 0.5 V modes. When the SENSE pin is tied to AVDD, the internal reference is disabled, allowing the use of an external reference. An internal reference buffer loads the external reference with an equivalent 7 kΩ load. The internal buffer still generates the positive and negative full-scale references, REFT and REFB, for the ADC core. The input span is always twice the value of the reference voltage; therefore, the external reference must be limited to a maximum of 1 V. If the internal reference of the AD9248 is used to drive multiple converters to improve gain matching, the loading of the reference by the other converters must be considered. Figure 38 depicts how the internal reference voltage is affected by loading.

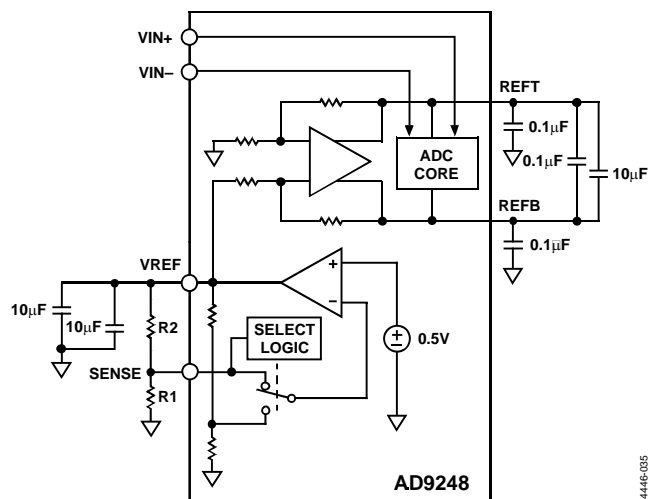


Figure 36. Programmable Reference Configuration

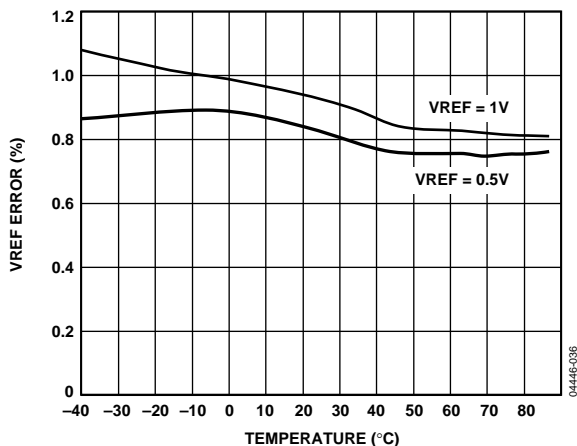


Figure 37. Typical VREF Drift

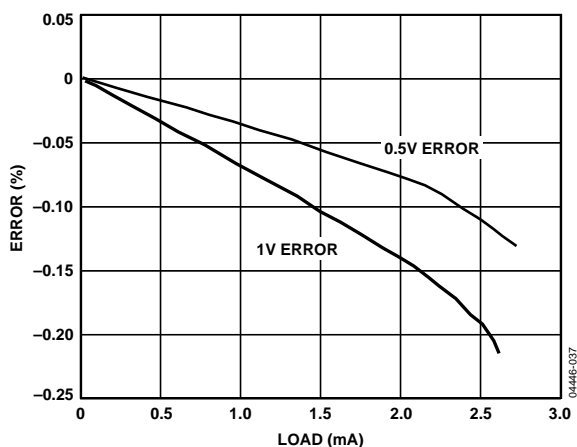


Figure 38. VREF Accuracy vs. Load

AD9248 LQFP EVALUATION BOARD

The evaluation board supports both the AD9238 and AD9248 and has five main sections: clock circuitry, inputs, reference circuitry, digital control logic, and outputs. A description of each section follows. Table 8 shows the jumper settings and notes assumptions in the comment column.

Four supply connections to TB1 are necessary for the evaluation board: the analog supply of the DUT, the on-board analog circuitry supply, the digital driver DUT supply, and the on-board digital circuitry supply. Separate analog and digital supplies are recommended, and on each supply 3 V is nominal. Each supply is decoupled on-board, and each IC, including the DUT, is decoupled locally. All grounds should be tied together.

CLOCK CIRCUITRY

The clock circuitry is designed for a low jitter sine wave source to be ac-coupled and level shifted before driving the 74VHC04 hex inverter chips (U8 and U9) whose output provides the clock to the part. The POT (R32 and R31) on the level shifting circuitry allows the user to vary the duty cycle if desired. The amplitude of the sine wave must be large enough for the trip points of the hex inverter and within the supplies to avoid noise from clipping. To ensure a 50% duty cycle internal to the part, the AD9248-65 has an on-chip duty cycle stabilizer circuit that is enabled by putting in Jumper JP11. The duty cycle stabilizer circuitry should only be used at clock rates above 40 MSPS.

Each channel has its own clock circuitry, but normally both clock pins are driven by a single 74VHC04, and the solder Jumper JP24 is used to tie the clock pins together. When the clock pins are tied together and only one 74VHC04 is being used, the series termination resistor for the other channel must be removed (either R54 or R55, depending on which inverter is being used).

A data capture clock for each channel is created and sent to the output buffers in order to be used in the data capture system if needed. Jumper JP25 and Jumper JP26 are used to invert the data clock, if necessary, and can be used to debug data capture timing problems.

ANALOG INPUTS

The AD9248 achieves the best performance with a differential input. The evaluation board has two input options for each channel, a transformer (XFMR) and an AD8138, both of which perform single-ended-to-differential conversions. The XFMR allows for the best high frequency performance, and the AD8138 is ideal for dc evaluation, low frequency inputs, and driving an ADC differentially without loading the single-ended signal.

The common-mode level for both input options is set to midsupply by a resistor divider off the AVDD supply but can also be overdriven with an external supply using the (test points) TP12, TP13 for the AD8138s, and TP14, TP15 for the XFMRs. For low distortion of full-scale input signals when using an AD8138, put Jumper JP17 and Jumper JP22 in Position B and put an external negative supply on the TP10 and TP11 testpoints.

For best performance, use low jitter input sources and a high performance band-pass filter after the signal source, before the evaluation board (see Figure 39). For XFMR inputs, use solder Jumper JP13 and Jumper JP14 for Channel A, and Jumper JP20 and Jumper JP21 for Channel B. For AD8138 inputs, use solder Jumper JP15 and Jumper JP16 for Channel A, and Jumper JP18 and Jumper JP19 for Channel B. Remove all solder from the jumpers not being used.

REFERENCE CIRCUITRY

The evaluation board circuitry allows the user to select a reference mode through a series of jumpers and provides an external reference if necessary. Please refer to Table 9 to find the jumper settings for each reference mode. The external reference on the board is a simple resistor divider/zener diode circuit buffered by an AD822 (U4). The POT (R4) can be used to change the level of the external reference to fine adjust the ADC full scale.

DIGITAL CONTROL LOGIC

The digital control logic on the evaluation board is a series of jumpers and pull-down resistors used as digital inputs for the following pins on the AD9248: the power-down and output enable bar for each channel, the duty cycle restore circuitry, the twos complement output mode, the shared reference mode, and the MUX_SELECT pin. Refer to Table 8 for normal operating jumper positions.

OUTPUTS

The outputs of the AD9248 (and the data clock discussed earlier) are buffered by 74VHC541s (U2, U3, U7, U10) to ensure the correct load on the outputs of the DUT, as well as the extra drive capability to the next part of the system. The 74VHC541s are latches, but on this evaluation board, they are wired and function as buffers. Jumper JP30 can be used to tie the data clocks together if desired. If the data clocks are tied, the R39 or R40 resistor must be removed, depending on which clock circuitry is being used.

Table 8. PCB Jumpers

| JP | Description | Normal Setting | Comment |
|----|------------------|----------------|----------------------------|
| 1 | Reference | Out | 1 V Reference Mode |
| 2 | Reference | In | 1 V Reference Mode |
| 3 | Reference | Out | 1 V Reference Mode |
| 4 | Reference | Out | 1 V Reference Mode |
| 5 | Reference | Out | 1 V Reference Mode |
| 6 | Shared Reference | Out | |
| 7 | Shared Reference | Out | |
| 8 | PDWN B | Out | |
| 9 | PDWN A | Out | |
| 10 | Shared Reference | Out | |
| 11 | Duty Cycle | In | Duty Cycle Restore On |
| 12 | Twos Complement | Out | |
| 13 | Input | In | Using XFMR Input |
| 14 | Input | In | Using XFMR Input |
| 15 | Input | Out | Using XFMR Input |
| 16 | Input | Out | Using XFMR Input |
| 17 | AD8138 Supply | A | Using XFMR Input |
| 18 | Input | Out | Using XFMR Input |
| 19 | Input | Out | |
| 20 | Input | In | |
| 21 | Input | In | |
| 22 | AD8138 Supply | A | |
| 23 | Mux Select | Out | |
| 24 | Tie Clocks | In | Using One Signal for Clock |
| 25 | Data Clock | A | |
| 26 | Data Clock | Out | Using One Signal for Clock |
| 27 | Mux Select | In | |
| 28 | OEB_A | Out | |
| 29 | Mux Select | Out | |
| 30 | Data Clock | Out | |
| 35 | OEB_B | Out | |

Table 9. Reference Jumpers

| Reference Mode | JP1 | JP2 | JP3 | JP4 | JP5 |
|----------------|-----|-----|-----|-----|-----|
| 1 V Internal | Out | In | Out | Out | Out |
| 0.5 V Internal | Out | Out | In | Out | Out |
| External | In | Out | Out | Out | In |

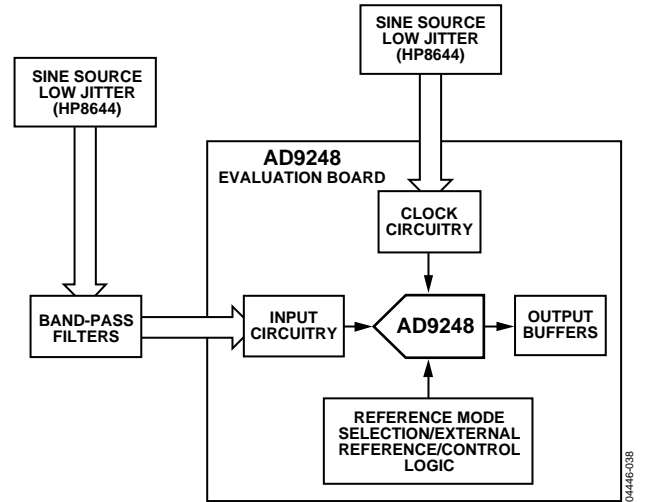


Figure 39. PCB Test Setup

AD9248

LQFP EVALUATION BOARD BILL OF MATERIALS (BOM)

Table 10.

| No. | Quantity | Reference Designator | Device | Package | Value |
|-----|----------|--|---------------|-----------|-----------------|
| 1 | 18 | C1, C2, C11, C12, C27, C28, C33, C34, C50, C51, C73 to C76, C87 to C90 | Capacitors | ACASE | 10 μ F |
| 2 | 23 | C3 to C10, C29 to C31, C56, C61 to C65, C77, C79, C80, C84 to C86 | Capacitors | 0805 | 0.1 μ F |
| 3 | 7 | C13, C15, C18, C19, C21, C23, C25 | Capacitors | 0603 | 0.001 μ F |
| 4 | 15 | C6, C14, C16, C17, C20, C22, C24, C26, C32, C35 to C40 | Capacitors | 0603 | 0.1 μ F |
| 5 | 4 | C41 to C44 | Capacitors | DCASE | 22 μ F |
| 6 | 4 | C45 to C48 | Capacitors | 1206 | 0.1 μ F |
| 7 | 2 | C49, C53 | Capacitors | ACASE | 6.3 V |
| 8 | 2 | C52, C57 | Capacitors | 0201 | 0.01 μ F |
| 9 | 4 | C54, C55, C68, C69 | Capacitors | 0805 | |
| 10 | 4 | C58, C59, C70, C71 | Capacitors | 0603 | DNP |
| 11 | 2 | C60, C72 | Capacitors | 0603 | 20 pF |
| 12 | 1 | D1 | AD1580 | SOT-23CAN | 1.2 V |
| 13 | 1 | J1 | | | SAM080UPM |
| 14 | 14 | JP1 to JP5, JP8 to JP12, JP23, JP28, JP29, JP35 | | JPRBLK02 | |
| 15 | 13 | JP6, JP7, JP13, JP14 to JP16, JP18 to JP21, JP24, JP27, JP30 | | JPRSLD02 | |
| 16 | 4 | JP17, JP22, JP25, JP26 | | JPRBLK03 | |
| 17 | 4 | L1 to L4 | IND1210 | LC1210 | 10 μ H |
| 18 | 6 | R1, R2, R13, R14, R23, R27 | Resistors | 1206 | 33 Ω |
| 19 | 1 | R3 | Resistor | 1206 | 5.49 k Ω |
| 20 | 1 | R4 | Resistor | RV3299UP | 10 k Ω |
| 21 | 7 | R5, R6, R38, R41, R43, R44, R51 | Resistors | 0805 | 5 k Ω |
| 22 | 6 | R7, R8, R19, R20, R52, R53 | Resistors | 1206 | 49.9 Ω |
| 23 | 8 | R9, R18, R29, R30, R47 to R50 | Resistors | 0805 | 1 k Ω |
| 24 | 6 | R10, R12, R15, R24, R25, R28 | Resistors | 1206 | 499 Ω |
| 25 | 2 | R11, R26 | Resistors | 1206 | 523 Ω |
| 26 | 4 | R16, R17, R21, R22 | Resistors | 1206 | 40 Ω |
| 27 | 2 | R31, R32 | Resistors | RV3299W | 10 k Ω |
| 28 | 4 | R33 to R35, R42 | Resistors | 0805 | 500 Ω |
| 29 | 2 | R36, R37 | Resistors | 1206 | 10 k Ω |
| 30 | 2 | R39, R40 | Resistors | 0805 | 22 Ω |
| 31 | 2 | R54, R55 | Resistors | 1206 | 0 Ω |
| 32 | 16 | RP1 to RP16 | Resistor Pack | RCA74204 | 22 Ω |
| 33 | 6 | S1 to S6 | | SMA200UP | |
| 34 | 2 | T1, T2 | | DIP06RCUP | T1-1T |
| 35 | 1 | TB1 | | | TBLK06REM |
| 36 | 4 | TP1, TP3, TP5, TP7 | | LOOPTP | RED |
| 37 | 4 | TP2, TP4, TP6, TP8 | | LOOPTP | BLK |
| 38 | 7 | TP9, TP12 to TP17 | | LOOPMINI | WHT |
| 39 | 2 | TP10, TP11 | | LOOPMINI | RED |
| 40 | 1 | U1 | | 64LQFP7X7 | AD9248 |
| 41 | 4 | U2, U3, U7, U10 | | SOL20 | 74VHC541 |
| 42 | 1 | U4 | | SOIC-8 | AD822 |
| 43 | 2 | U5, U6 | | SO8NC7 | AD8138 |
| 44 | 2 | U8, U9 | | TSSOP-14 | 74VHC04 |

LQFP EVALUATION BOARD SCHEMATICS

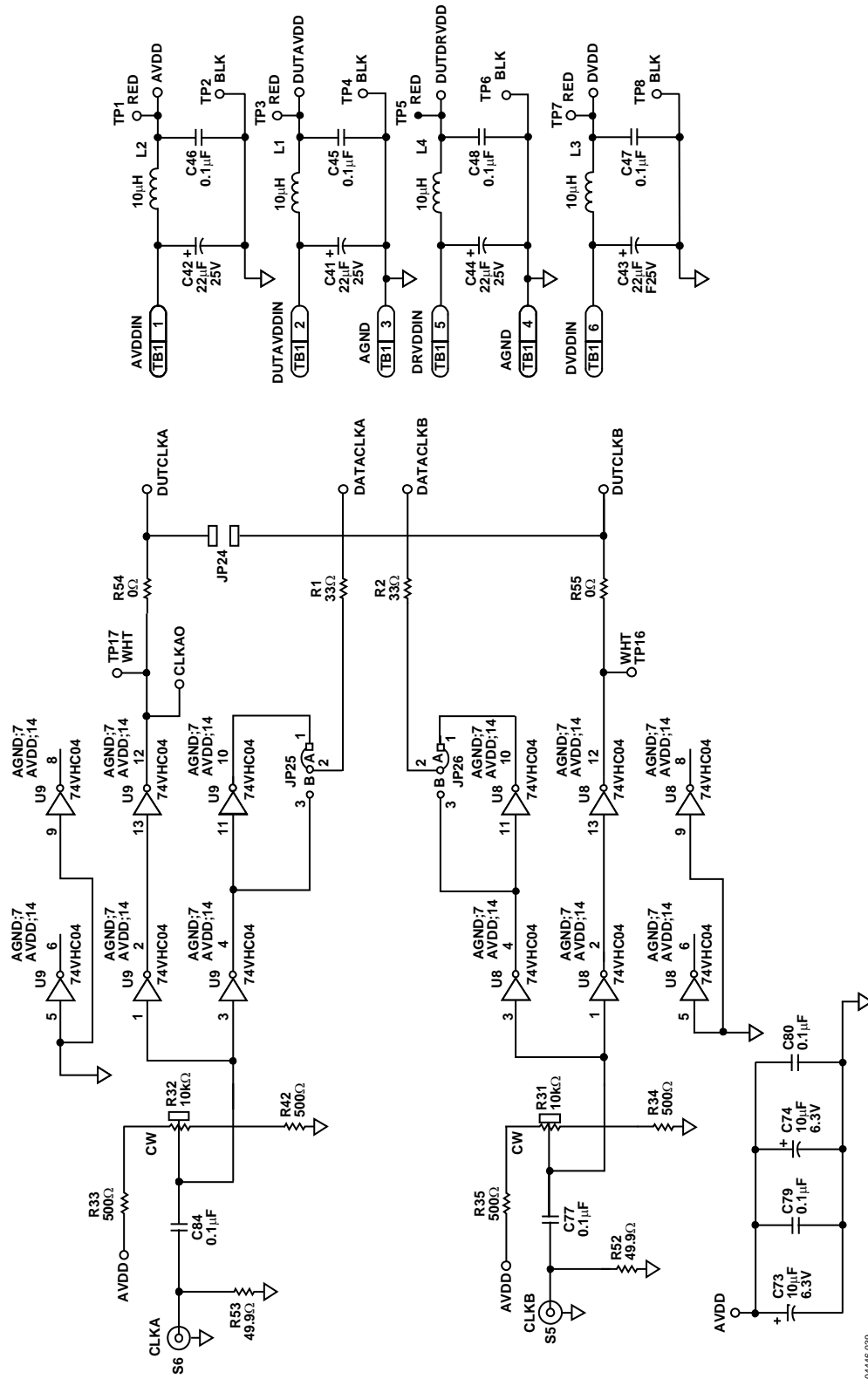


Figure 40. Evaluation Board Schematic

04446-039

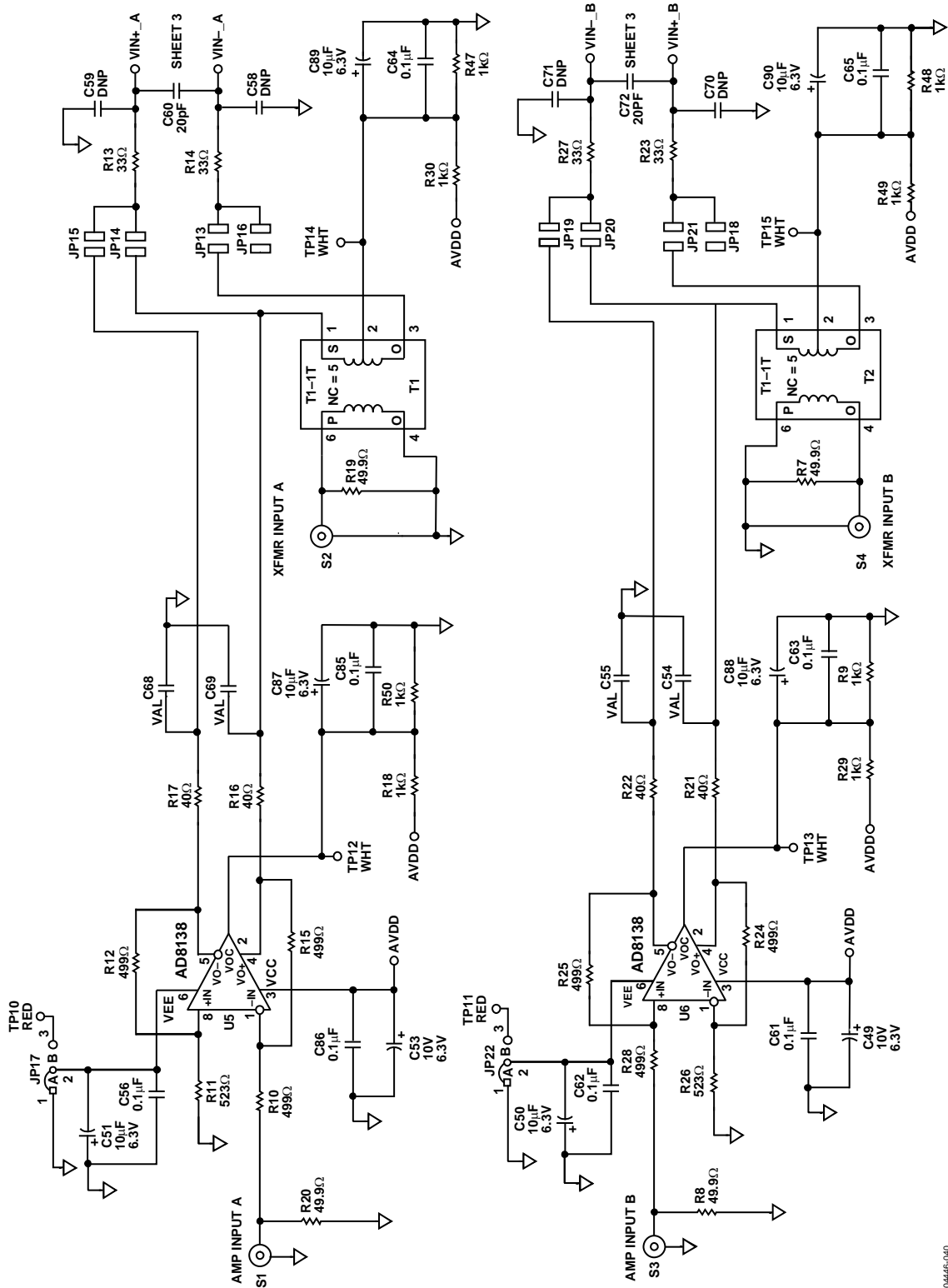


Figure 41. Evaluation Board Schematic (Continued)

04446-040

AD9248

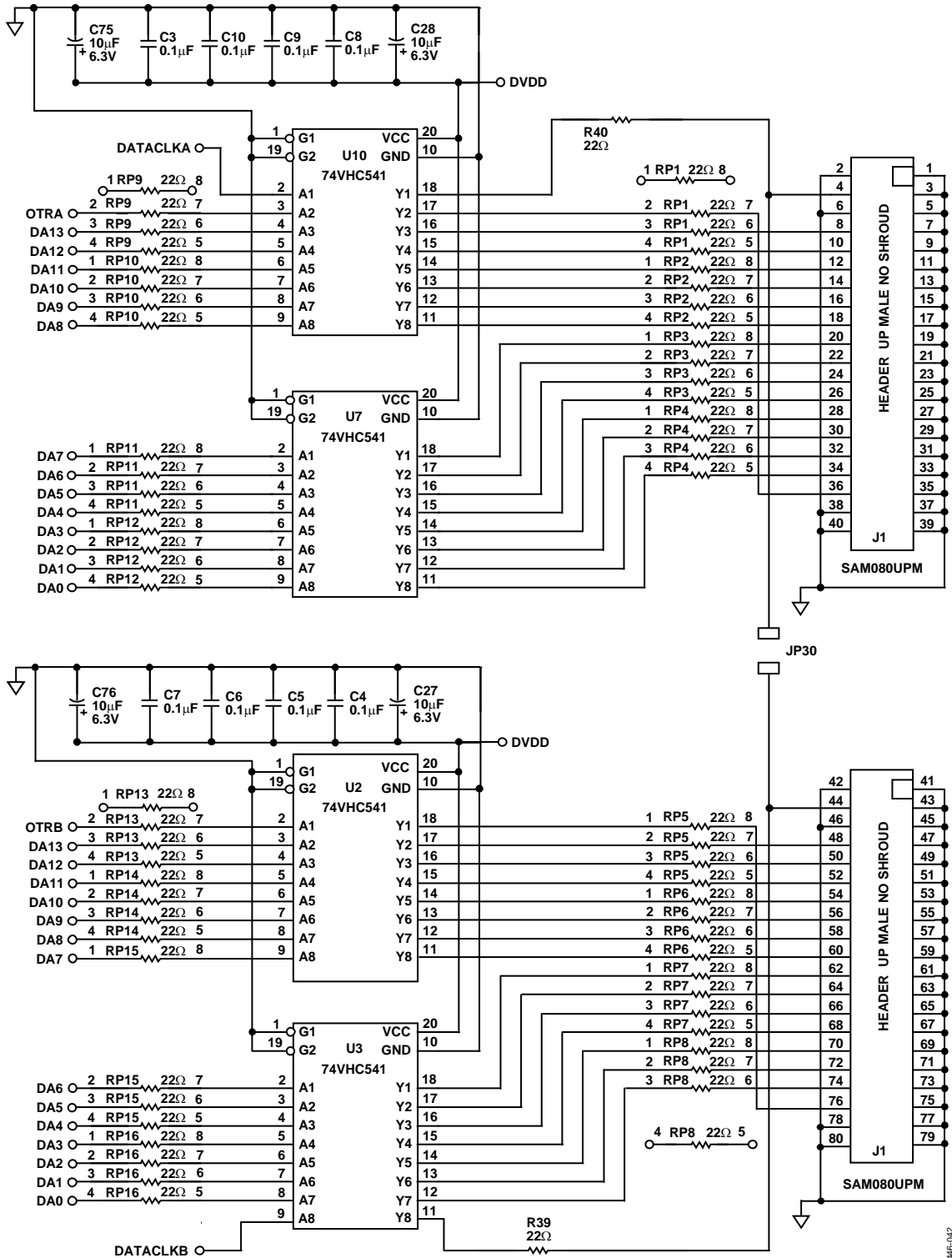
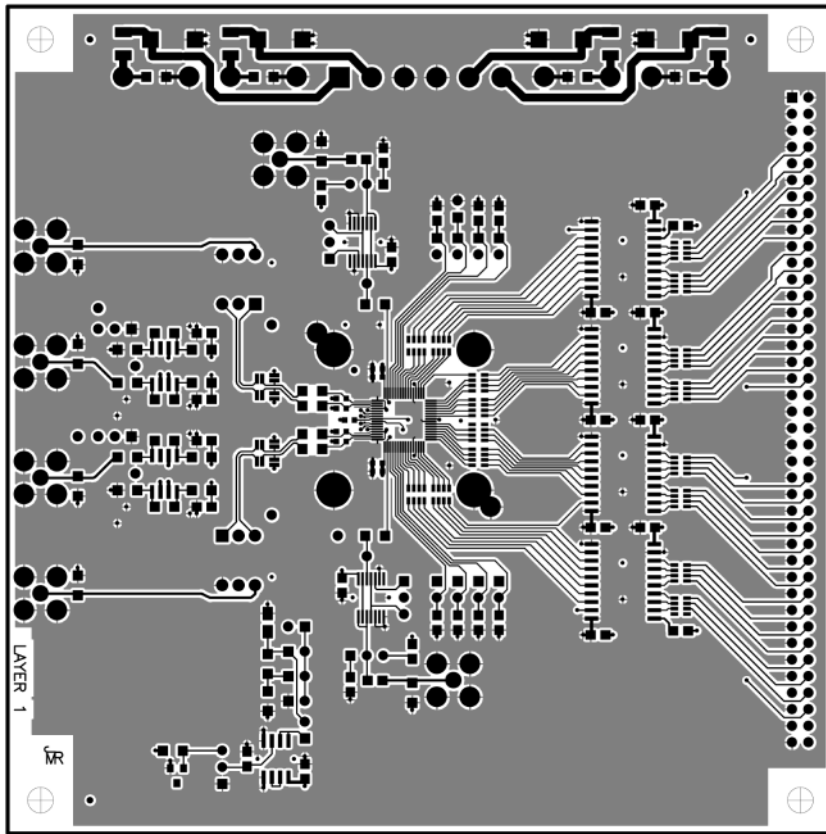


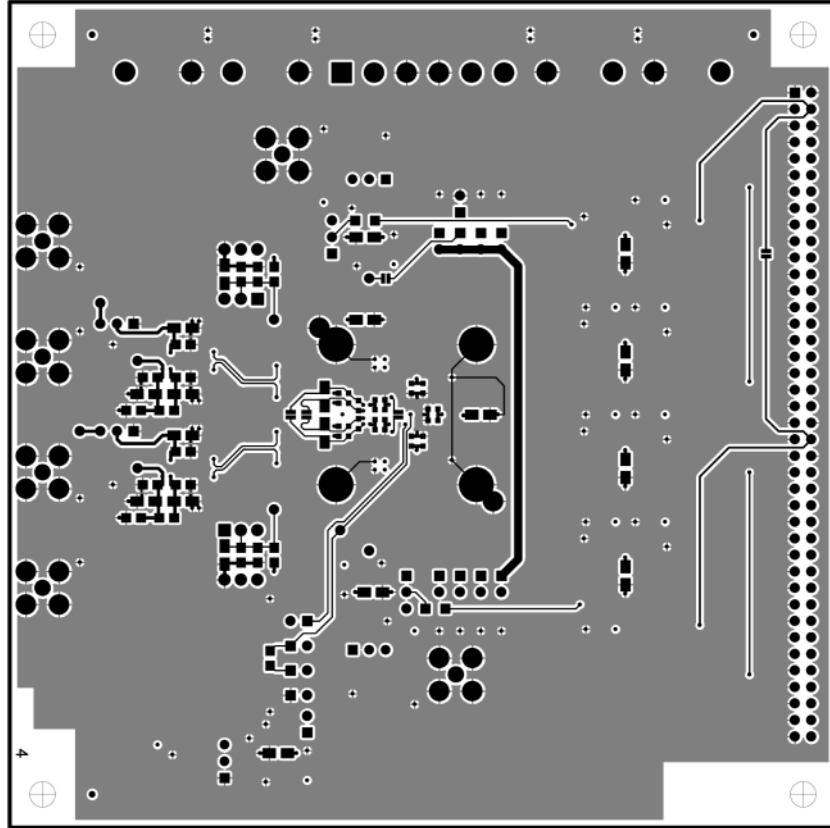
Figure 43. Evaluation Board Schematic (Continued)

LQFP PCB LAYERS



04446-043

Figure 44. PCB Top Layer



04446-044

Figure 45. Bottom Layer

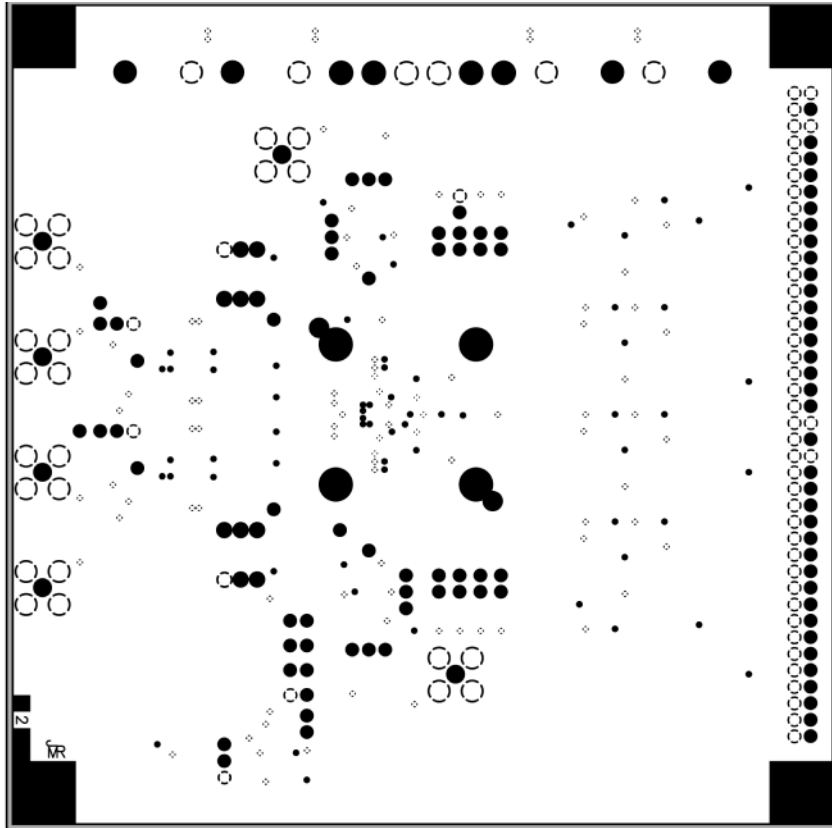


Figure 46. PCB Ground Plane

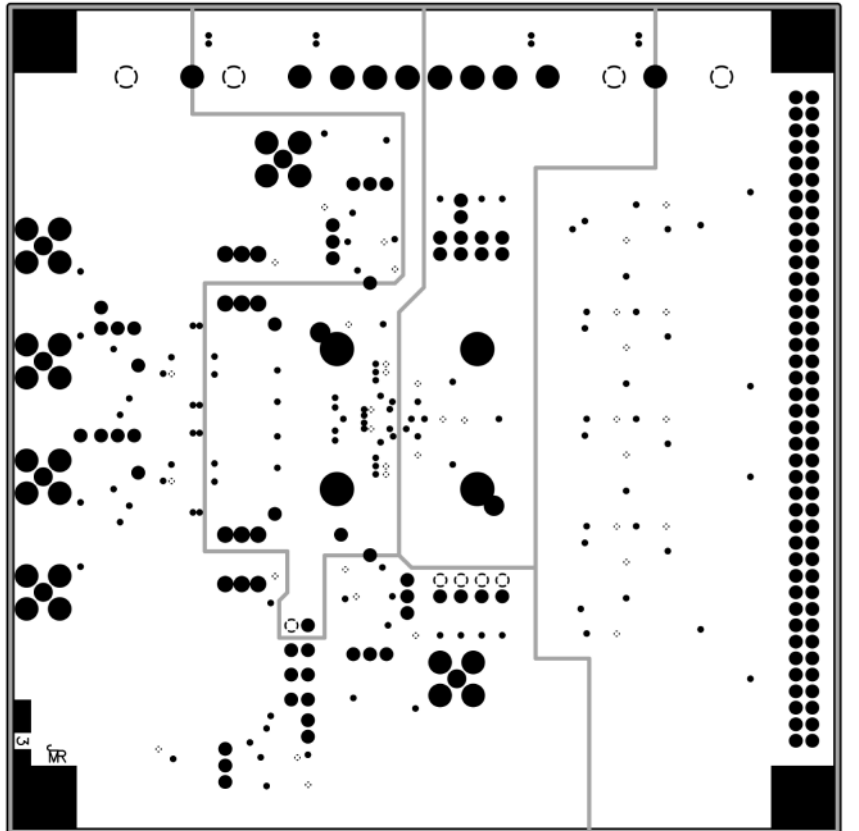


Figure 47. PCB Split Power Plane

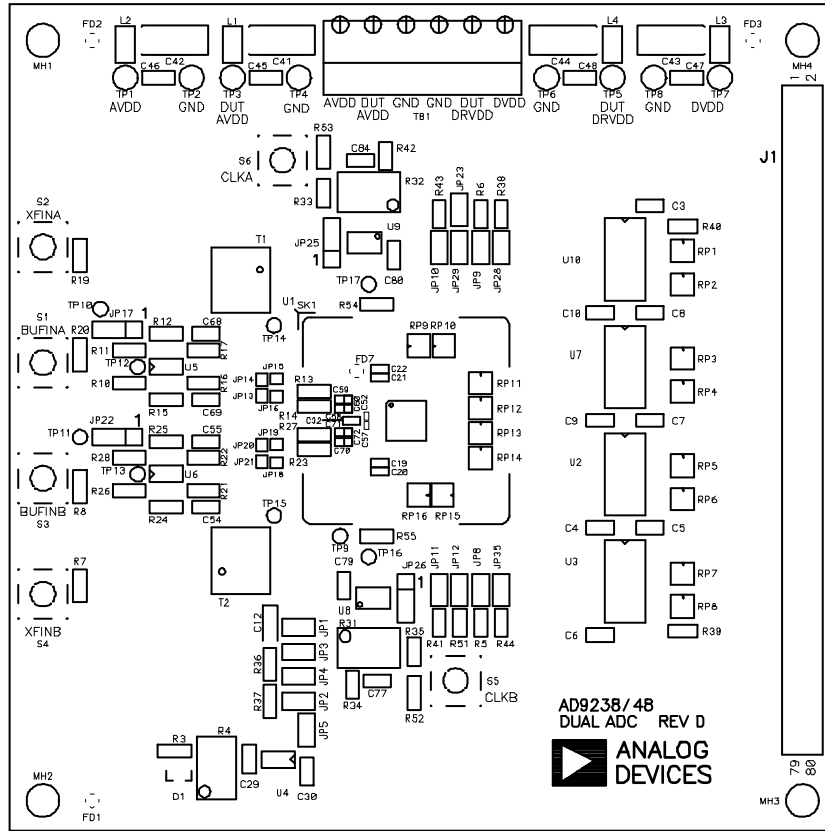
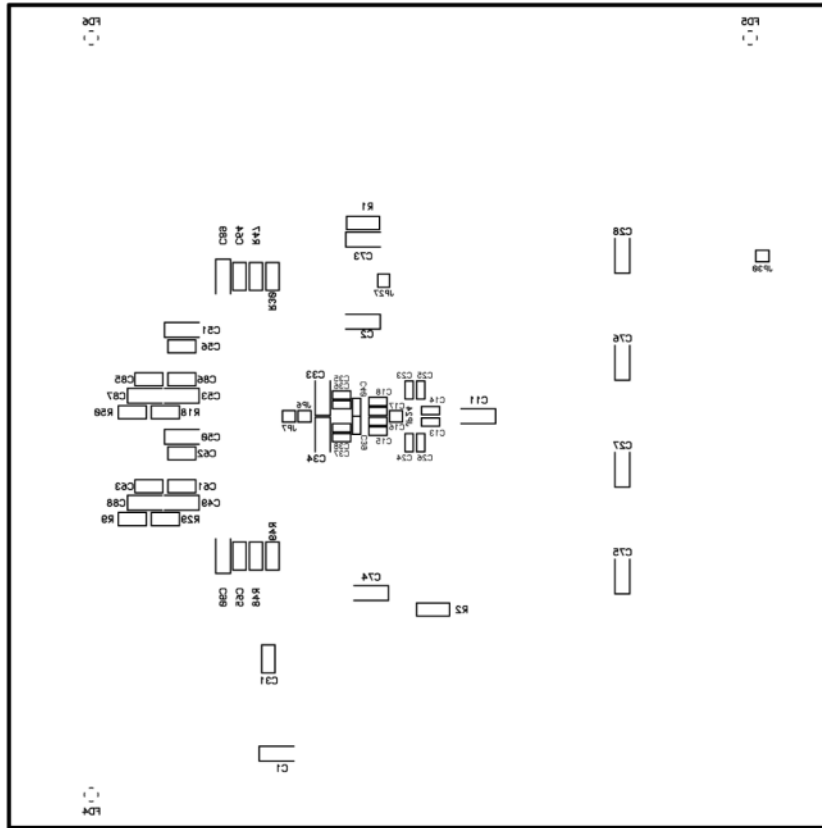


Figure 48. PCB Top Silkscreen (Note that the PCB Supports Both the AD9238 and AD9248 LQFP)



04446-048

Figure 49. PCB Bottom Silkscreen

DUAL ADC LFCSP PCB

The PCB requires a low jitter clock source, analog sources, and power supplies. The PCB interfaces directly with Analog Devices standard dual-channel data capture board (HSC-ADC-EVAL-DC), which together with ADI's ADC Analyzer™ software allows for quick ADC evaluation.

POWER CONNECTOR

Power is supplied to the board via three detachable 4-lead power strips.

Table 11. Power Connector

| Terminal | Comments |
|------------------------|------------------------|
| VCC ¹ 3.0 V | Analog supply for ADC |
| VDD ¹ 3.0 V | Output supply for ADC |
| VDL ¹ 3.0 V | Supply circuitry |
| VREF | Optional external VREF |
| +5 V | Optional op amp supply |
| -5 V | Optional op amp supply |

¹VCC, VDD, and VDL are the minimum required power connections.

ANALOG INPUTS

The evaluation board accepts a 2 V p-p analog input signal centered at ground at two SMB connectors, Input A and Input B. These signals are terminated at their respective transformer primary side. T1 and T2 are wideband RF transformers that provide the single-ended-to-differential conversion, allowing the ADC to be driven differentially, minimizing even-order harmonics. The analog signals can be low-pass filtered at the transformer secondary to reduce high frequency aliasing.

OPTIONAL OPERATIONAL AMPLIFIER

The PCB has been designed to accommodate an optional AD8139 op amp that can serve as a convenient solution for dc-coupled applications. To use the AD8139 op amp, remove C14, R4, R5, C13, R37, and R36. Place R22, R23, R30, and R24.

CLOCK

The clock inputs are buffered on the board at U5 and U6. These gates provide buffered clocks to the on-board latches, U2 and U4, ADC input clocks, and DRA, DRB that are available at the output Connector P3, P8. The clocks can be inverted at the timing jumpers labeled with the respective clocks. The clock paths also provide for various termination options. The ADC input clocks can be set to bypass the buffers at solder bridges P2, P9 and P10, P12. An optional clock buffer U3, U7 can also be placed. The clock inputs can be bridged at TIEA, TIEB (R20, R40) to allow one to clock both channels from one clock source; however, optimal performance is obtained by driving J2 and J3.

Table 12. Jumpers

| Terminal | Comments |
|------------|--------------------------|
| OEB A | Output Enable for A Side |
| PDWN A | Power-Down A |
| MUX | Mux Input |
| SHARED REF | Shared Reference Input |
| DR A | Invert DR A |
| LATA | Invert A Latch Clock |
| ENC A | Invert Encode A |
| OEB B | Output Enable for B Side |
| PDWN B | Power-Down B |
| DFS | Data Format Select |
| SHARED REF | Shared Reference Input |
| DR B | Invert DR B |
| LATB | Invert B Latch Clock |
| ENC B | Invert Encode B |

VOLTAGE REFERENCE

The ADC SENSE pin is brought out to E41, and the internal reference mode is selected by placing a jumper from E41 to ground (E27). External reference mode is selected by placing a jumper from E41 to E25 and E30 to E2. R56 and R45 allow for programmable reference mode selection.

DATA OUTPUTS

The ADC outputs are latched on the PCB at U2, U4. The ADC outputs have the recommended series resistors in line to limit switching transient effects on ADC performance.

LCSP EVALUATION BOARD BILL OF MATERIALS (BOM)

Table 13.

| No. | Quantity | Reference Designator | Device | Package | Value |
|-----|----------|--|-----------------------|---------------|----------------|
| 1 | 2 | C1, C3 | Capacitors | 0201 | 20 pF |
| 2 | 7 | C2, C5, C7, C9, C10, C22, C36 | Capacitors | 0805 | 10 μF |
| 3 | 44 | C4, C6, C8, C11 to C15, C20, C21, C24 to C27, C29 to C35, C39 to C61 | Capacitors | 0402 | 0.1 μF |
| 4 | 6 | C16 to C19, C37, C38 | Capacitors | TAJD | 10 μF |
| 5 | 2 | C23, C28 | Capacitors | 0201 | 0.1 μF |
| 6 | 6 | J1 to J6 | SMBs | | |
| 7 | 3 | P1, P4, P11 | Power Connector Posts | Z5.531.3425.0 | Wieland |
| 8 | 3 | P1, P4, P11 | Detachable Connectors | 25.602.5453.0 | Wieland |
| 9 | 2 | P3 ¹ , P8 | Connectors | | |
| 10 | 4 | R1, R2, R32, R34 | Resistors | 0402 | 36 Ω |
| 11 | 6 | R3, R6, R7, R8, R11, R14, R33, R42, R51, R61 | Resistors | 0402 | 50 Ω |
| 12 | 4 | R4, R5, R36, R37 | Resistors | 0402 | 33 Ω |
| 13 | 9 | R9, R10, R12, R13, R20, R35, R38, R40, R43 | Resistors | 0402 | 0 Ω |
| 14 | 6 | R15, R16, R18, R26, R29, R31 | Resistors | 0402 | 499 Ω |
| 15 | 2 | R17, R25 | Resistors | 0402 | 525 Ω |
| 16 | 27 | R19, R21, R27, R28, R39, R41, R44, R46 to R49, R52, R54, R55, R57 to R60, R62 to R70 | Resistors | 0402 | 1 kΩ |
| 17 | 4 | R22 to R24, R30 | Resistors | 0402 | 40 Ω |
| 18 | 2 | R45, R56 | Resistors | 0402 | 10 kΩ |
| 19 | 1 | R50 | Resistor | 0402 | 22 Ω |
| 20 | 8 | RZ1 to RZ6, RZ9, RZ10 | Resistor Pack | | 220 Ω |
| 21 | 2 | T1, T2 | Transformers | AWT-1WT | Mini-Circuits® |
| 22 | 1 | U1 | AD9248 | LCSP-64 | |
| 23 | 2 | U2, U425 | SN74LVTH162374 | TSSOP-48 | |
| 24 | 2 | U3 ² , U7 | SN74LVC1G04 | SOT-70 | |
| 25 | 2 | U5, U6 | SN74VCX86 | SO-14 | |
| 26 | 2 | U11, U12 | AD8139 | SO-8/EP | |
| 27 | 4 | R6, R8, R33, R42 | Resistors | 0402 | 100 Ω |

¹ P3, P8 implemented as one 80-pin connector SAMTEC TSW-140-08-L-D-RA.

² U3, U7 not placed.

LFCSP PCB SCHEMATICS

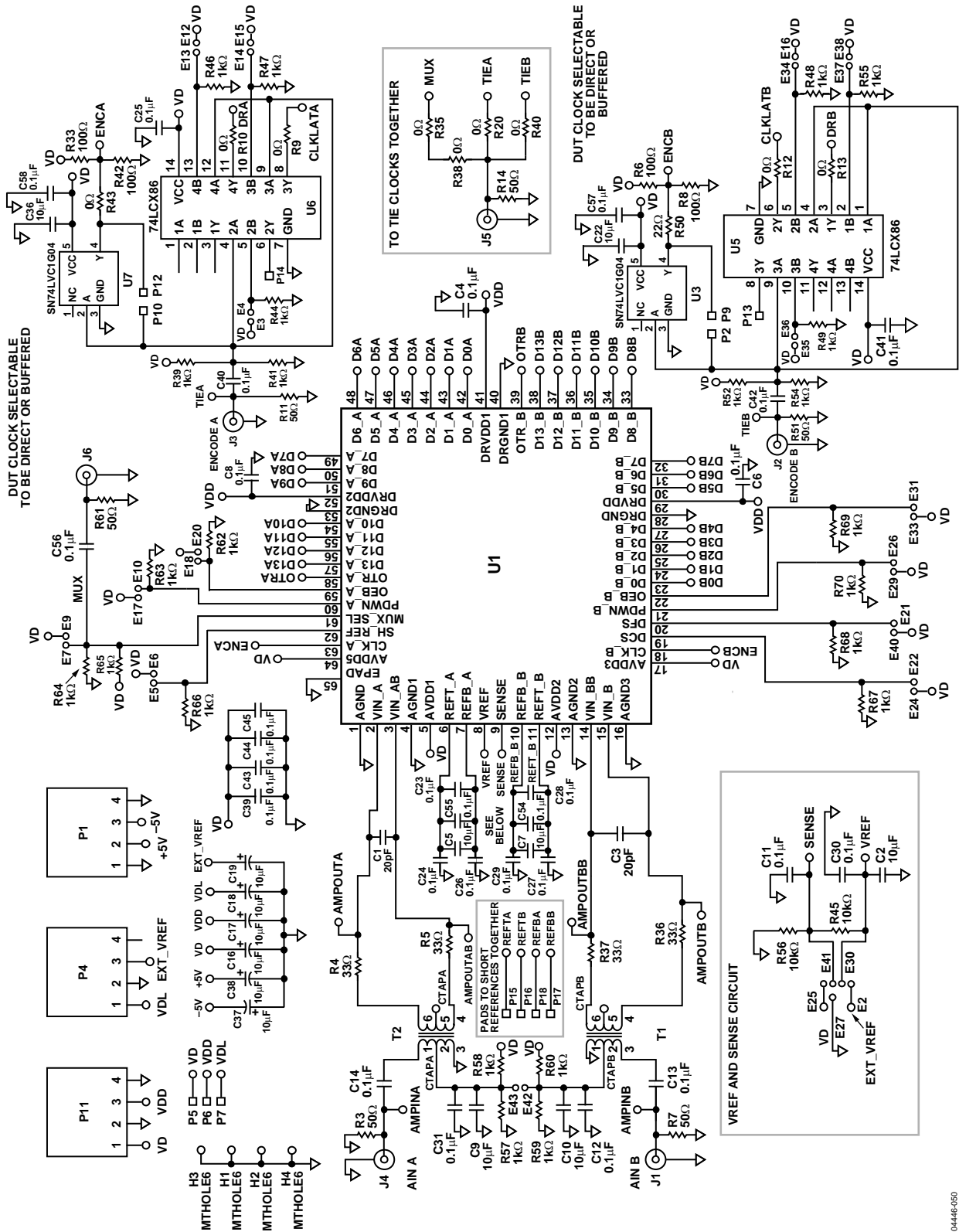


Figure 50. PCB Schematic (1 of 3)

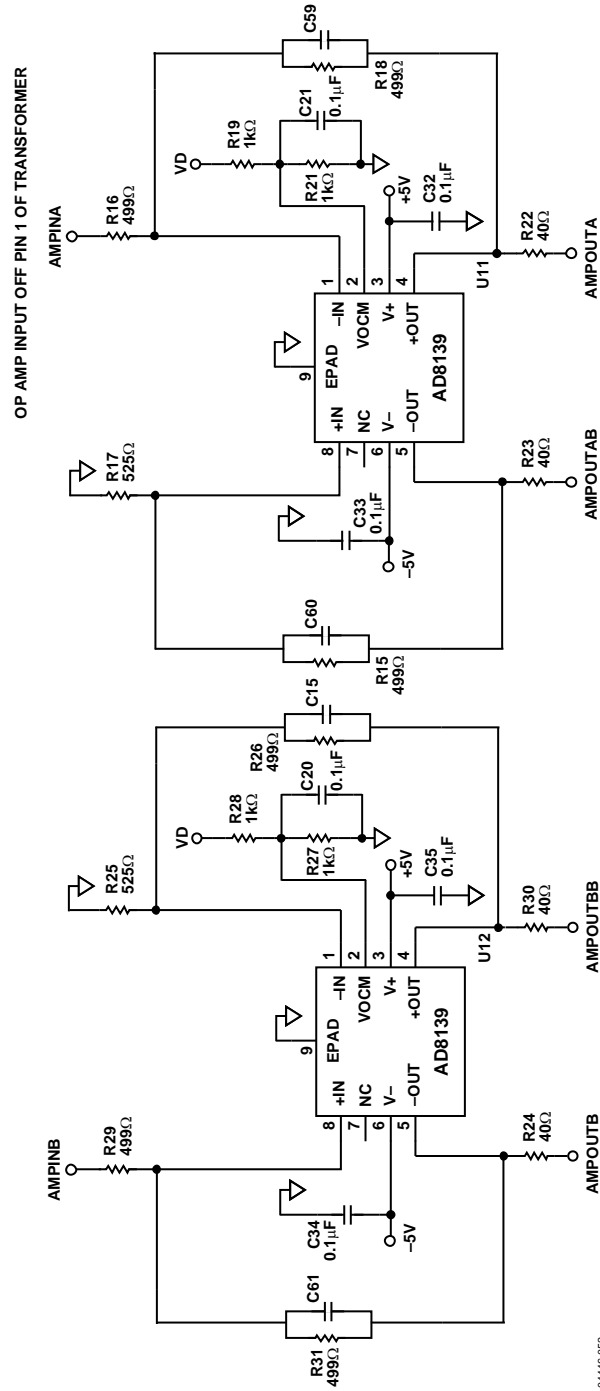


Figure 52. PCB Schematic (3 of 3)

04446-052

AD9248

LFCSP PCB LAYERS

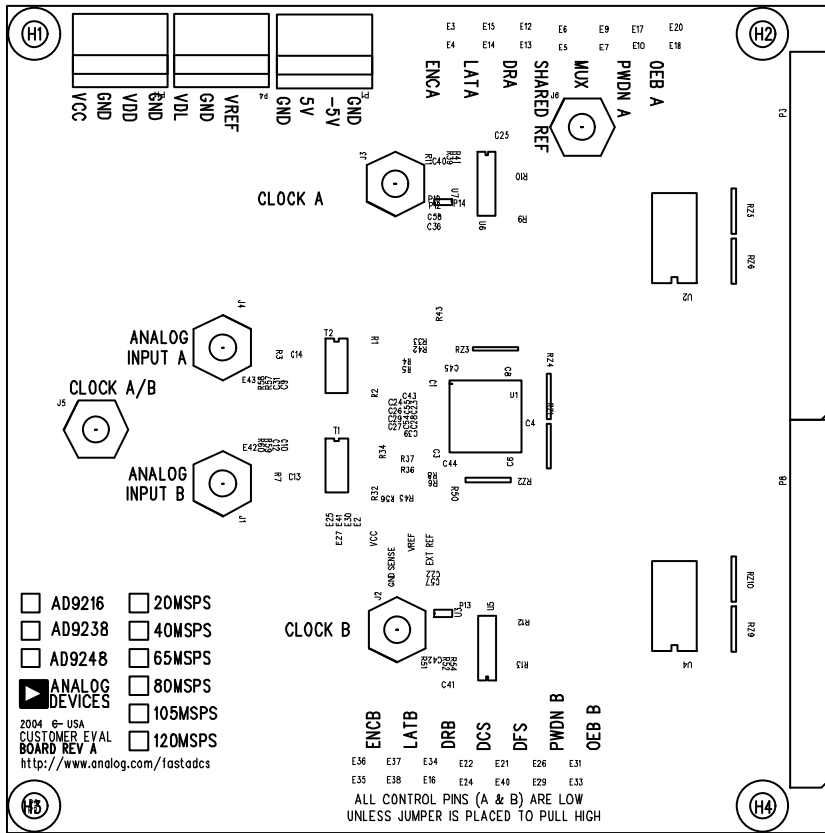
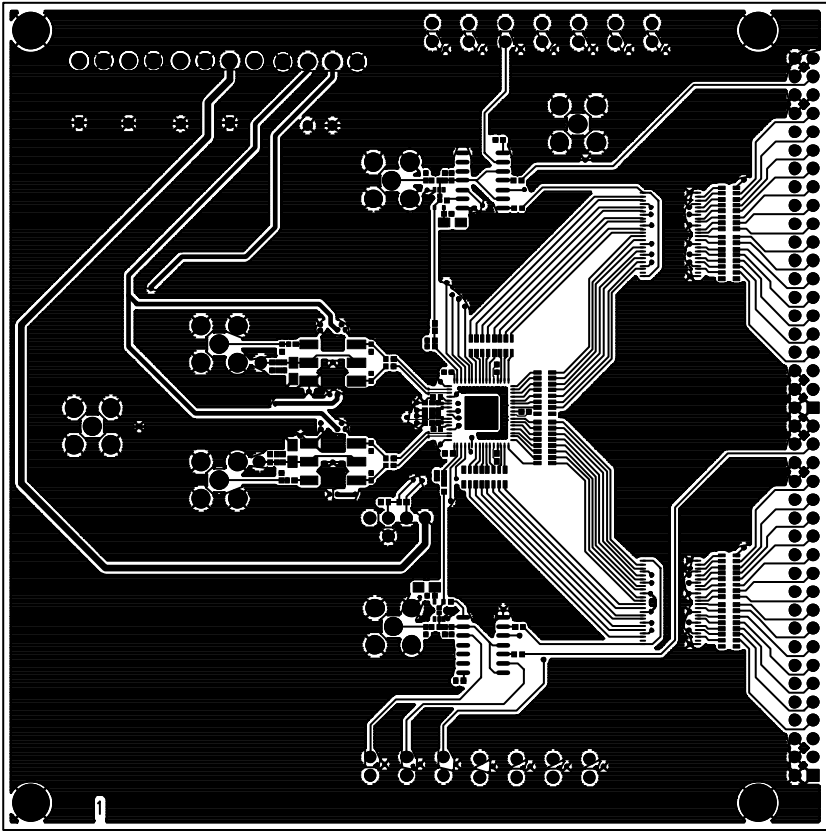


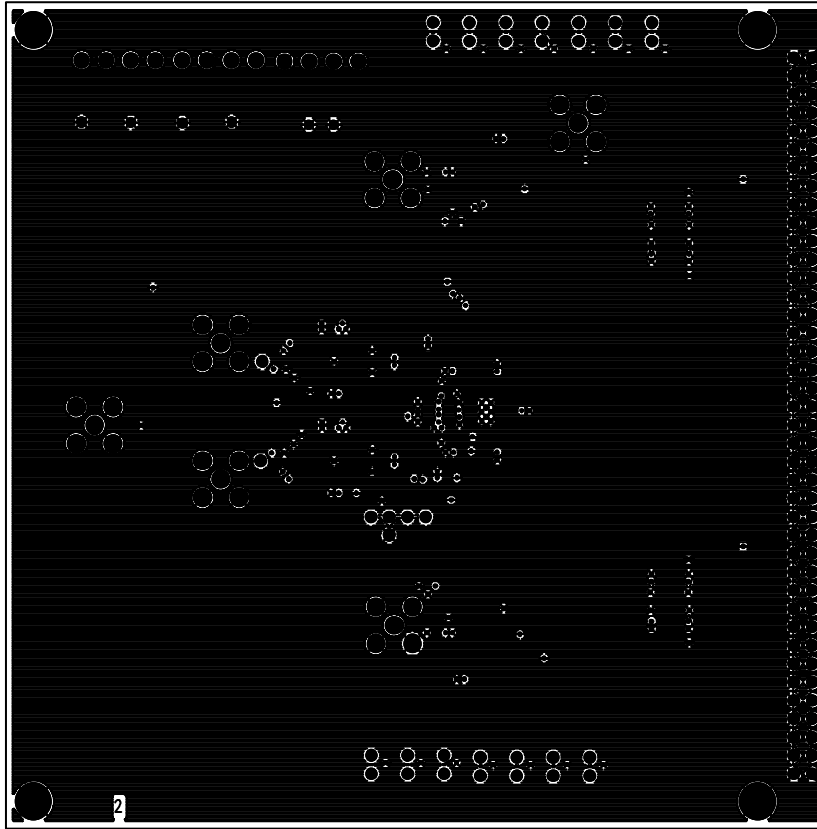
Figure 53. PCB Top-Side Silkscreen

0444E-053



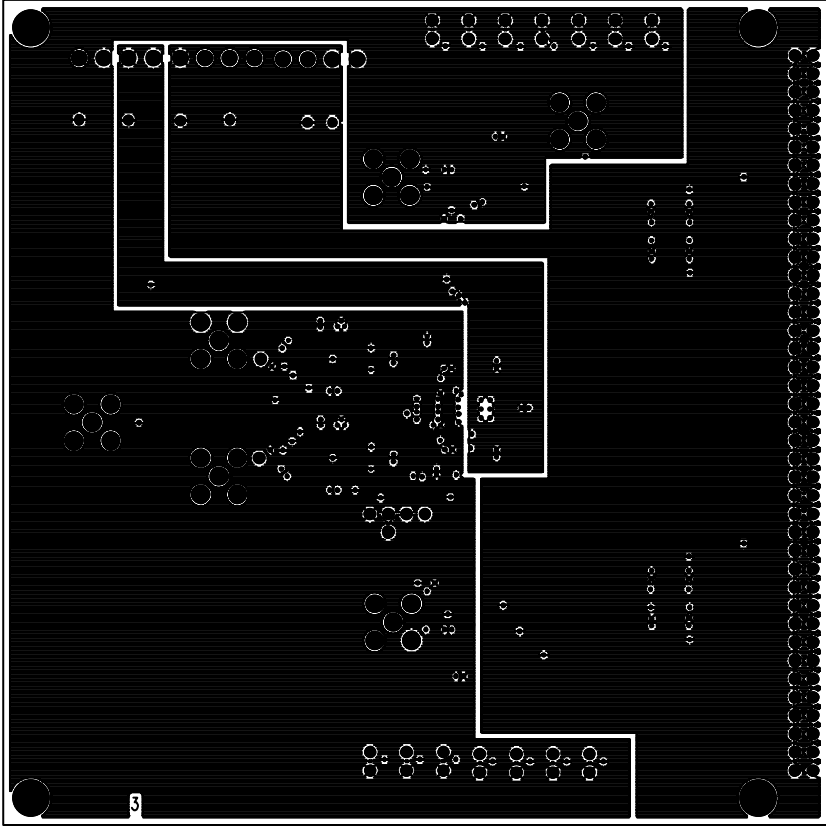
0446E-054

Figure 54. PCB Top-Side Copper Routing



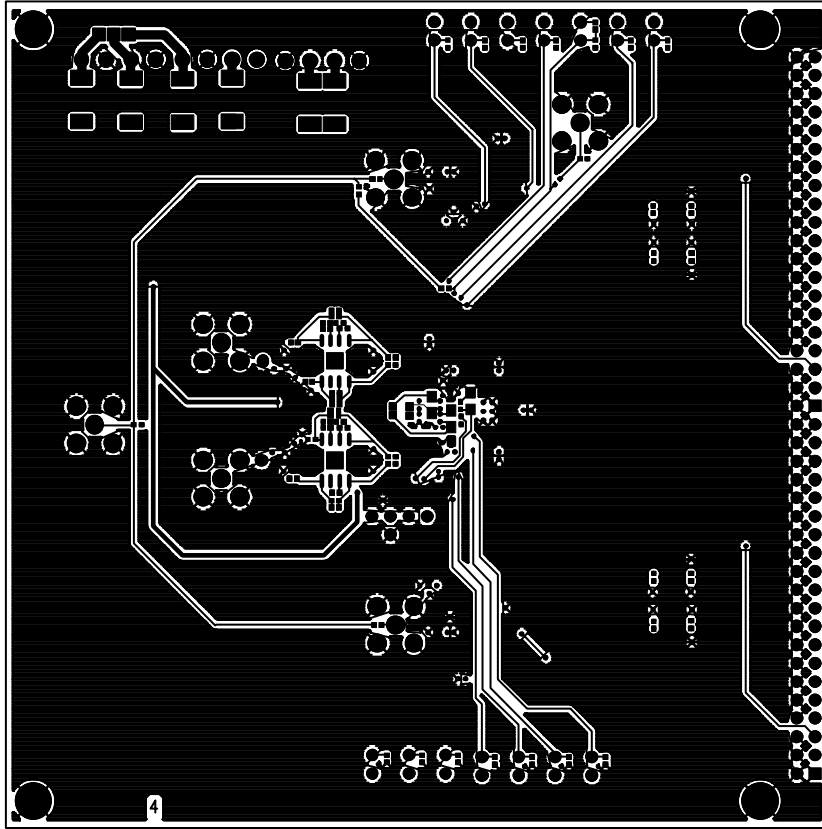
0446-055

Figure 55. PCB Ground Layer



04446-056

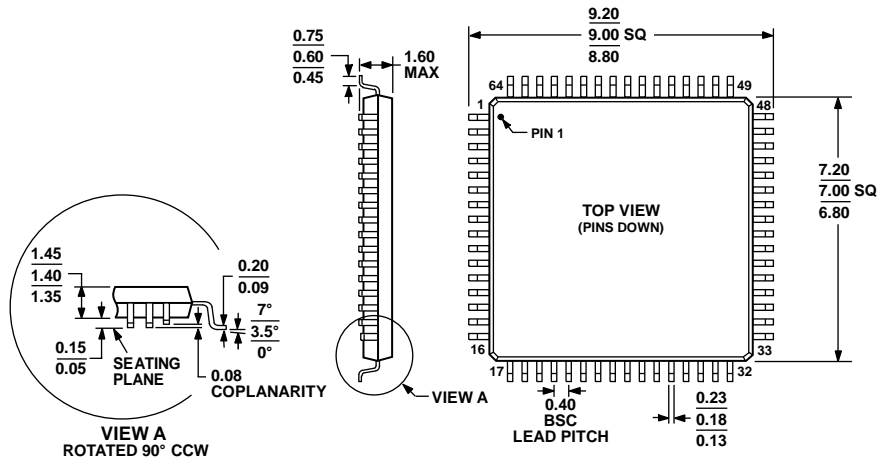
Figure 56. PCB Split Power Plane



0446-057

Figure 57. PCB Bottom-Side Copper Routing

OUTLINE DIMENSIONS

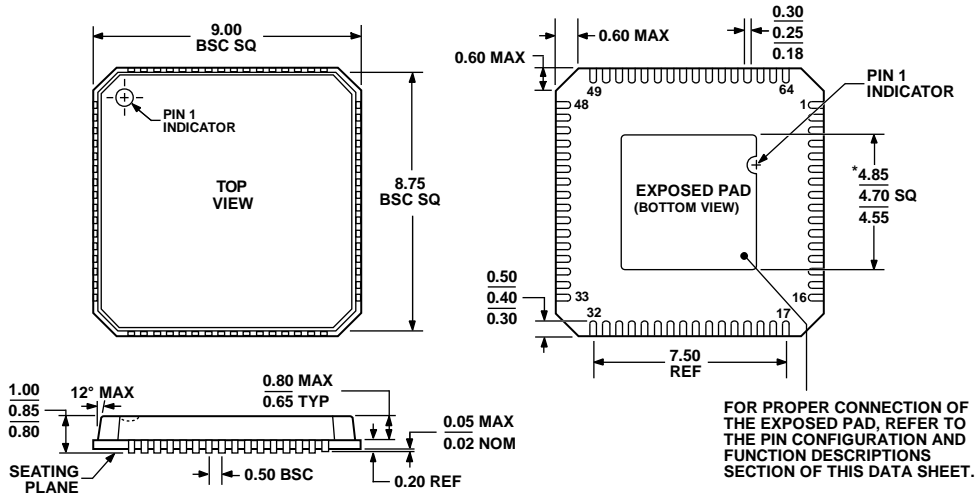


COMPLIANT TO JEDEC STANDARDS MS-026-BBD

Figure 60. 64-Lead Low Profile Quad Flat Package [LQFP] (ST-64-1)

Dimensions shown in millimeters

051706-A



*COMPLIANT TO JEDEC STANDARDS MO-220-VMM4 EXCEPT FOR EXPOSED PAD DIMENSION

Figure 61. 64-Lead Lead Frame Chip Scale Package [LFCSP_VQ] 9 mm x 9 mm Body, Very Thin Quad (CP-64-1)

Dimensions shown in millimeters

082908-B

ORDERING GUIDE

| Model¹ | Temperature Range | Package Description | Package Option |
|--------------------------|--------------------------|--|-----------------------|
| AD9248BSTZ-20 | -40°C to +85°C | 64-Lead Low Profile Quad Flat Package (LQFP) | ST-64-1 |
| AD9248BSTZ-40 | -40°C to +85°C | 64-Lead Low Profile Quad Flat Package (LQFP) | ST-64-1 |
| AD9248BSTZ-65 | -40°C to +85°C | 64-Lead Low Profile Quad Flat Package (LQFP) | ST-64-1 |
| AD9248BSTZRL-20 | -40°C to +85°C | 64-Lead Low Profile Quad Flat Package (LQFP) | ST-64-1 |
| AD9248BSTZRL-40 | -40°C to +85°C | 64-Lead Low Profile Quad Flat Package (LQFP) | ST-64-1 |
| AD9248BSTZRL-65 | -40°C to +85°C | 64-Lead Low Profile Quad Flat Package (LQFP) | ST-64-1 |
| AD9248BCPZ-20 | -40°C to +85°C | 64-Lead Lead Frame Chip Scale Package (LFCSP_VQ) | CP-64-1 |
| AD9248BCPZ-40 | -40°C to +85°C | 64-Lead Lead Frame Chip Scale Package (LFCSP_VQ) | CP-64-1 |
| AD9248BCPZ-65 | -40°C to +85°C | 64-Lead Lead Frame Chip Scale Package (LFCSP_VQ) | CP-64-1 |
| AD9248BCPZRL-20 | -40°C to +85°C | 64-Lead Lead Frame Chip Scale Package (LFCSP_VQ) | CP-64-1 |
| AD9248BCPZRL-40 | -40°C to +85°C | 64-Lead Lead Frame Chip Scale Package (LFCSP_VQ) | CP-64-1 |
| AD9248BCPZRL-65 | -40°C to +85°C | 64-Lead Lead Frame Chip Scale Package (LFCSP_VQ) | CP-64-1 |
| AD9248BST-65EBZ | | Evaluation Board with AD9248BSTZ-65 | |
| AD9248BCP-65EBZ | | Evaluation Board with AD9248BCPZ-65 | |

¹ Z = RoHS Compliant Part.

AD9248

NOTES