

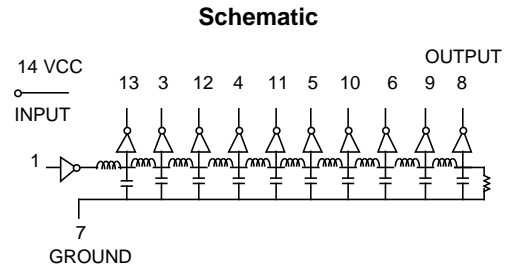
SMD 14 Pin 10 Tap TTL Compatible Active Delay Lines EPA247-XX & EPA247-XX-RC

Add "-RC" after part number for RoHS Compliant

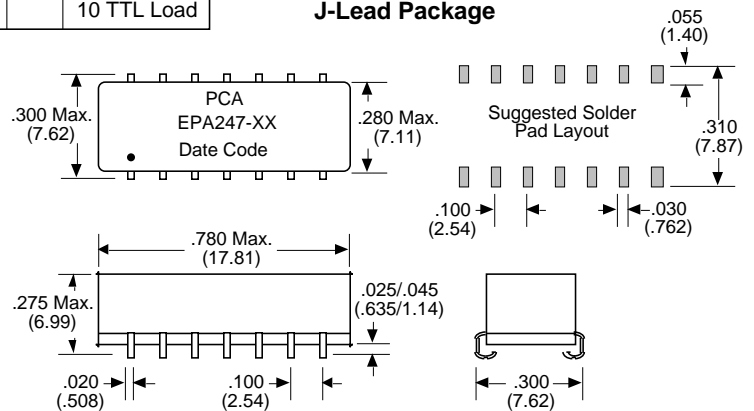
PCA Part Number	Tap Delays ($\pm 5\%$ or $\pm 2nS$)	Total Delay ($\pm 5\%$ or $\pm 2nS$)	PCA Part Number	Tap Delays ($\pm 5\%$ or $\pm 2nS$)	Total Delay ($\pm 5\%$ or $\pm 2nS$)
EPA247-50(-RC)	5	50	EPA247-440(-RC)	44	440
EPA247-60(-RC)	6	60	EPA247-450(-RC)	45	450
EPA247-75(-RC)	7.5	75	EPA247-470(-RC)	47	470
EPA247-100(-RC)	10	100	EPA247-500(-RC)	50	500
EPA247-125(-RC)	12.5	125	EPA247-550(-RC)	55	550
EPA247-150(-RC)	15	150	EPA247-600(-RC)	60	600
EPA247-175(-RC)	17.5	175	EPA247-650(-RC)	65	650
EPA247-200(-RC)	20	200	EPA247-700(-RC)	70	700
EPA247-225(-RC)	22.5	225	EPA247-750(-RC)	75	750
EPA247-250(-RC)	25	250	EPA247-800(-RC)	80	800
EPA247-300(-RC)	30	300	EPA247-850(-RC)	85	850
EPA247-350(-RC)	35	350	EPA247-900(-RC)	90	900
EPA247-400(-RC)	40	400	EPA247-950(-RC)	95	950
EPA247-420(-RC)	42	420	EPA247-1000(-RC)	100	1000

†Whichever is greater. Delay times referenced from input to leading edges at 25°C, 5.0V, with no load.

DC Electrical Characteristics		Test Conditions	Min.	Max.	Unit
Parameter					
V _{OH}	High-Level Output Voltage	V _{CC} = min. V _{IL} = max. I _{OH} = max	2.7		V
V _{OL}	Low-Level Output Voltage	V _{CC} = min. V _{IH} = min. I _{OL} = max		0.5	V
V _{IK}	Input Clamp Voltage	V _{CC} = min. I _I = I _{IK}		-1.2	V
I _{IH}	High-Level Input Current	V _{CC} = max. V _{IN} = 2.7V		50	µA
		V _{CC} = max. V _{IN} = 5.25V		1.0	mA
I _{IL}	Low-Level Input Current	V _{CC} = max. V _{IN} = 0.5V		-2	mA
I _{OS}	Short Circuit Output Current	V _{CC} = max. V _{OUT} = 0. (One output at a time)	-40	-100	mA
I _{CCH}	High-Level Supply Current	V _{CC} = max. V _{IN} = OPEN		150	mA
I _{CCL}	Low-Level Supply Current	V _{CC} = max. V _{IN} = 0		150	mA
T _{RO}	Output Rise Time	T _d 500 nS (0.75 to 2.4 Volts) T _d > 500 nS		4 5	nS
N _H	Fanout High-Level Output	V _{CC} = max. V _{OH} = 2.7V		20 TTL Load	
N _L	Fanout Low-Level Output	V _{CC} = max. V _{OL} = 0.5V		10 TTL Load	



J-Lead Package



Recommended Operating Conditions		Min.	Max.	Unit
V _{CC}	Supply Voltage	4.75	5.25	V
V _{IH}	High-Level Input Voltage	2.0		V
V _{IL}	Low-Level Input Voltage		0.8	V
I _{IK}	Input Clamp Current		-18	mA
I _{OH}	High-Level Output Current		-1.0	mA
I _{OL}	Low-Level Output Current		20	mA
PW*	Pulse Width of Total Delay	40		%
d*	Duty Cycle		40	%
T _A	Operating Free-Air Temperature	0	+70	°C

*These two values are inter-dependent.

Input Pulse Test Conditions @ 25° C		Unit	
E _{IN}	Pulse Input Voltage	3.2	Volts
PW	Pulse Width % of Total Delay	110	%
T _{RI}	Pulse Rise Time (0.75 - 2.4 Volts)	2.0	nS
PRR	Pulse Repetition Rate @ T _d 200 nS	1.0	MHz
	Pulse Repetition Rate @ T _d > 200 nS	100	KHz
V _{CC}	Supply Voltage	5.0	Volts

Notes :	EPA247-XX	EPA247-XX-RC
1. Assembly Process (Solder Composition)	(Leadframe)	SnPb
	(Assembly Solder)	SnPb (RoHS exemption 7a)
2. Peak Solder Rating (per IPC/JEDEC-J-STD-020C)	225°C	260°C
3. Moisture Sensitive Levels (MSL) (per IPC/JEDEC-J-STD-020C)	3 (168 hours, 30°C/60%RH)	4 (72 hours, 30°C/60%RH)
4. Weight	TBD grams	TBD grams
5. Packaging Information (*Add "TR" to end of part number when placing order)	(Tube)	27 pieces/tube
	(Tape & Reel)	TBD pieces/13" reel (*EPA245-XX-TR)
		TBD pieces/13" reel (*EPA245-XX-RCTR)

Unless Otherwise Specified Dimensions are in Inches /mm ± .010 /.25