

FEATURES

- **High Sensitivity**
QE: 12 % (-61), 36 % (-63), 40 % (-64)
- **High Speed**
Rise Time: 200 ps (-61), 180 ps (-63/-64)
IRF[®] (Instrument Response Function): 150 ps at FWHM: (-61)
80 ps at FWHM: (-63/-64)
- **Compact Profile**
Effective Photocathode: 10 mm diameter
(Overall length: 70.2 mm, Outer diameter: 45.0 mm)

APPLICATIONS

- **Molecular Science**
Analysis of Molecular Structure
- **Medical Science**
Optical Computer Tomography
- **Biochemistry**
Fast Gene Sequencing
- **Material Engineering**
Semiconductor Analysis
Crystal Research
- **Lidar**

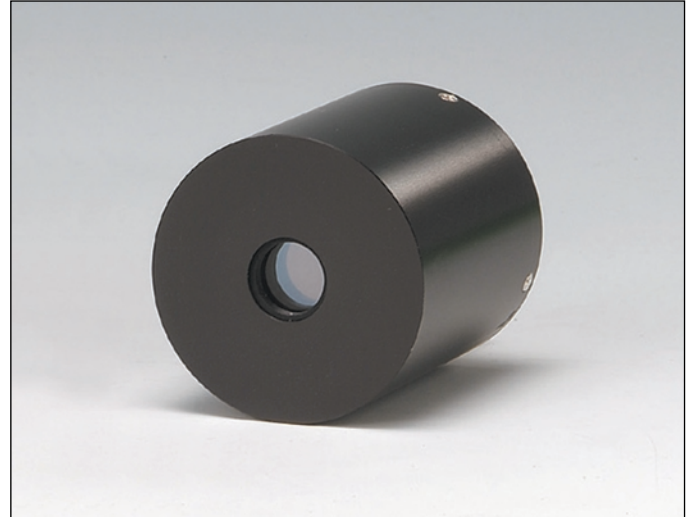


Figure 1: Spectral Response

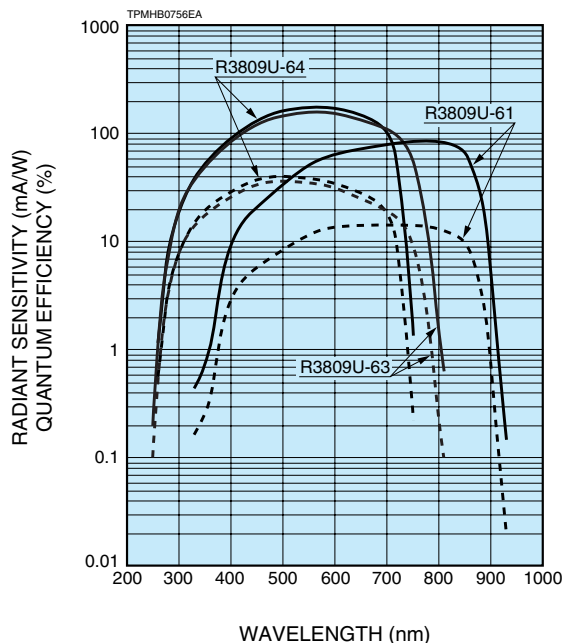
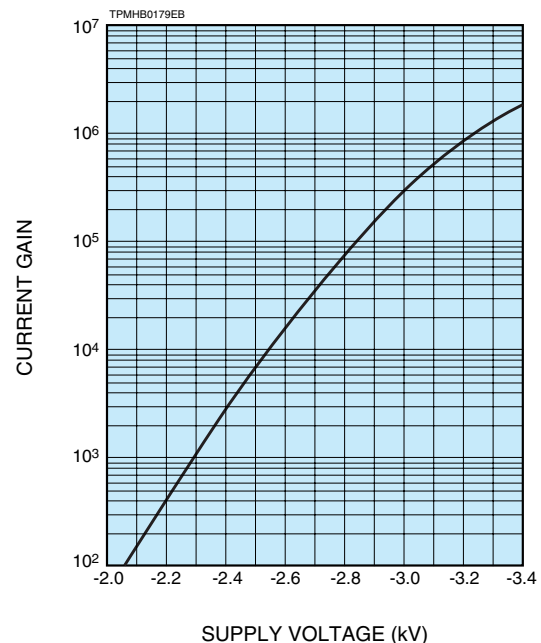


Figure 2: Typical Gain



MCP-PMT R3809U-61/-63/-64

SPECIFICATIONS

●R3809U-61/-63/-64

GENERAL

Parameter	R3809U-61	R3809U-63	R3809U-64	Unit
Spectral Response	370 to 920	280 to 820	280 to 720	nm
Peak Wavelength	750 to 850	550 to 650	550 to 650	nm
Photocathode Material	GaAs	Extended Red GaAsP	GaAsP	—
Window Material	Borosilicate Glass			—
Effective Photocathode Diameter	φ10			mm
Stage of MCP [®]	2-stage Filmed MCP			—
Weight	100			g
Operating Ambient Temperature	-50 to +50			°C
Storage Temperature	-50 to +50			°C

MAXIMUM RATING

Parameter	R3809U-61	R3809U-63	R3809U-64	Unit
Supply Voltage	-3400 [®]			V
Average Anode Current	100			nA
Pulsed Peak Current [©]	350			mA
Voltage Divider Current	110			μA

CHARACTERISTICS (at +25 °C)

Parameter		R3809U-61			R3809U-63			R3809U-64			Unit
		Min.	Typ.	Max.	Min.	Typ.	Max.	Min.	Typ.	Max.	
Cathode Sensitivity	Luminous [®]	400	700	—	450	750	—	400	700	—	μA/lm
	Radiant [®]	—	85	—	—	160	—	—	180	—	mA/W
	Quantum Efficiency [®]	—	12	—	27	36	—	30	40	—	%
Gain (at -3000 V)		1 × 10 ⁵	3 × 10 ⁵	—	1 × 10 ⁵	3 × 10 ⁵	—	1 × 10 ⁵	3 × 10 ⁵	—	—
Anode Dark Count [®] (at -3000 V)		—	20 ^①	—	—	2 × 10 ⁴	—	—	1 × 10 ⁴	—	s ⁻¹
Time Response	Rise Time [®]	—	200	—	—	180	—	—	180	—	ps
	Fall Time [®]	—	500	—	—	400	—	—	400	—	ps
	IRF (FWHM) [®]	—	150	—	—	80	—	—	80	—	ps

NOTE: (A) IRF stands for Instrument Response Function which is a convolution of the δ pulse function (H(t)) of the measuring system and the excitation function (E(t)) of a laser. The IRF is given by the following formula:

$$IRF = H(t) \times E(t)$$

We specify the IRF as an FWHM of the time distribution taken by using the measuring system in Figure 5 that is Hamamatsu standard IRF measurement. It can be temporary estimated by the following equation:

$$(IRF (FWHM))^2 = (TTS)^2 + (Tw)^2 + (Tj)^2$$

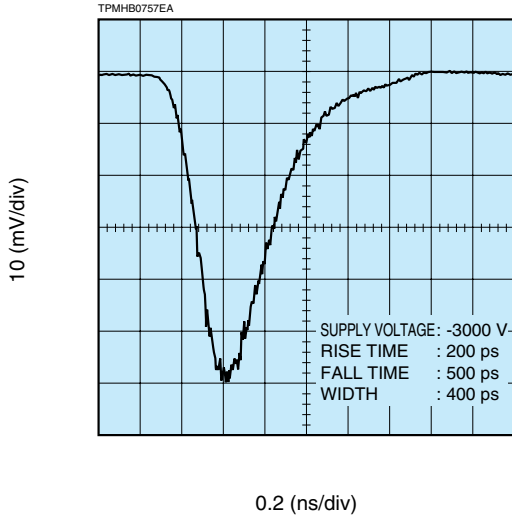
where Tw is the pulse width of the laser used and Tj is the time jitter of all equipments used. An IRF data is provided with the tube purchased as a standard.

Transit-time spread (TTS) is the fluctuation in transit time between individual pulse and specified as an FWHM (full width at half maximum) with the incident light having a single photoelectron state.

- (B) Two microchannel plates (MCP) are incorporated as a standard but we can provide it with either one or three MCPs as an option depending upon your request. The PMT supply voltage varies depending on the number of MCPs.
- (C) This is specified under the operating conditions that the repetition rate of light input is 100 Hz or below and its pulse width is 70 ps.
- (D) The light source used to measure the luminous sensitivity is a tungsten filament lamp operated at a distribution temperature of 2856 K. The incident light intensity is 10⁻⁴ lm and 100 V is applied between the photocathode and all other electrodes connected as an anode.
- (E) Measured at the peak sensitivity wavelength.
- (F) At 30 min after high voltage is applied with shutter closed
- (G) This is the mean time difference between the 10 % and 90 % amplitude points on the output waveform for full cathode illumination.
- (H) This is the mean time difference between the 90 % and 10 % amplitude points on the tailing edge of the output waveform for full cathode illumination.
- (I) At -30 °C

Figure 3: Typical Output Waveform

●R3809U-61



●R3809U-63/-64

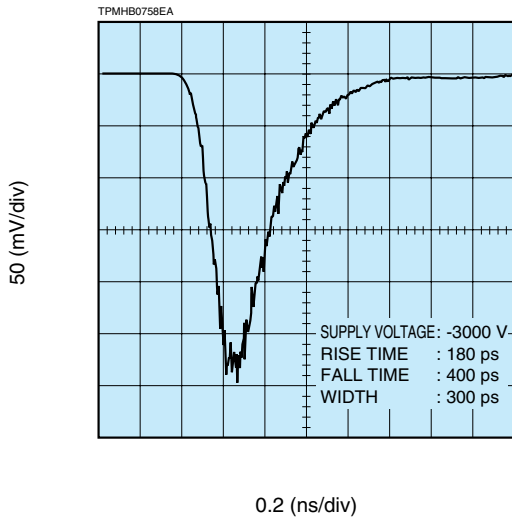


Figure 4: Block Diagram of Output Waveform Measuring System

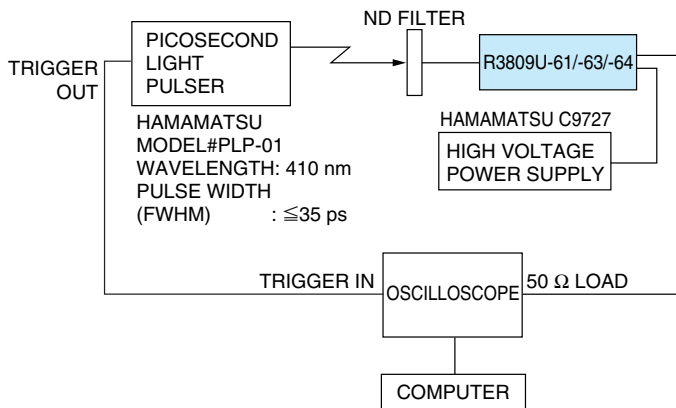
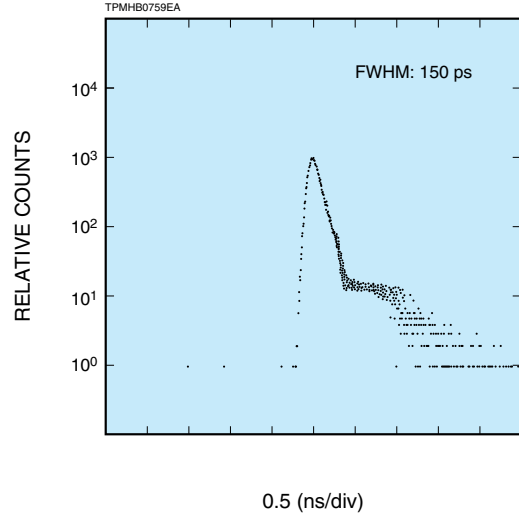


Figure 5: Typical Instrument Response Function (IRF) [Ⓐ]

●R3809U-61



●R3809U-63/-64

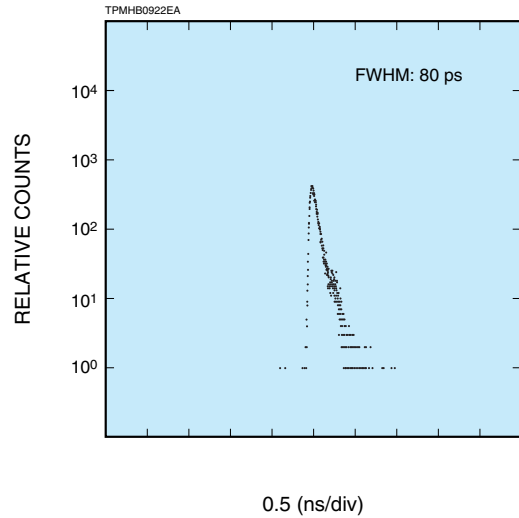
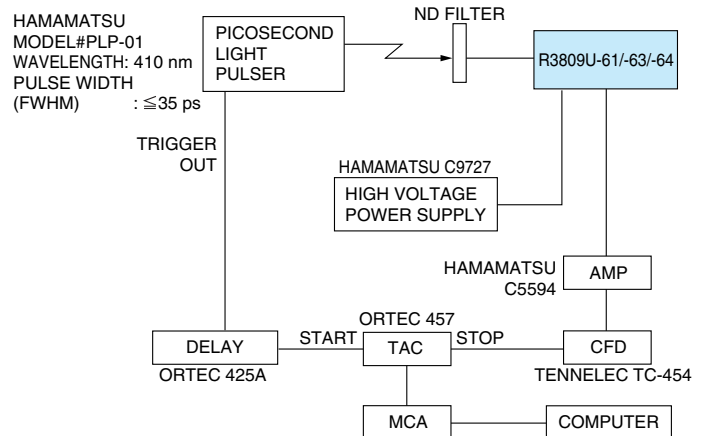


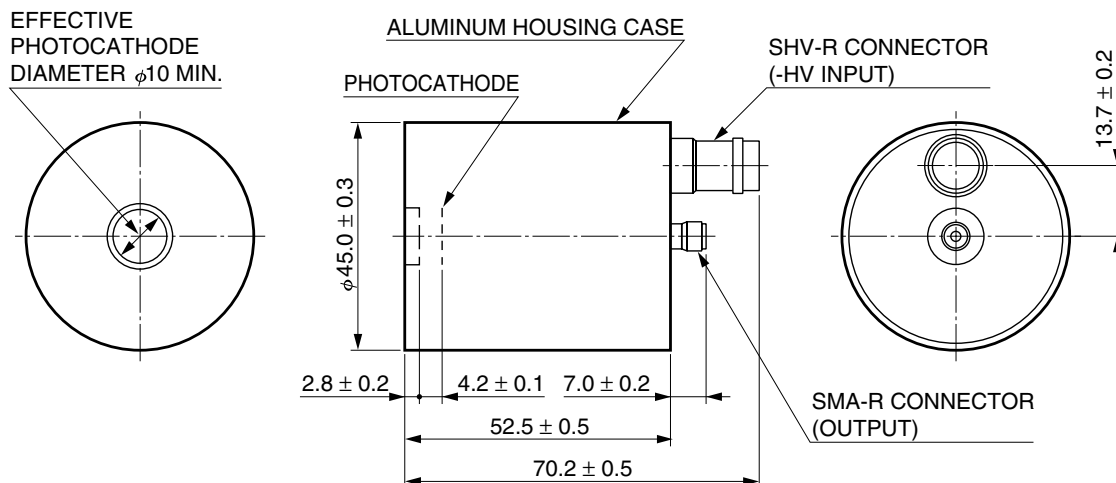
Figure 6: Block Diagram of IRF Measuring System



MCP-PMT R3809U-61/-63/-64

Figure 7: Dimensional Outlines (Unit: mm)

●R3809U-61/-63/-64



TPMHA0522EA

ACCESSORIES

THERMOELECTRIC COOLING UNIT C10373 Series



Specifications

Cooling Thermoelectric cooling using peltier module

Heat Exchange Medium Water

Cooling Temperature (with cooling water at +20 °C) Approx. -30 °C

AC Input Voltage 100 V to 240 V

HIGH SPEED AMPLIFIER C5594 Series



Specifications

Frequency

Response Range 50 kHz to 1.5 GHz

Voltage Gain 36 dB (Typ.)

Input/Output Impedance 50 Ω

Noise Figure (NF) 5 dB (Typ.)

Supply Voltage +12 V to +16 V

Supply Current 95 mA (Max.)

BENCH-TOP HIGH VOLTAGE POWER SUPPLY C9727/-01



Specifications

Output Voltage 0 V to -3500 V

Maximum Output Current 2 mA

Line Regulation Against ± 10 % Line Voltage Change ^{(A)(B)} (Max.) ± 0.005 %

Load Regulation Against 0 % to 100 % Load Change ^(A) (Max.) ± 0.03 %

Ripple / Noise (p-p) ^{(A)(B)} (Typ.) 0.003 %

Drift (after 30 min Warm-up) ^{(A)(B)} (Typ.) ± 0.05 % / h

Temperature Coefficient ^{(A)(B)} (Max.) .. ± 0.01 % / °C

AC Input Voltage 100 V to 240 V

Power Consumption ^{(A)(B)} (Max.) .. Approx. 60 V-A

NOTE: ^(A)At maximum output voltage
^(B)At maximum output current

HAMAMATSU PHOTONICS K.K. www.hamamatsu.com

HAMAMATSU PHOTONICS K.K., Electron Tube Division

314-5, Shimokanzo, Iwata City, Shizuoka Pref., 438-0193, Japan, Telephone: (81)539/62-5248, Fax: (81)539/62-2205

U.S.A.: Hamamatsu Corporation, 360 Foothill Road, Bridgewater, N.J. 08807-0910, U.S.A., Telephone: (1)908-231-0960, Fax: (1)908-231-1218 E-mail: usa@hamamatsu.com

Germany: Hamamatsu Photonics Deutschland GmbH, Arzbergerstr. 10, D-82211 Herrsching am Ammersee, Germany, Telephone: (49)8152-375-0, Fax: (49)8152-2658 E-mail: info@hamamatsu.de

France: Hamamatsu Photonics France S.A.R.L.: 19, Rue du Saule Trapu, Parc du Moulin de Massy, 91882 Massy Cedex, France, Telephone: (33)1 69 53 71 00, Fax: (33)1 69 53 71 10 E-mail: infos@hamamatsu.fr

United Kingdom: Hamamatsu Photonics UK Limited: 2 Howard Court, 10 Twin Road, Welwyn Garden City, Hertfordshire AL7 1BW, United Kingdom, Telephone: (44)1707-294888, Fax: (44)1707-325777 E-mail: info@hamamatsu.co.uk

North Europe: Hamamatsu Photonics Norden AB: Torshamnsgatan 35 SE-164 40 Kista, Sweden, Telephone: (46)8-509-031-00, Fax: (46)8-509-031-01 E-mail: info@hamamatsu.se

Italy: Hamamatsu Photonics Italia S.r.l.: Strada della Moia, 1 int. 6, 20020 Arese (Milano), Italy, Telephone: (39)02-93581733, Fax: (39)02-93581741 E-mail: info@hamamatsu.it

China: Hamamatsu Photonics (China) Co., Ltd.: B1201 Jianning Center, No.27 Dongsanhuan Bellu, Chaoyang District, Beijing 100020, China, Telephone: (86)10-6586-6006, Fax: (86)10-6586-2866 E-mail: hpc@hamamatsu.com.cn

TPMH1295E07
MAY 2015 IP