

# IWPTU Series

## Industrial Wireless Pressure Transducer



- **Pressure ranges from -15 to +5800 psi gauge**
- **Up to 2500ft line-of-site range (depending on receiver)**
- **Piezo-resistive thick film ceramic sensor with stainless steel body**
- **Five year battery life at 10 second transmission update rate**
- **Simple DIL switch pairing with the single or five channel receiver**
- **Single or five channel receivers available**
- **User-selectable transmission update rates**
- **User-selectable 1-5V or 4-20mA receiver outputs**
- **Receiver clean contacts provide process alarm functions**

### DESCRIPTION

The IWPTU Wireless Pressure Transducer is a cost effective replacement to a traditionally wired pressure transducer that offers the advantages of a low-cost installation in inaccessible and expensive installation environments.

It is easily paired to the compatible IWR family of single- or five-channel wireless receivers thus offering a “plug and play” solution to your pressure measurement applications.

The instrument uses a piezo-resistive ceramic sensor mounted within a stainless steel housing giving excellent media compatibility for the harshest of applications.

A line-of-sight range of up to 2500ft is possible depending on the wireless receiver used (refer to datasheets IWR-1 & IWR-5 for further information).

Each device is temperature compensated, calibrated and supplied with a traceable serial number and calibration certificate.

### TYPICAL APPLICATIONS INCLUDE:-

- **Simple cable replacement installation** – dispense with expensive cable runs
- **Environmental monitoring** – pumping stations, sewage plants, water treatment
- **Facilities management** – boiler rooms, plant hydraulics, plant pneumatics
- **Asset monitoring** – tanks farms, process plants, HVAC and building management
- **Service Contract** – temporary installation for servicing and field trials

### Transmitter Pressure Ranges

Nominal Pressure, Gauge,	psi	15	30	75	150	300	750	1500	3750	6000
Compound range	psi	-15 to 0	-15 to 30	-15 to 75	-15 to 1235	-15 to 285	-15 to 360			
Permissible Overpressure	psi	30	60	150	300	600	1500	3000	6000	9750
Burst Pressure	psi	60	75	180	375	750	1800	3750	7500	9750

### Transmitter Output

*Transmission Frequency	2.4 Ghz
Transmit Power	18 dBm
System Channel	User selectable via DIL switch
Antenna	Integral OdBi

\*Compliant with EN 300 328, V1.8.1

Cynergy3 Components Ltd.  
 Ferndown Industrial Estate  
 7 Cobham Road  
 Wimborne, Dorset BH21 7PE  
 Telephone +44 (0) 1202 897969  
 Email:sales@cynergy3.com

### System Performance

Accuracy (Non-Linearity & Hysteresis)	<±0.25% / FS (BFSL)
Setting Errors (offsets)	Zero & Full Scale, <±0.5% / FS

### Instrument Power Source

Battery Type	User replaceable Lithium C cell
Battery Life	Five years at 10 second update rate
Battery Shelf Life	10 years

ISO9001 CERTIFIED

IWPTU 2016

[www.cynergy3.com](http://www.cynergy3.com)



# IWPTU Series

## Industrial Wireless Pressure Transducer

### Material Specifications

Pressure Housing	303 Stainless Steel
"O" ring seals	Viton
Diaphragm	Ceramic Al <sub>2</sub> O <sub>3</sub> 96%
Wireless Enclosure Material	Plastic
Weight	310g including battery
**Installation position	Any

\*\* Consult installation manual to ensure adequate signal path between transmitter and receiver

### Temperatures & Thermal Effects

Media Temperature	-20°C to +135°C
Ambient Temperature	-20°C to +80°C
Storage Temperature	-20°C to +80°C
Thermal Zero Shift	<±0.04% /FS/°C
Thermal Span Shift	<±0.02% /°C typical

### Receiver Output Signals

Outputs	1-5V or 4-20mA per channel
Single Channel Receiver	IWR-1 (see data sheet)
Five Channel receiver	IWR-5 (see data sheet)
Alarm Output	5 Amp rated changeover contacts
***Transmission Update Rate	1, 5, 10 and 30 seconds

\*\*\* Consult installation manual for set-up:  
 - single channel system is DIL switch configurable  
 - five channel system requires set-up using "IWR Set" user software

### Mechanical Stability

See user manual

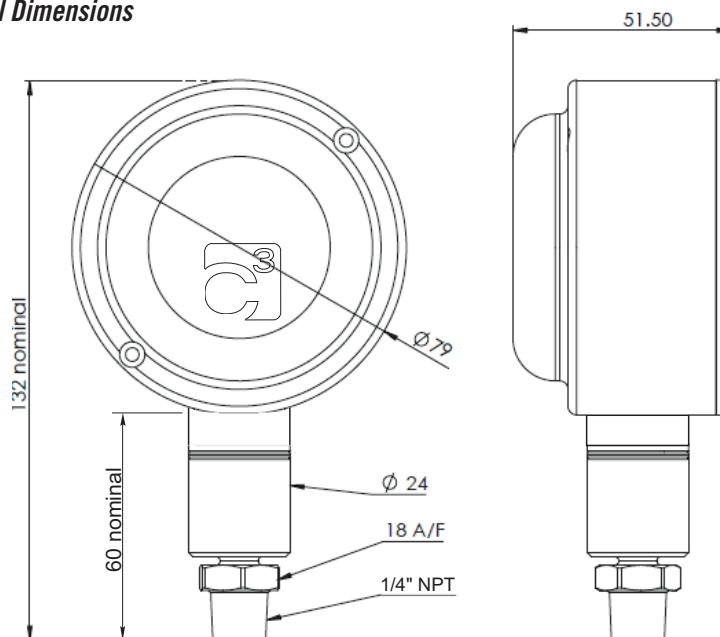
### Ordering Codes:-

Pressure Transducer	See table below
Spare battery	IBAT-1
Single Channel Receiver	IWR-1
Five Channel Receiver	IWR-5
Five Channel Configuration Software	IWR-Set

\*Download user configuration software here: - [www.cynergy3.com/????????](http://www.cynergy3.com/????????)

Part Number	Pressure Rating	Receiver Output
IWPTU-GP015-00	0-15 psi G	1-5Vdc or 4-20mA
IWPTU-GP030-00	0-30 psi G	1-5Vdc or 4-20mA
IWPTU-C0446-00	-14.5 to +150 psi	1-5Vdc or 4-20mA
IWPTU-GP075-00	0-75 psi G	1-5Vdc or 4-20mA
IWPTU-GP100-00	0-100 psi G	1-5Vdc or 4-20mA
IWPTU-C0447-00	-14.5 to +350 psi	1-5Vdc or 4-20mA
IWPTU-GP150-00	0-150 psi G	1-5Vdc or 4-20mA
IWPTU-GP300-00	0-300 psi G	1-5Vdc or 4-20mA
IWPTU-GP750-00	0-750 psi G	1-5Vdc or 4-20mA
IWPTU-GP1K5-00	0-1500 psi G	1-5Vdc or 4-20mA
IWPTU-GP3K6-00	0-3600 psi G	1-5Vdc or 4-20mA
IWPTU-GP5K8-00	0-5800 psi G	1-5Vdc or 4-20mA

### Mechanical Dimensions



Cynergy3 Components Ltd.  
 7 Cobham Road  
 Ferndown Industrial Estate  
 Wimborne, Dorset BH21 7PE  
 Telephone +44 (0) 1202 897969  
 Email:sales@cynergy3.com

ISO9001 CERTIFIED