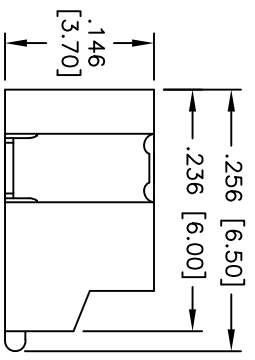
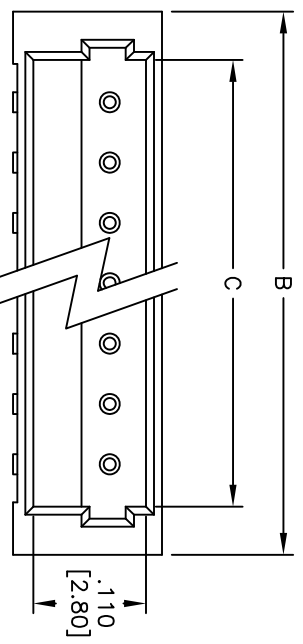
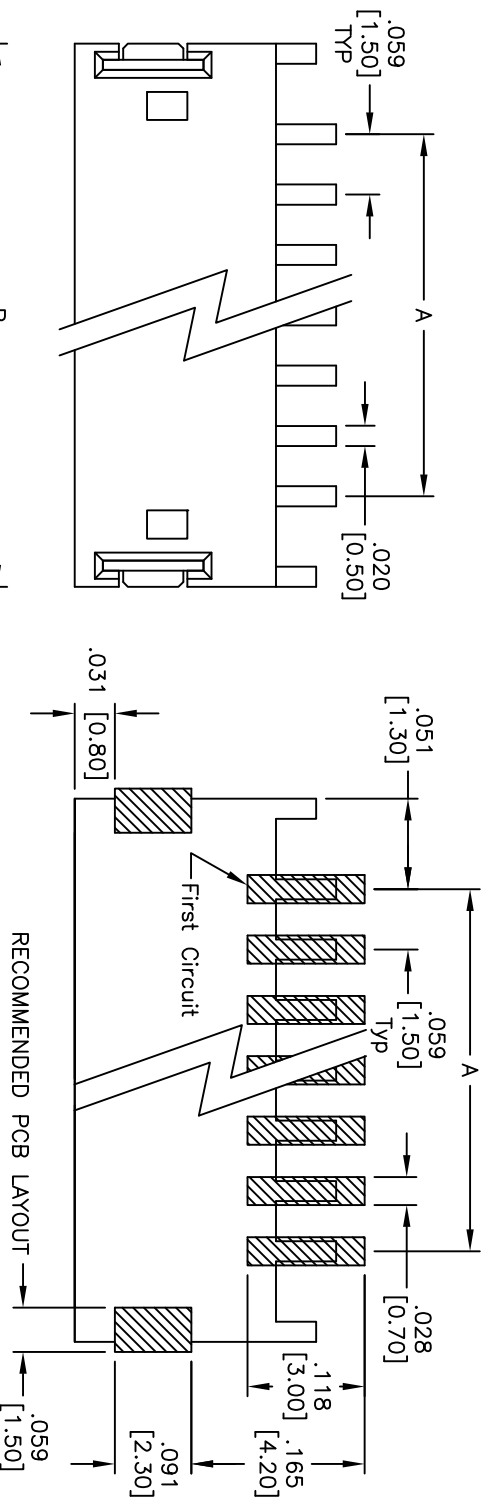


APPROVED: \_\_\_\_\_  
 DATE: \_\_\_\_\_ TITLE: \_\_\_\_\_

Rev	AWO #	Description	Date	Appr
-	7790	RELEASED	5/10/07	
A		REVISED SHAPE	11/04/09	



**SPECIFICATIONS:**

**Material:**  
 Insulator: Nylon 9T, rated UL 94V-0  
 Insulator color: Ivory  
 Contacts: Brass  
**Plating:**  
 Tin over Nickel underplate overall

**Electrical:**  
 Operating voltage: 50 VAC max  
 Current rating: 1 Amps max  
 Contact resistance: 20 mohms max  
 Insulation resistance: 500 Mohms min  
 Dielectric withstanding voltage: 500 VAC for 1 minute  
**Temperature Rating:**  
 Operating temperature: -25°C to +85°C

**Environmental:**  
 Lead free, RoHS compliant.  
 Recommended soldering: 260°C for 5 Sec.



Poles: 2 thru 15  
 A = .059 [1.50] x No. of (Poles-1)  
 B = .059 [1.50] x No. of Poles + .118 [3.00]  
 C = .089 [1.50] x No. of Poles + .024 [0.60]

UNLESS OTHERWISE SPECIFIED  
 ALL DIMENSIONS ARE INCHES [MM]  
 TOLERANCES: EXCEPT AS NOTED  
 INCHES: .10 ØXX ±.015  
 .XX ±.020 ØXXX ±.010  
 .XXX ±.015 ØXXXX ±.010

**ADAM TECH**  
 909 Rahway Avenue, Union, NJ 07083  
 Phone: 908-687-5000 Fax: 908-687-5710  
 TITLE: MX1 5mm WAFER 90°, SMT

APPROVALS	DATE	SIZE	PART NO.	REV.
DRAWN	SS	11/5/07	15SH-A-XX-TR-SMT-TR	A
CHECKED				
APPROVED				

REF: S00123T SCALE: NTS SHEET 1 OF 2