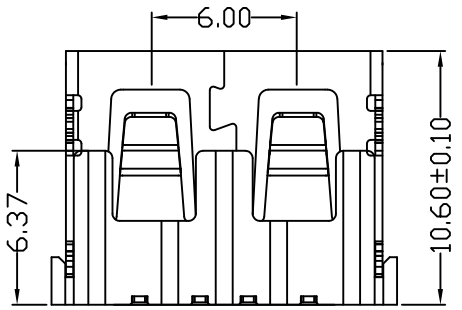
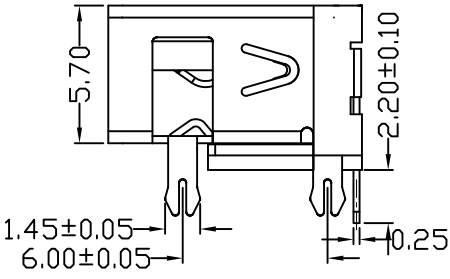
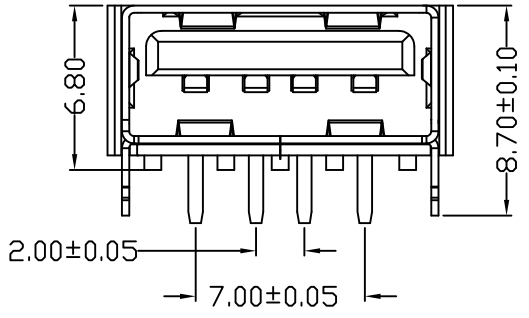
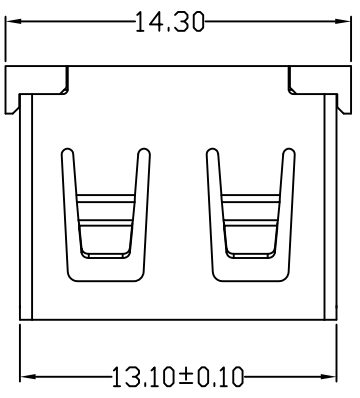


D款, 正向10.6四脚, DIP-*6.80

MAPX	MODIFICATION	DATE



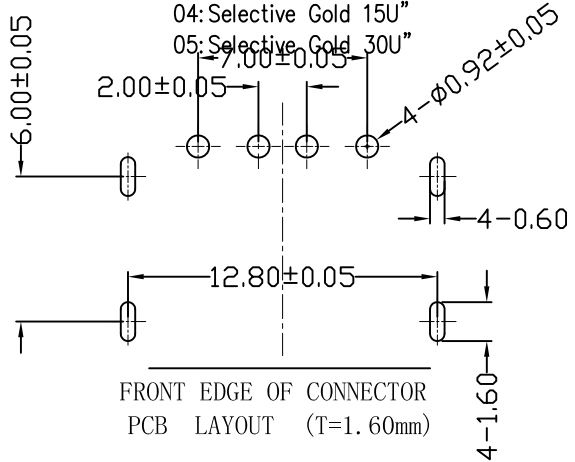
NOTES:
 1.HOUSING: SEE NOTES,
 TERMINAL: SEE NOTES.
 SHELL: SEE NOTES.

SPECIFICATION:
 1.ELECTRICAL CHARACTERISTIC:
 CONTACT RESISTANCE: 30mΩ MAX
 DIELECTRIC WITHSTANDING VOLTAGE: 500V AC FOR 1MIN
 INSULATION RESISTANCE: 1000MΩ MIN

2.MECHANICAL CHARACTERISTIC:
 INSERTION FORCE: 35N(3.57KGF) MAX
 EXTRACTION FORCE: 10~35N(1.02~3.57KGF)MIN
 DURABILITY: 1500 CYCLES EXTRACTION FORCE:10~35N
 5000 CYCLES MIN
 5000 CYCLES EXTRACTION

FORCE: 3~35N
 3.ENVIRONMENTAL:
 OPERATING TEMPERATURE: -55°C+85°C

4.Contact finish:
 01: Selective Gold Flash
 02: Selective Gold 3U"
 03: Selective Gold 5U"
 04: Selective Gold 15U"
 05: Selective Gold 30U"



产品图 PRODUCT CHART DWG 公差一览表 TOLERANCE UNLESS OTHERWISE				深圳市精拓金电子有限公司						
X.	±0.25	X.	±5°	单位	MM	制图	Z-Y-B	制图料号	912-322A1013D10100	
.X	±0.20	.X	±2°	比例	1:1	审核		产品名称	AF10.6D款四脚无边方弹铜壳	
.XX	±0.05	.XX	±1°	日期	2012.09.24	核准		角法	PBT白胶6.8DIP	
.XXX	±0.03	.XXX	±0.5°	日期		APPD		版本	AD	