



Model number

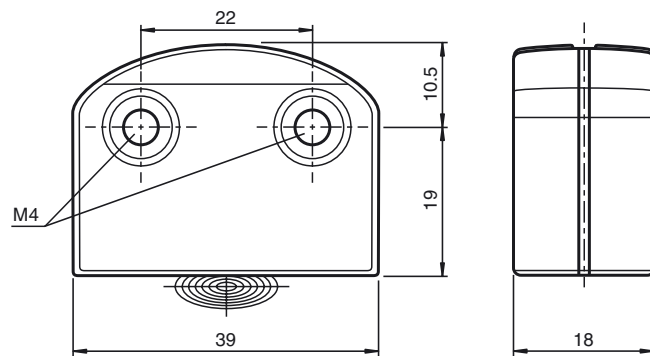
VAZ-IEI3-TAG1-S

Actuator for non-contact AS-Interface safety switches

Features

- Battery-free code carrier

Dimensions



Technical data

General specifications

Detection type inductive

Functional safety related parameters

Safety Integrity Level (SIL) SIL 3

Performance level (PL) PL e

Electrical specifications

Power supply inductive over reading head

Ambient conditions

Ambient temperature -25 ... 70 °C (-13 ... 158 °F)

Mechanical specifications

Material

Housing Thermoplastic Hotmelt

Installation Active surface facing Read head

Mass 20 g

Release date: 2018-08-01 07:57 Date of issue: 2018-08-01 319859_eng.xml

Refer to "General Notes Relating to Pepperl+Fuchs Product Information".

Pepperl+Fuchs Group
www.pepperl-fuchs.com

USA: +1 330 486 0001
fa-info@us.pepperl-fuchs.com

Germany: +49 621 776 4411
fa-info@de.pepperl-fuchs.com

Singapore: +65 6779 9091
fa-info@sg.pepperl-fuchs.com