

# T1/CEPT PULSE TRANSFORMER

UL 1459 Recognized 

Turns Ratio ( ± 5% )

1:1:1

Flammability: Materials used in the production of these units meet requirements of UL94-VO and IEC 695-2-2 needle flame test.

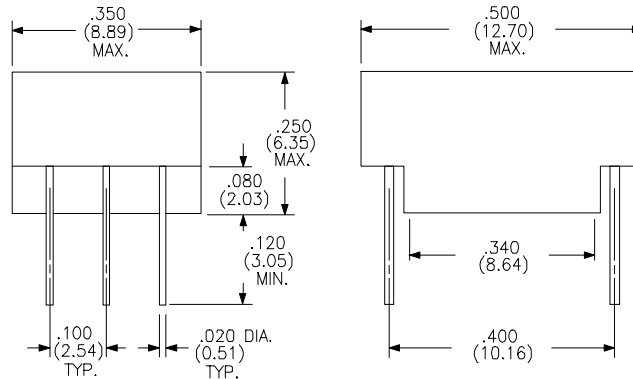
PARAMETER	MIN.	MAX.	UNITS
Open Circuit Inductance Oscillation Voltage = 20mV Oscillation Frequency = 100.0 KHz	1.2		mHy
Leakage Inductance Oscillation Level = 20mV Oscillation Frequency = 100.0 KHz		0.50	μHy
Interwinding Capacitance (C <sub>WW</sub> ) Oscillation Frequency = 100.0 KHz		25	pF
Primary DC Resistance		0.7	ohms
Secondary DC Resistance		0.7	ohms
Isolation (HI-POT)	1.5 Kv		VRMS

**Temperature Characteristics:**  
 -40° C 700 μH min. (40% drop in inductance)  
 +85° C 1.4 mH min. (15% growth in inductance)  
**Typical part:**  
 1.7 mH @ +25° C  
 2.0 mH @ +85° C  
 1.0 mH @ -40° C

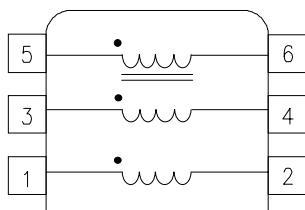
Parts shipped in anti-static tubes. 50 pieces per tube

## PHYSICAL DIMENSIONS

All dimensions in inches (mm):



## SCHEMATIC DIAGRAM:



**RHOMBUS INDUSTRIES INC.**  
**FSCM NO. 16714**

RHOMBUS P/N: T-10200

CUST P/N:

NAME:

DATE: 2/19/96

SHEET: 1 OF 1