

PLEASE CHECK WWW.MOLEX.COM FOR LATEST PART INFORMATION

Part Number: [0190700132](#)
Status: **Active**
Description: InsulKrimp™ Ring Tongue Terminal for 10-12 AWG Wire

Documents:

[Drawing \(PDF\)](#) [RoHS Certificate of Compliance \(PDF\)](#)
[Product Specification PS-19902-009 \(PDF\)](#)

Agency Certification

CSA LR18689
 UL E32244

General

Product Family Ring and Spade Terminals
 Series [19070](#)
 Crimp Quality Equipment Yes
 Mil-Spec N/A
 Product Name InsulKrimp™
 Type Ring

Physical

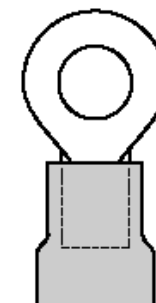
Barrel Type Closed
 Color - Resin Natural
 Flammability 94V-2
 Insulation PVC
 Material - Plating Mating Tin
 Packaging Type Bag
 Stud Size 1/4" (M6)
 Wire Insulation Diameter 6.40mm (.250") max.
 Wire Size AWG 10, 12
 Wire Size mm² 3.30 - 5.00

Material Info

Old Part Number C-230-14X

Reference - Drawing Numbers

Product Specification PS-19902-009
 Sales Drawing CCD20101



*Series
 image - Reference only*

EU RoHS

**ELV and RoHS
 Compliant**
REACH SVHC
 Not Reviewed
**Halogen-Free
 Status**
Not Reviewed

China RoHS



**Need more information on product
 environmental compliance?**

Email productcompliance@molex.com
 For a multiple part number RoHS Certificate of
 Compliance, [click here](#)

Please visit the [Contact Us](#) section for any
 non-product compliance questions.

Search Parts in this Series

[19070Series](#)

Application Tooling | [FAQ](#)

*Tooling specifications and manuals are
 found by selecting the products below.
 Crimp Height Specifications are then
 contained in the Application Tooling
 Specification document.*

Global

| Description | Product # |
|--|----------------------------|
| Hand Crimp Tool | 0640010100 |
| Hand Crimp Tool | 0640010300 |
| Hand Crimp Tool | 0640011500 |
| Crimp Head for the AT-200™ Pneumatic Hand Tool | 0640050100 |
| Crimp Head for the AT-200™ Pneumatic Hand Tool | 0640050300 |

PLEASE CHECK WWW.MOLEX.COM FOR LATEST PART INFORMATION

NOTES: ±.001

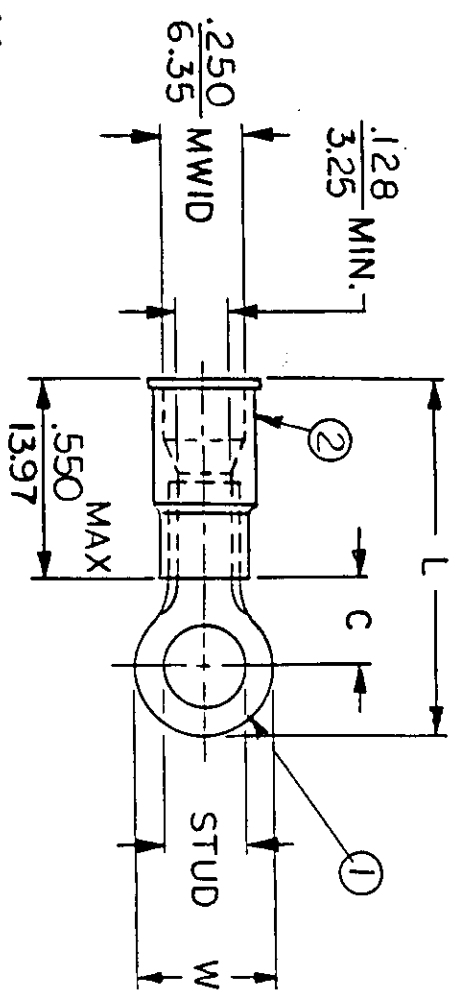
- ① MAT'L: COPPER(STOCK TKN. $\frac{040}{1.02}$)
- PLATING: ELECTRO-TIN (.0003 MIN.)
- ② INSULATION: MOLDED PVC (YELLOW)

STUD SIZES: ($\pm .005$)

| | |
|-----------|-----------|
| 02 = .094 | 209 = 209 |
| 04 = .119 | 413 = 413 |
| 06 = .146 | |
| 08 = .173 | |
| 10 = .198 | |
| 14 = .265 | |
| 56 = .328 | |
| 38 = .390 | |
| 76 = .453 | |
| 12 = .515 | |

"UL" LISTING # E32244
 "CSA" LISTING # 18689

ALL DIMENSIONS = $\frac{\text{INCHES}}{\text{MM}}$



MWID = MAXIMUM WIRE
 INSULATION DIAMETER
 WIRE SIZE: 12-10 AWG
 40-60 MM²

| PART NUMBER | "W" ±.010 | "C" MIN. | "L" MAX. | AVAILABLE STUD SIZES |
|-------------|----------------------|----------------------|-----------------------|--------------------------------|
| C-201- | $\frac{.750}{19.05}$ | $\frac{.611}{15.52}$ | $\frac{1.571}{39.90}$ | 14X, 56X, 38X, 76X, 12X |
| C-228- | $\frac{.375}{9.53}$ | $\frac{.303}{7.70}$ | $\frac{1.076}{27.33}$ | 04X, 06X, 08X, 10X, 209X |
| C-230- | $\frac{.530}{13.46}$ | $\frac{.393}{9.98}$ | $\frac{1.243}{31.57}$ | 10X, 14X, 56X, 38X |
| C-236- | $\frac{.282}{7.16}$ | $\frac{.306}{7.77}$ | $\frac{1.032}{26.21}$ | 04X, 06X, 08X |
| C-240- | $\frac{.592}{15.04}$ | $\frac{.466}{11.84}$ | $\frac{1.347}{34.21}$ | 10X, 14X, 56X, 38X, 209X, 413X |

| | | | | | | |
|---|------|-----------|------------|-----|----------|-----------------------|
| DIMENSIONAL TOLERANCES UNLESS OTHERWISE SPECIFIED | | REFERENCE | SCALE: | NTS | DATE | TITLE: |
| FRAC. | DEC. | ANG. | DRWN. BY: | JJ | 10-31-84 | RING TONGUE TERMINAL |
| ± | ± | ± | CHKD. BY: | GZ | 11-26-84 | INSULKRIMP 200-SERIES |
| | | | APPRD. BY: | | | |

FILE NO. C-CD-201-01



DWG. NO. A CUSTOMER DWG.