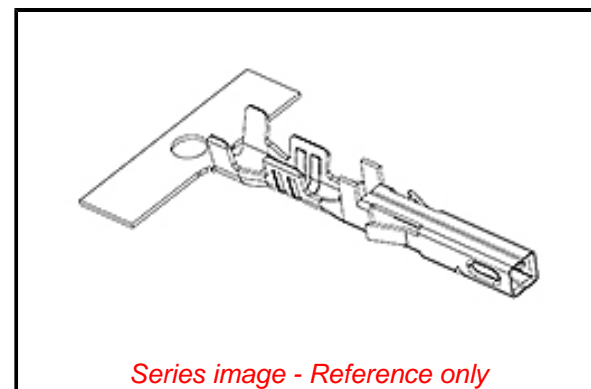


**PLEASE CHECK WWW.MOLEX.COM FOR LATEST PART INFORMATION**

**Part Number:** [1727184112](#)  
**Status:** **Active**  
**Overview:** Mini-Fit Jr. Power Connectors  
**Description:** Mini-Fit TPA2 Female Crimp Terminal, Phosphor Bronze, Pre-Plated Tin (Sn), 18-20 AWG, 2.10-2.85mm Insulation Diameter, Bag

**Documents:**

<a href="#">Drawing (PDF)</a>	<a href="#">Packaging Specification PK-172718-0001-000 (PDF)</a>
<a href="#">Product Specification PS-172718-0000-001 (PDF)</a>	<a href="#">Test Summary 1727180001-TS-000 (PDF)</a>
<a href="#">Application Specification AS-172718-0000-001 (PDF)</a>	<a href="#">RoHS Certificate of Compliance (PDF)</a>
<a href="#">Packaging Specification PK-172718-0000-000 (PDF)</a>	



**General**

Product Family	Crimp Terminals
Series	<a href="#">172718</a>
Application	Power
Comments	See product specification for current derating information.   See Mini-Fit TPA2 housing series for 3D models.
Crimp Quality Equipment Overview	Yes
Packaging Alternative	<a href="#">Mini-Fit Jr. Power Connectors 172718-4111 (Reel)</a>
Product Name	Mini-Fit TPA2
UPC	889056179454

**Physical**

Durability (mating cycles max)	30
Gender	Female
Material - Metal	Phosphor Bronze
Material - Plating Mating	Tin
Material - Plating Termination	Tin
Net Weight	0.210/g
Packaging Type	Bag
Plating min - Mating	2.500µm
Plating min - Termination	2.500µm
Termination Interface: Style	Crimp or Compression
Wire Insulation Diameter	2.10-2.85mm
Wire Size AWG	18, 20
Wire Size mm <sup>2</sup>	N/A

**Electrical**

Current - Maximum per Contact	11.0A
Voltage - Maximum	600V AC/DC

**Solder Process Data**

Lead-freeProcess Capability	N/A
-----------------------------	-----

**Material Info**

**Reference - Drawing Numbers**

Application Specification	AS-172718-0000-001
Packaging Specification	PK-172718-0000-000, PK-172718-0001-000
Product Specification	PS-172718-0000-001
Sales Drawing	SD-172718-0000-000
Test Summary	1727180001-TS-000

**EU ELV**

**Not Relevant**

**EU RoHS**

**Compliant**

**REACH SVHC**

Not Contained Per  
-ED/01/2018 (15  
January 2018)

**Halogen-Free**

**Status**

**Low-Halogen**

**Need more information on product environmental compliance?**

Email [productcompliance@molex.com](mailto:productcompliance@molex.com)  
Please visit the [Contact Us](#) section for any non-product compliance questions.

China ROHS	Green Image
ELV	Not Relevant
RoHS Phthalates	Not Contained

**Search Parts in this Series**

[172718 Series](#)

**Use With**

Mini-Fit TPA2 Receptacle Housings [172708](#), [200453](#)

This document was generated on 05/01/2018

**PLEASE CHECK [WWW.MOLEX.COM](http://WWW.MOLEX.COM) FOR LATEST PART INFORMATION**