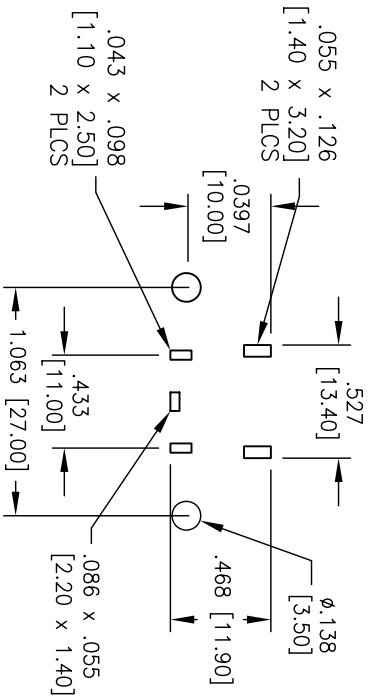
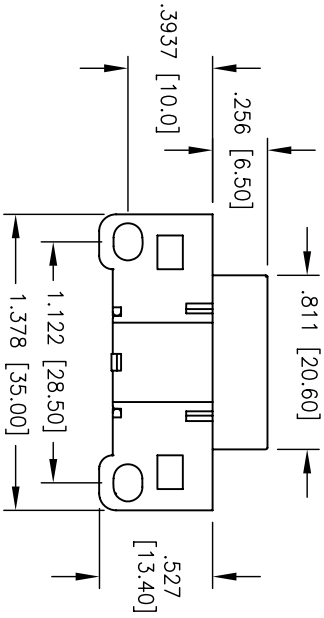
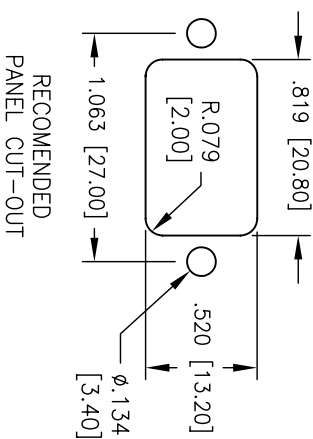
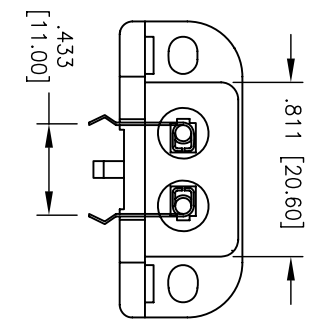
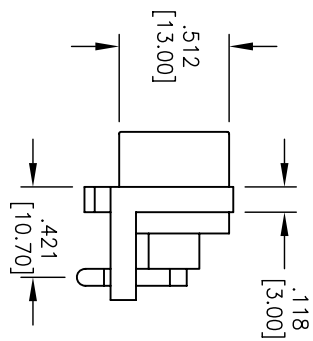
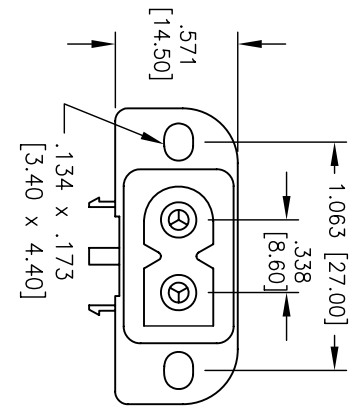


Rev	AWO #	Description	Date	Appr
-		RELEASED	XX/XX/XX	

APPROVED: _____ TITLE: _____
 DATE: _____



RECOMMENDED
PCB LAYOUT

SPECIFICATIONS:
 Material: Insulator: Nylon 66, rated UL 94V-0
 Insulator color: Black
 Contacts: Phosphor Bronze, Tin Plated
 Electrical:
 Operation voltage: 250 VAC max
 Current rating: 2.5 Amps max
 Insulation resistance: 100 Mohms min @ 500 VDC
 Dielectric withstanding voltage: 2000 VAC for 1 minute
 Environmental:
 Lead free, RoHS compliant.
 Recommended soldering temp: 235 for 5 sec.



UNLESS OTHERWISE SPECIFIED ALL DIMENSIONS ARE MM [INCHES] TOLERANCES: EXCEPT AS NOTED	
INCHES	HOLES
X ± .10	ØXX ± .10
.XX ± .020	ØXX ± .015
.XXX ± .015	ØXXX ± .010
APPROVALS	DATE
DRAWN	SS
CHECKED	
APPROVED	

ADAM TECH
 909 Rahway Avenue, Union, NJ 07083
 Phone: 908-687-5000 Fax: 908-687-5710

TITLE: IEC 60320, C8 POLARIZED, R/A,
PCB TERMINAL, PANEL MOUNT

SIZE: X PART NO.: IEC-NF-4
 REF: SCALE: NTS SHEET 1 OF 1