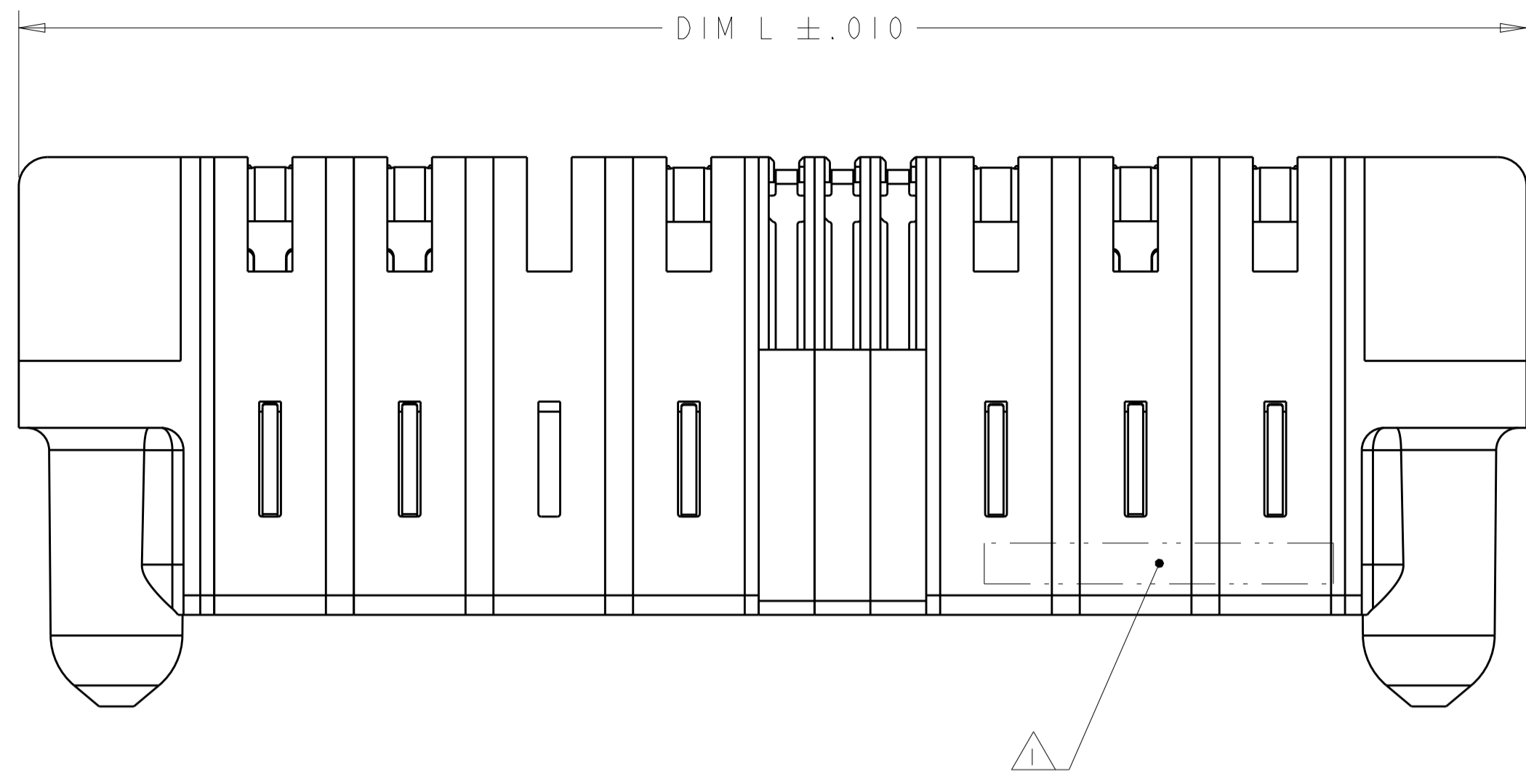
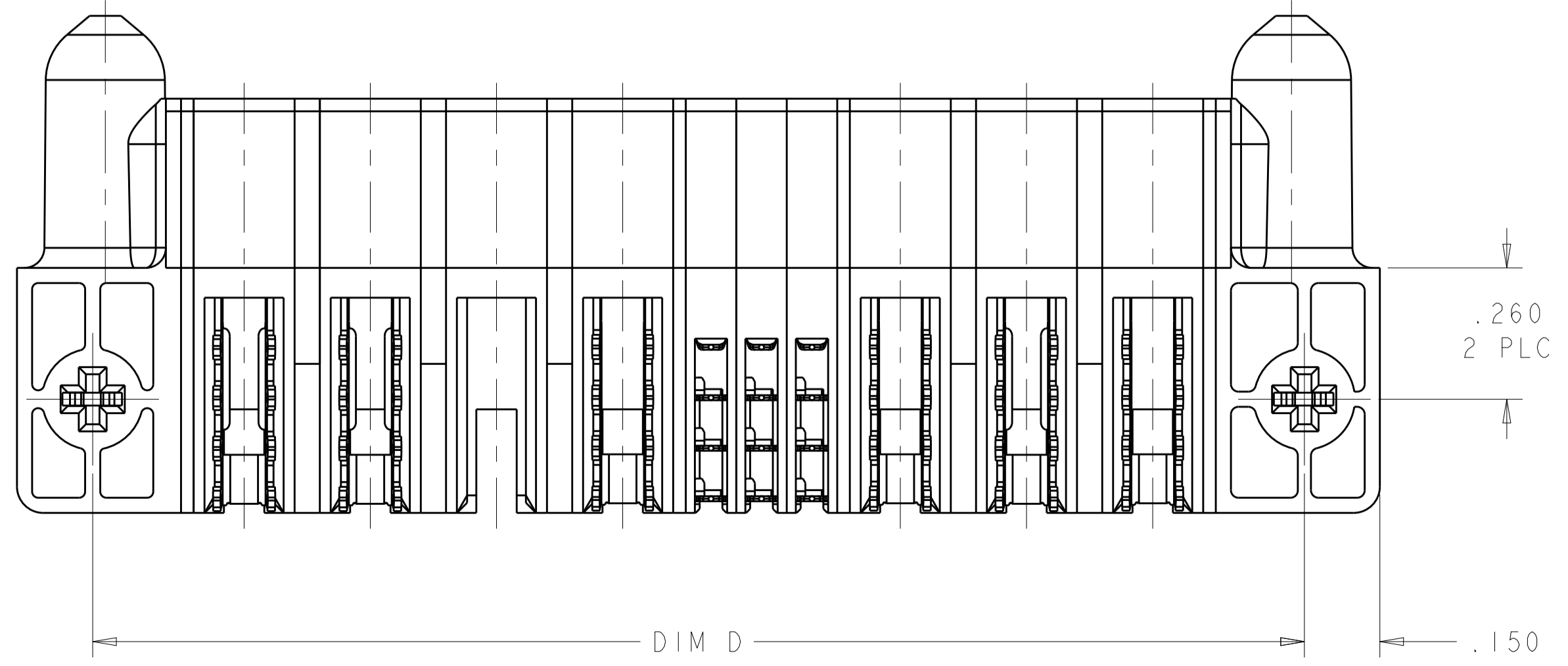
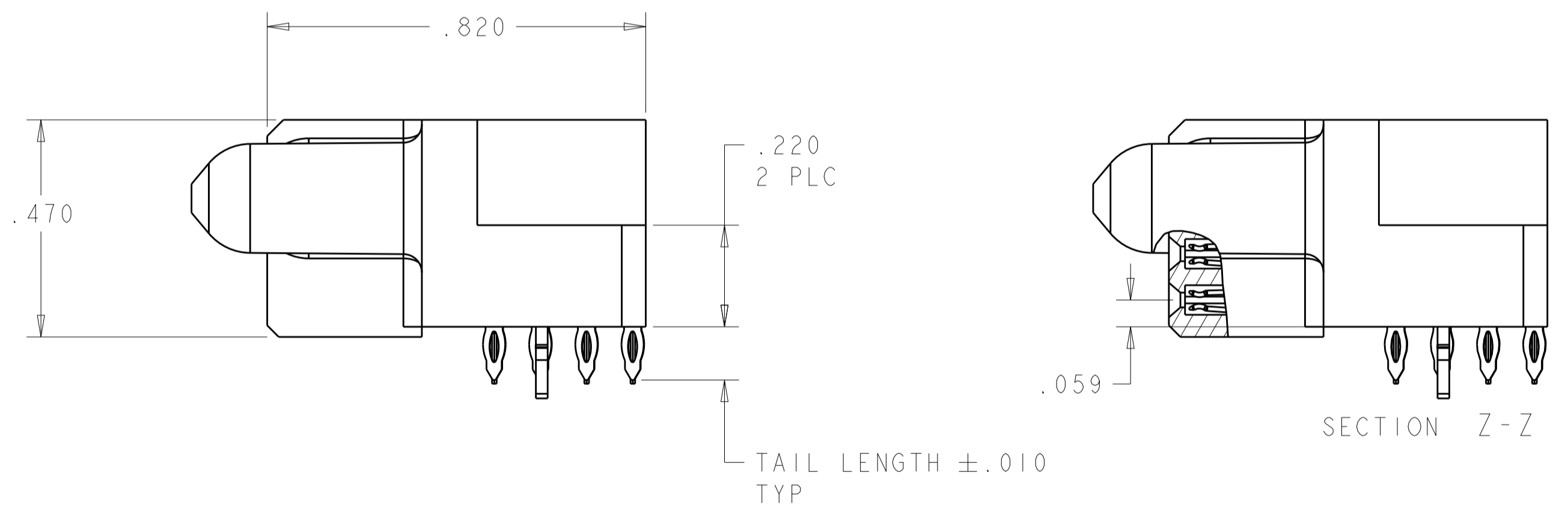
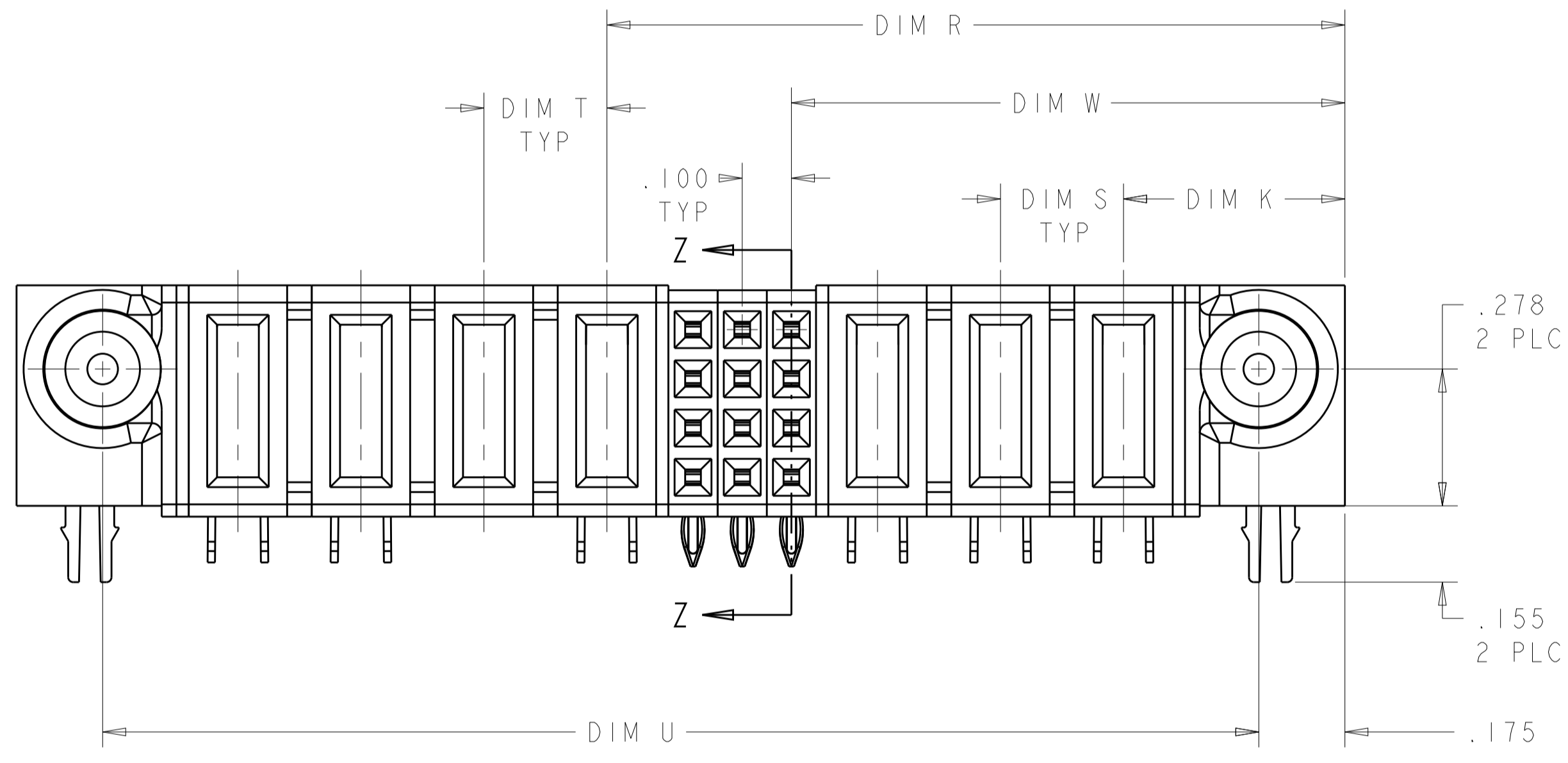


LOC		DIST		REVISIONS			
ES	00	P	LTN	DESCRIPTION	DATE	DMN	APVD
		H2		REV PER ECR-12-010534	11JUN2012	CZ	SZ
		H3		REV PER ECR-13-004638	20MAR2013	ML	SZ



- ① "AMP", PART NUMBER, AND DATE CODE TO BE MARKED IN AREA SHOWN
- ② MATERIAL: HOUSING - GLASS FILLED HIGH TEMP THERMO PLASTIC, UV94 V-0  
 SIGNAL CONTACT - HIGH CONDUCTIVITY COPPER ALLOY  
 POWER CONTACT - HIGH CONDUCTIVITY COPPER ALLOY
- ③ CONTACT PLATING: NOBLE METAL PLATING ON CONTACT FUNCTIONAL AREA OF POWER AND SIGNAL CONTACTS
- ④ MECHANICAL CONNECTOR KEEP OUT ZONE
- ⑤ DATUM AND BASIC DIMENSIONS ESTABLISHED BY CUSTOMER
- ⑥ PCB - ALL HOLE DIAMETERS ARE FINISHED HOLE SIZES
- ⑦ PCB - .0453 ±.0010 DRILLED HOLE PLATED WITH .0003 MIN Sn OVER .001-.003 PLATING TO ACHIEVE A .040 HOLE



①	U	T	S	R	W	D	M	L	K	DESCRIPTION	PART NUMBER	
	.150	.119	3.700	.250	.250	2.850	1.375	3.750	-	4.050 .450	4P + 56S + 4P	1-6450560-9
	.150	.119	2.900	.250	.250	2.050	1.375	2.950	-	3.250 .450	4P + 24S + 4P	1-6450560-7
	NO	.119	5.100	.250	.250	3.250	2.375	5.150	-	5.450 .450	8P + 32S + 8P	1-6450560-6
	.150	.119	2.850	.250	.250	2.500	1.875	2.900	-	3.200 .450	6P + 20S + 2P	1-6450560-5
	.150	.119	2.000	.250	.250	1.650	.925	2.050	-	2.350 .450	2P + 24S + 2P	1-6450560-3
	.150	.119	1.900	.250	.250	1.550	.875	1.950	-	2.250 .450	2P + 24S + 2P	1-6450560-2
	.150	.165	2.300	.200	.200	1.600	1.225	2.350	-	2.650 .450	4P + 12S + 4P	1-6450560-1
	NO	.165	3.800	.250	.250	3.450	.875	3.850	-	4.150 .450	2P + 100S + 2P	6450560-8
	.150	.119	2.600	.250	.250	2.250	1.925	2.650	-	2.950 .450	6P + 8S + 2P	6450560-6
	NO	.165	4.000	.200	.200	2.700	1.825	4.050	-	4.350 .450	7HDP + 32S + 7HDP	6450560-4
	NO	.119	1.200	-	-	1.100	.625	1.250	-	1.550 .450	1P + 16S + 1P	6450560-3
	NO	.119	3.600	.250	.250	2.500	1.625	3.650	-	3.950 .450	5P + 32S + 5P	6450560-2
	NO	.119	2.350	.250	.250	1.500	1.125	2.400	-	2.700 .450	3P + 12S + 4P	6450560-1
MOUNTING HOLES												
TAIL LENGTH												

THIS DRAWING IS A CONTROLLED DOCUMENT. DWN: R. GRZYBOWSKI 09MAR05  
 CHK: M. PERCHERKE 09MAR05  
 APVD: M. PERCHERKE

DIMENSIONS: INCHES TOLERANCES UNLESS OTHERWISE SPECIFIED:  
 0 PLC ±.01  
 1 PLC ±.01  
 2 PLC ±.01  
 3 PLC ±.005  
 4 PLC ±.002  
 ANGLES ±.2°

MATERIAL: FINISH: ② ③

Customer Drawing

NAME: RIGHT ANGLE RECEPTACLE ASSEMBLY WITH GUIDES MULTI-BEAM XL  
 PRODUCT SPEC: 108-1973  
 APPLICATION SPEC: 114-13038

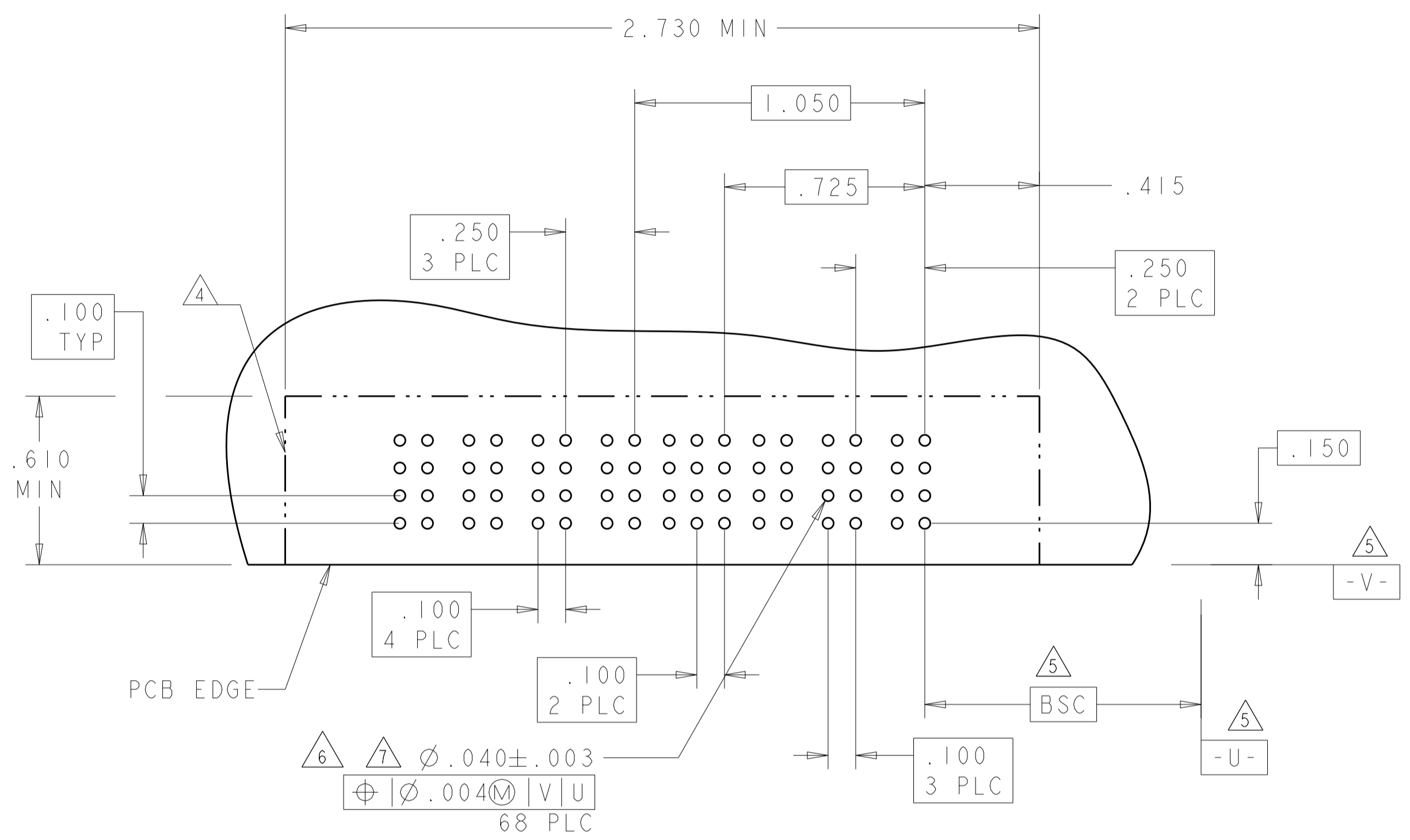
SIZE: A1 00779 C=6450560  
 SCALE: 4:1 SHEET 1 OF 7 REV: H3

LOC	DIST	REV	DATE	BY	APPV
ES	00				

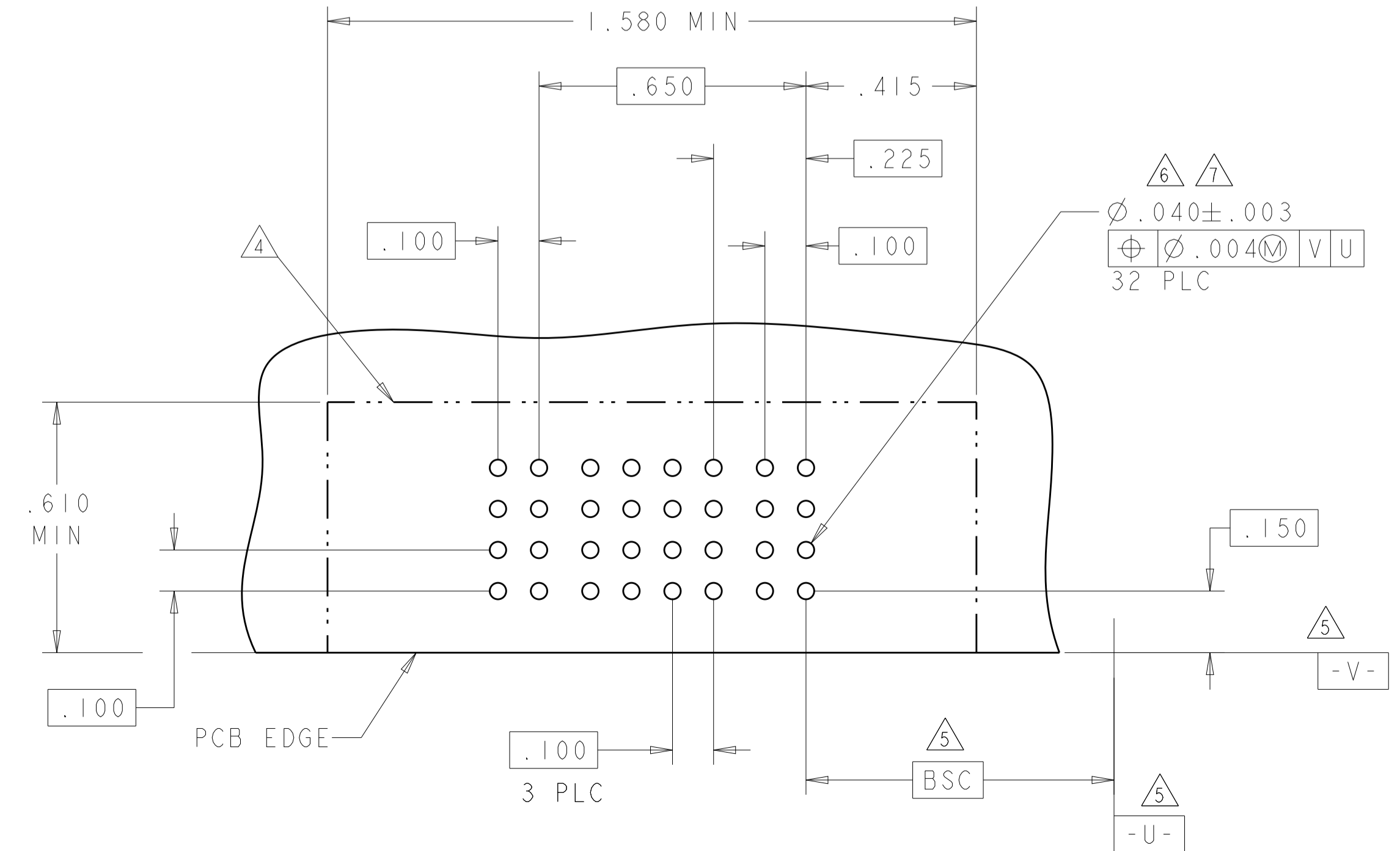
  

REVISIONS		DATE	BY	APPV
1	SEE SHEET 1			

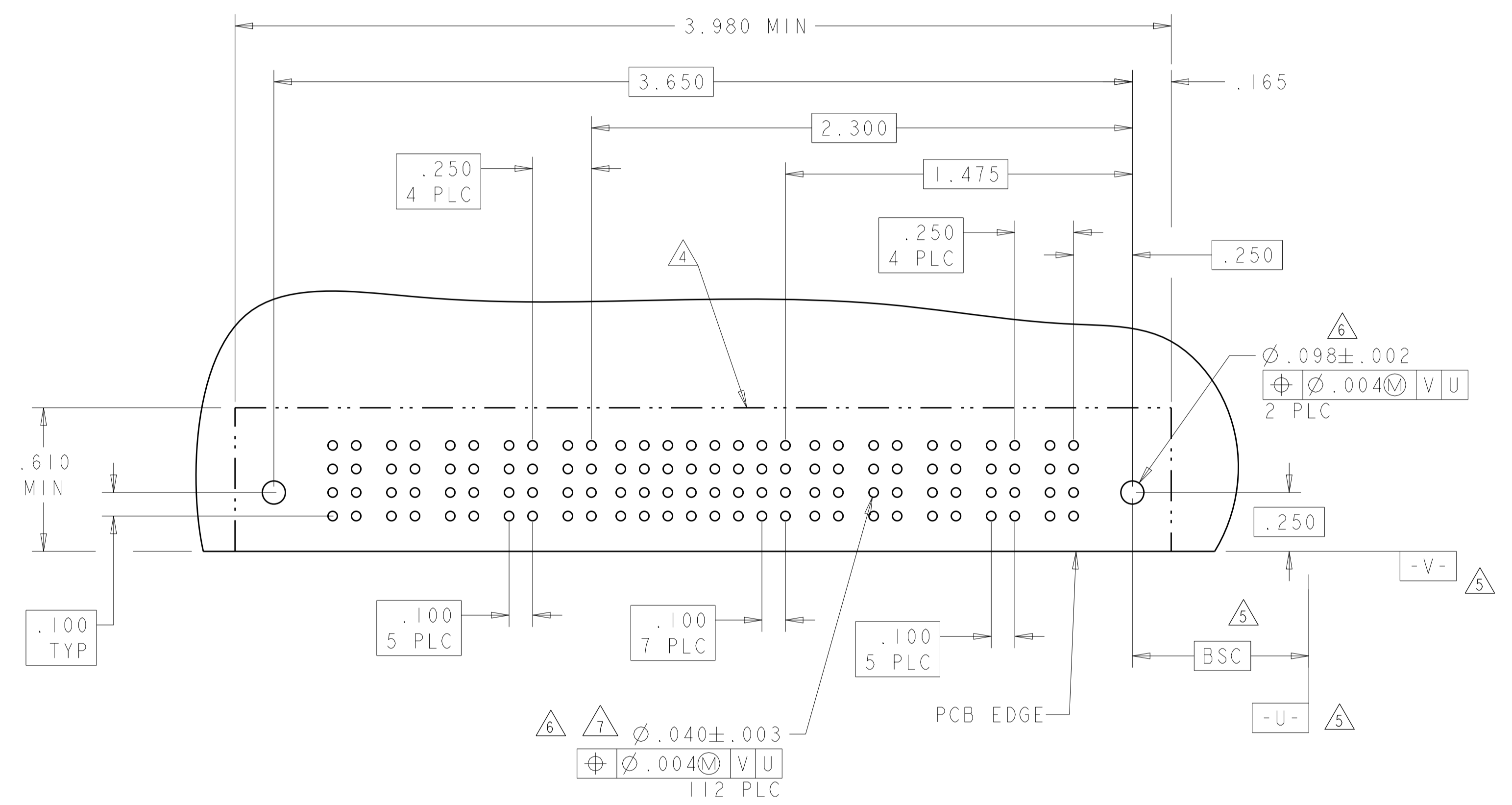
PART NUMBER	ROWS	POWER				SIGNAL			POWER		
		P7	P6	P5	P4	3	2	1	P3	P2	P1
6450560-1	D C B A	RS	RS	RP	D	D	D	RP	RS	RP	
					C	C	C				
					B	B	B				
					A	A	A				
3P + 12S + 4P											



PART NUMBER	ROWS	POWER		SIGNAL				POWER
		P2	P1	4	3	2	1	
6450560-3	D C B A	RP	RP	D	D	D	D	RP
				C	C	C	C	
				B	B	B	B	
				A	A	A	A	
1P + 16S + 1P								



PART NUMBER	ROWS	POWER					SIGNAL								POWER				
		P10	P9	P8	P7	P6	8	7	6	5	4	3	2	1	P5	P4	P3	P2	P1
6450560-2	D C B A	RP	RP	RP	RP	RP	D	D	D	D	D	D	D	D	RP	RP	RP	RP	RP
							C	C	C	C	C	C	C	C					
							B	B	B	B	B	B	B	B					
							A	A	A	A	A	A	A	A					
5P + 32S + 5P																			



CODE	TAIL LENGTH	DESCRIPTION
RK	PRESS FIT	MFBL
RL	PRESS FIT	STD
RP	PRESS FIT	MFBL
RS	PRESS FIT	STD

CODE	TAIL LENGTH	ROW
DD	PRESS FIT	D
CC	PRESS FIT	C
BB	PRESS FIT	B
AA	PRESS FIT	A
D	PRESS FIT	D
C	PRESS FIT	C
B	PRESS FIT	B
A	PRESS FIT	A

THIS DRAWING IS A CONTROLLED DOCUMENT. OWN: R. GRZYBOWSKI, 09MAR05; CHK: M. PERCHERKE, 09MAR05; APVD: M. PERCHERKE.

DIMENSIONS: INCHES. TOLERANCES UNLESS OTHERWISE SPECIFIED: 0 PLC ±.01; 1 PLC ±.01; 2 PLC ±.01; 3 PLC ±.005; 4 PLC ±.0020; ANGLES ± 2°.

MATERIAL: . FINISH: .

WEIGHT: .

Customer Drawing

NAME: RIGHT ANGLE RECEPTACLE ASSEMBLY WITH GUIDES MULTI-BEAM XL. PRODUCT SPEC: 108-1973. APPLICATION SPEC: 114-13038. SIZE: A100779. CAGE CODE: 6450560. DRAWING NO: 114-13038. RESTRICTED TO: .

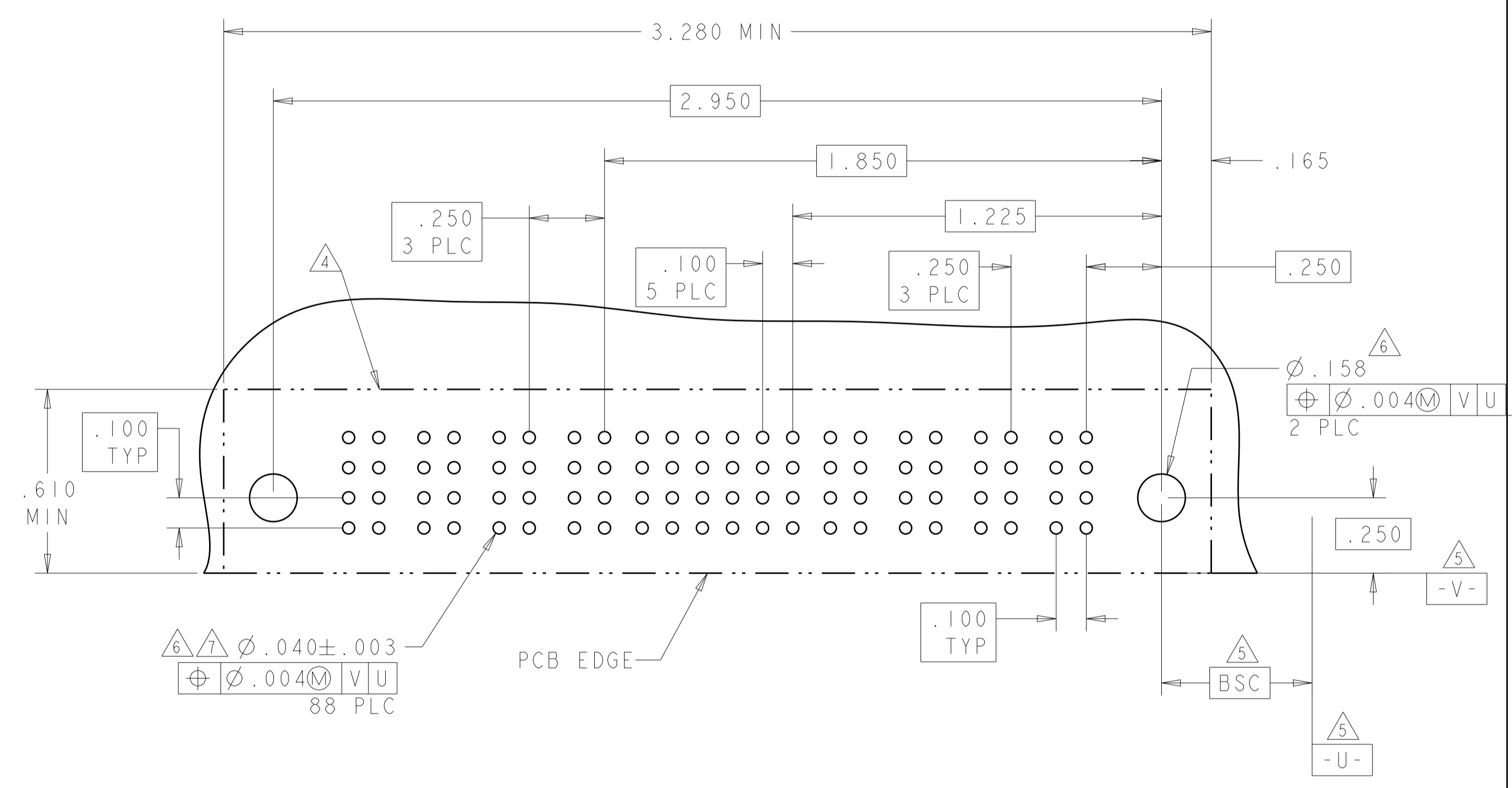
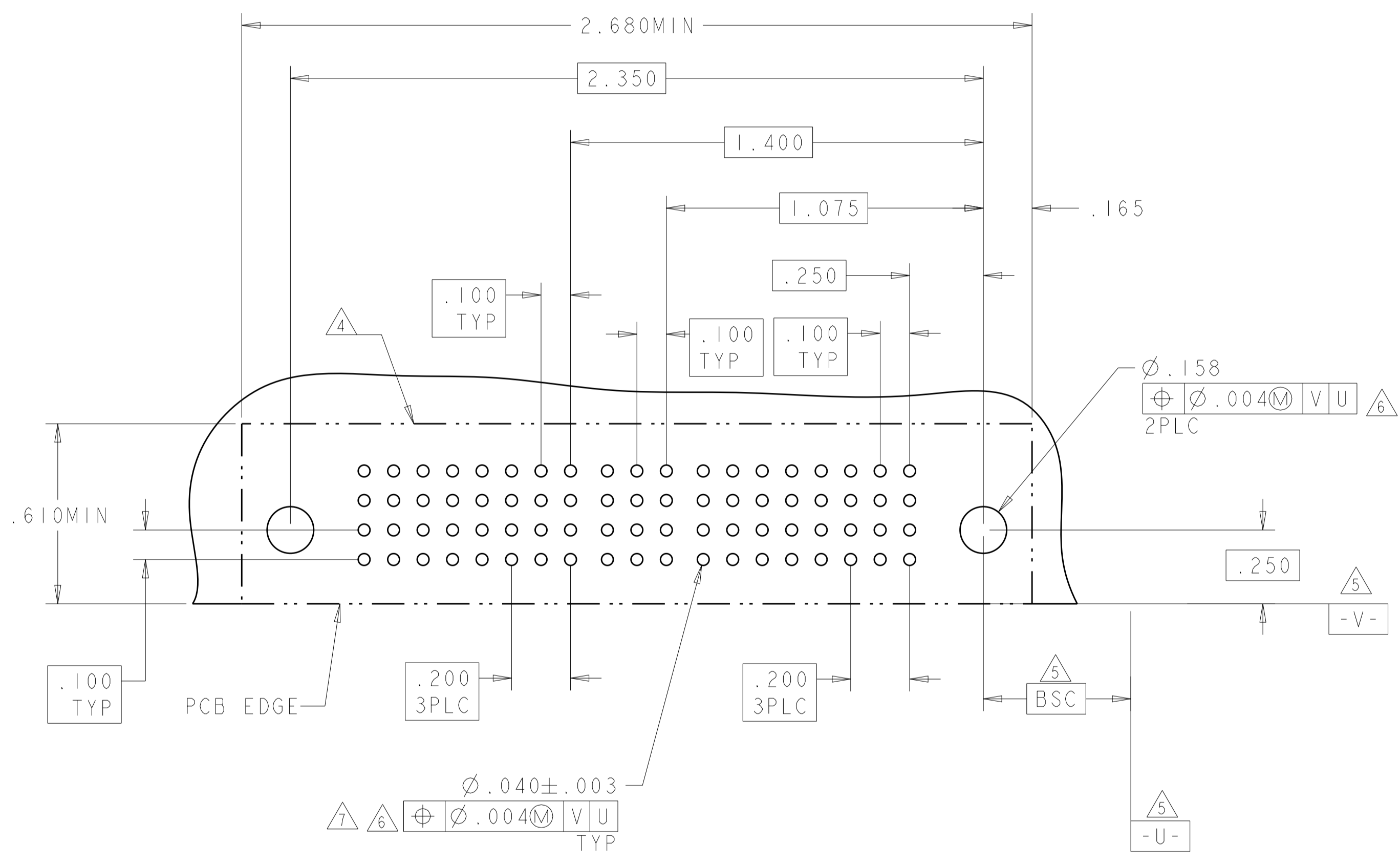
SCALE: 4:1. SHEET: 2 OF 7. REV: H3.



LOC	DIST	REV	DATE	BY	APPV
ES	00				
REVISIONS					
DESCRIPTION					
SEE SHEET 1					

PART NUMBER	ROWS	POWER				SIGNAL			POWER			
		P8	P7	P6	P5	3	2	1	P4	P3	P2	P1
I-6450560-1	D C B A	RL	RL	RL	RL	DD	DD	DD	RL	RL	RL	RL
						CC	CC	CC				
						BB	BB	BB				
						AA	AA	AA				
4P + 12S + 4P												

PART NUMBER	ROWS	POWER				SIGNAL					POWER				
		P8	P7	P6	P5	6	5	4	3	2	1	P4	P3	P2	P1
I-6450560-7	D C B A	RS	RS	RS	RS	D	D	D	D	D	D	RS	RS	RS	RS
						C	C	C	C	C	C				
						B	B	B	B	B	B				
						A	A	A	A	A	A				
4P + 24S + 4P															



THIS DRAWING IS A CONTROLLED DOCUMENT.		OWN: R. GRZYBOWSKI 09MAR05	 TE Connectivity
DIMENSIONS: INCHES		CHK: M. PERCHERKE 09MAR05	
TOLERANCES UNLESS OTHERWISE SPECIFIED:		APVD: M. PERCHERKE	NAME: RIGHT ANGLE RECEPTACLE ASSEMBLY WITH GUIDES MULTI-BEAM XL
0 PLC ± .01		PRODUCT SPEC: 108-1973	SIZE: A100779
1 PLC ± .01		APPLICATION SPEC: 114-13038	CAGE CODE: C=6450560
2 PLC ± .005		WEIGHT: -	RESTRICTED TO: -
3 PLC ± .002		FINISH: -	SCALE: 4:1
ANGLES ± .0020		Customer Drawing	SHEET 4 OF 7
MATERIAL: -			REV: H3

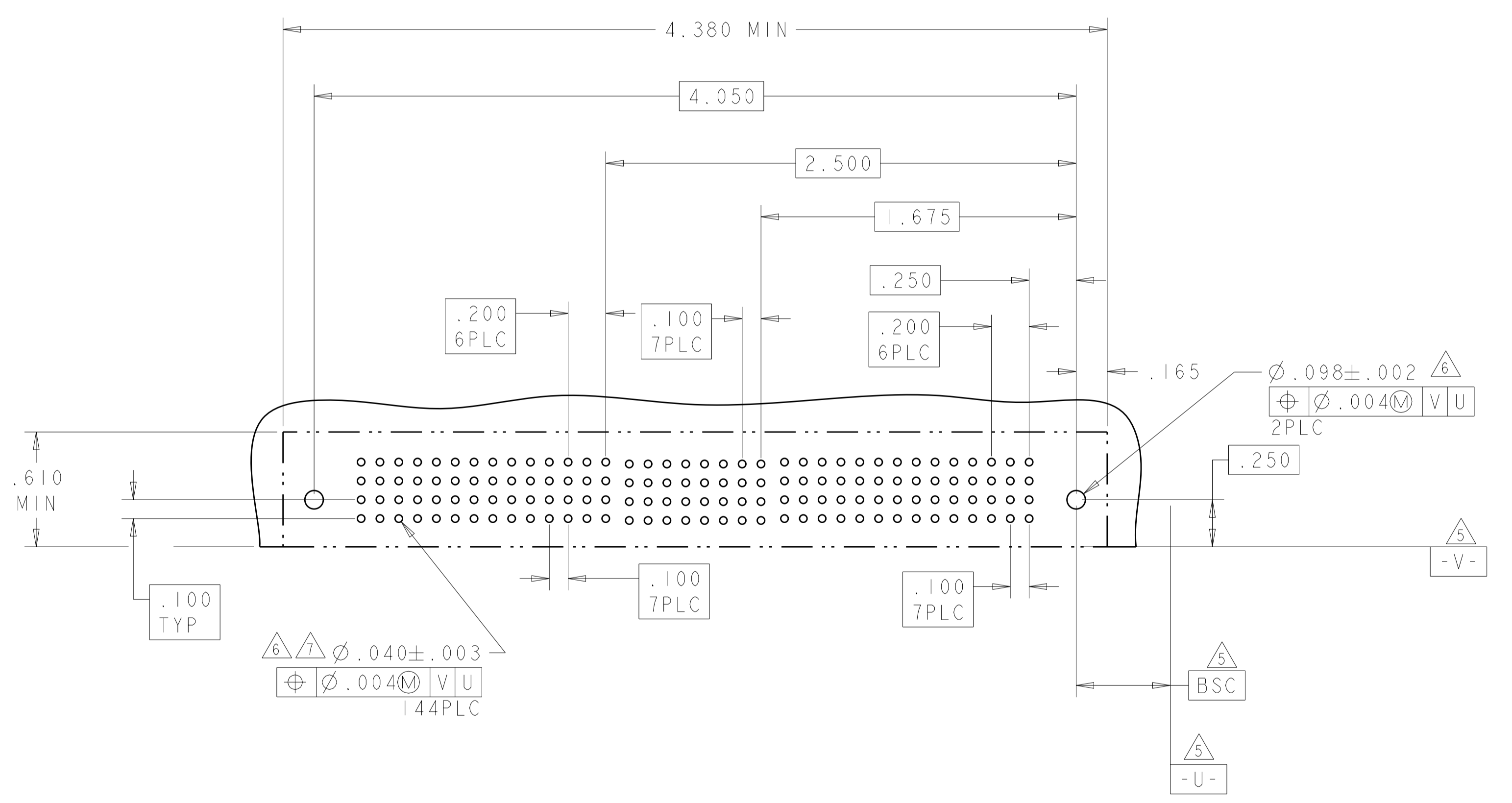
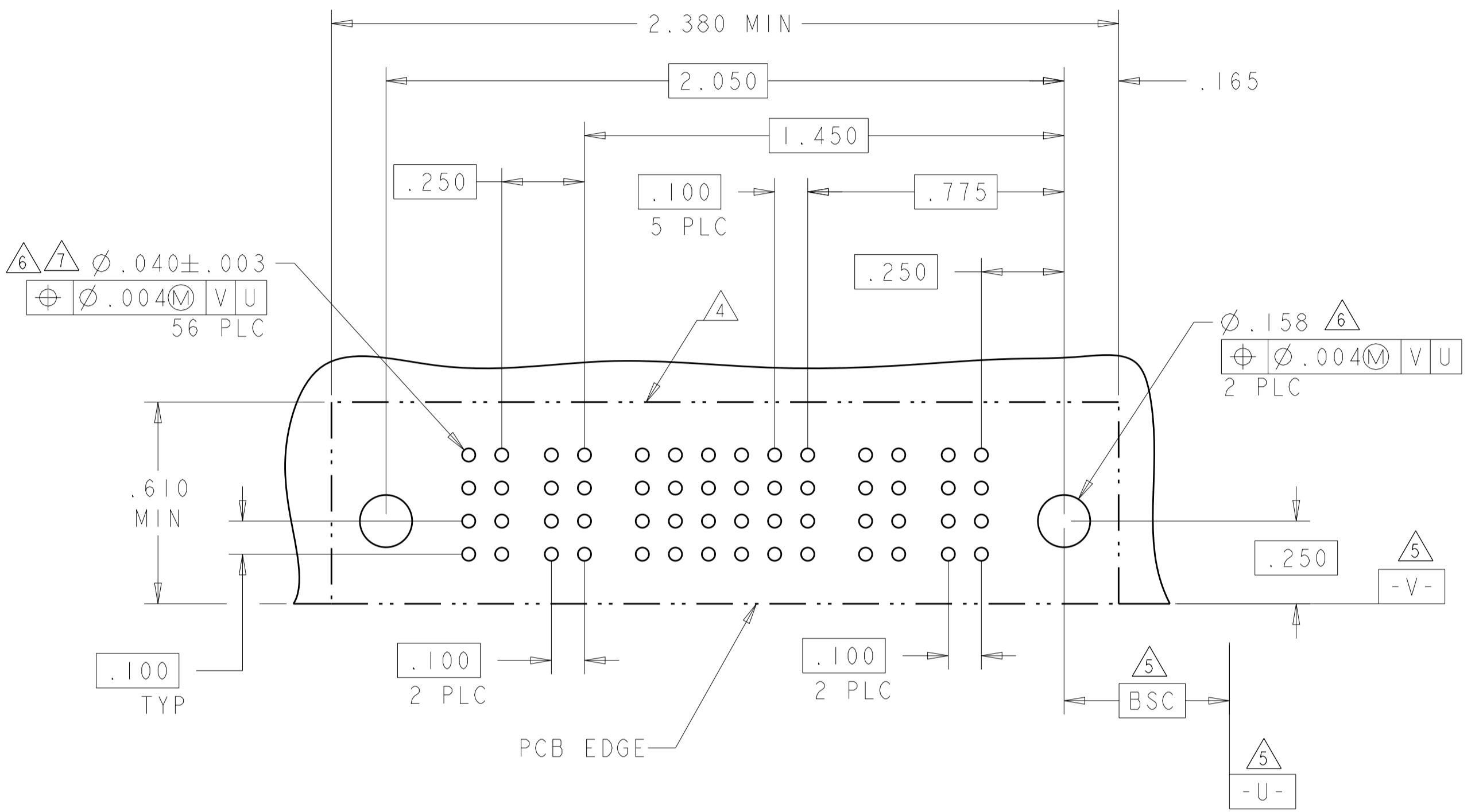
LOC	DIST	REV	DATE	BY	APPV
ES	00				

REVISIONS			
NO.	DESCRIPTION	DATE	BY
-	SEE SHEET 1	-	-

PART NUMBER	ROWS	POWER		SIGNAL						POWER	
		P4	P3	6	5	4	3	2	1	P2	P1
1-6450560-3	D C B A	RS	RS	D	D	D	D	D	D	RS	RS
				C	C	C	C	C	C		
				B	B	B	B	B	B		
2P + 24S + 2P											

PART NUMBER	ROWS	POWER							SIGNAL								POWER								
		P14	P13	P12	P11	P10	P9	P8	8	7	6	5	4	3	2	1	P7	P6	P5	P4	P3	P2	P1		
6450560-4	D C B A	RK	RK	RK	RK	RK	RK	RK	DD	DD	DD	DD	DD	DD	DD	RK	RK	RK	RK	RK	RK	RK	RK		
									CC	CC	CC	CC	CC	CC	CC									CC	
									BB	BB	BB	BB	BB	BB	BB									BB	
7HDP + 32S + 7HDP																									



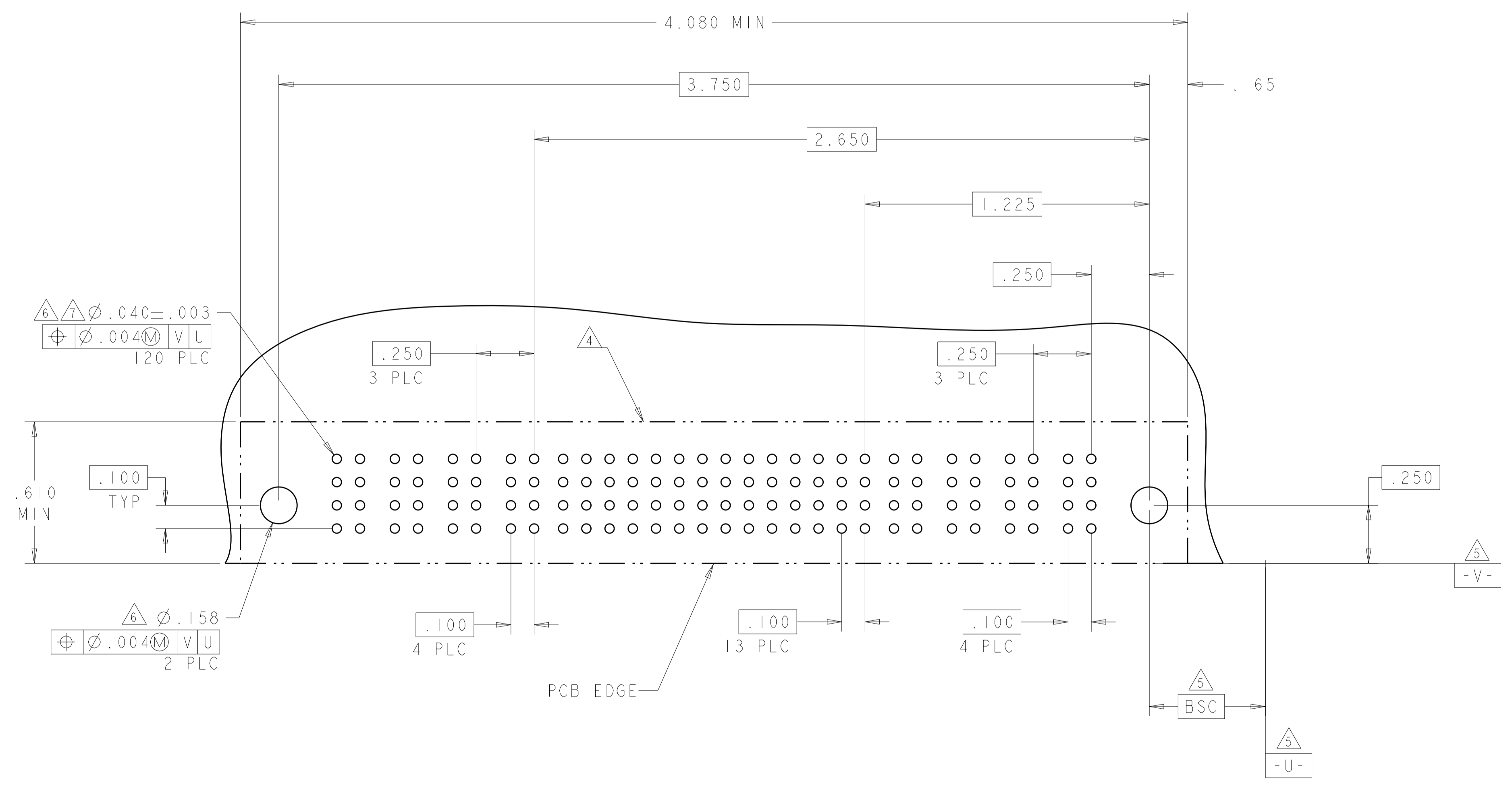
THIS DRAWING IS A CONTROLLED DOCUMENT.		OWN: R. GRZYBOWSKI 09MAR05	 TE Connectivity
DIMENSIONS: INCHES		CHK: M. PERCHERKE 09MAR05	
TOLERANCES UNLESS OTHERWISE SPECIFIED:		APVD: M. PERCHERKE	NAME: RIGHT ANGLE RECEPTACLE ASSEMBLY WITH GUIDES MULTI-BEAM XL
0 PLC ± .01		PRODUCT SPEC: 108-1973	SIZE: A1
1 PLC ± .01		APPLICATION SPEC: 114-13038	CAGE CODE: 6450560
2 PLC ± .005		WEIGHT: -	RESTRICTED TO: -
3 PLC ± .002		MATERIAL: -	SCALE: 4:1
4 PLC ± .0020		FINISH: -	SHEET 5 OF 7
ANGLES: -		Customer Drawing	REV: H3

LOC	DIST	REV	DATE	BY	APPV
ES	00				

REVISIONS					
REV	DATE	BY	APPV	DESCRIPTION	
-	-	-	-	SEE SHEET 1	-

PART NUMBER	ROWS	POWER				SIGNAL																POWER														
		P8	P7	P6	P5	14	13	12	11	10	9	8	7	6	5	4	3	2	1	P4	P3	P2	P1													
I-6450560-9	D	RS	RS	RS	RS	D	D	D	D	D	D	D	D	D	D	D	D	D	D	D	D	D	D	D	D	RS	RS	RS	RS							
	C					C	C	C	C	C	C	C	C	C	C	C	C	C	C	C	C	C	C	C	C					C	C	C	C	C		
	B					B	B	B	B	B	B	B	B	B	B	B	B	B	B	B	B	B	B	B	B					B	B	B	B	B	B	B
	A					A	A	A	A	A	A	A	A	A	A	A	A	A	A	A	A	A	A	A	A					A	A	A	A	A	A	A
4P + 56S + 4P																																				



THIS DRAWING IS A CONTROLLED DOCUMENT.

DW: B. GRZYBOWSKI 09MAR05  
 CHK: M. PERCHERKE 09MAR05  
 APVD: M. PERCHERKE

TE Connectivity

NAME: RIGHT ANGLE RECEPTACLE ASSEMBLY WITH GUIDES MULTI-BEAM XL

PRODUCT SPEC: 108-1973  
 APPLICATION SPEC: 114-13038

SIZE: A1 00779 C=6450560  
 CAGE CODE: 6450560

RESTRICTED TO: -

Customer Drawing

SCALE: 4:1 SHEET: 6 OF 7 REV: H3

4805 (3/11)

