



RLTMRL-655R 1-200 mW

ROUND SPOT BEAM PROFIL



Red Diode Laser

655 nm red diode laser featuring compact size, long lifetime, low cost and easy operatability, which is widely used for scientific experiments, measurements, optical sensors, communication, spectrum analysis, medical treatment, etc.



Specifications	
Wavelength	655 ±5 nm
Output Power	1 - 200 mW
Beam Spot	Round
Operating Mode	CW
Power Stability (rms, over 4 hours)	< 1%, < 3%, < 5%
Warm-up time	< 5 min
Beam Divergence (full angle)	< 8.0 mrad
Beam Diameter (at the aperature)	~ 2.0 mm
Beam Height (from base plate)	24.8 mm
Pointing stability after warm up	< 0.05
Operating Temperature	10 - 35 °C
Power Supply (90-260VAC)	PSU-FDA (included)
Expected Lifetime	10000 hours
Warranty period	1 year

Options	
PSU-LED (90-260VAC)	Power supply featuring adjustable ouptut power and current display
PSU-OEM (5VDC)	DC power supply for system integration
TTL modulation	1-30 kHz
Analog modulation	1-30kHz, 0-5V
Fiber coupling	Multi mode/single mode fiber, SMA-905/FC connector



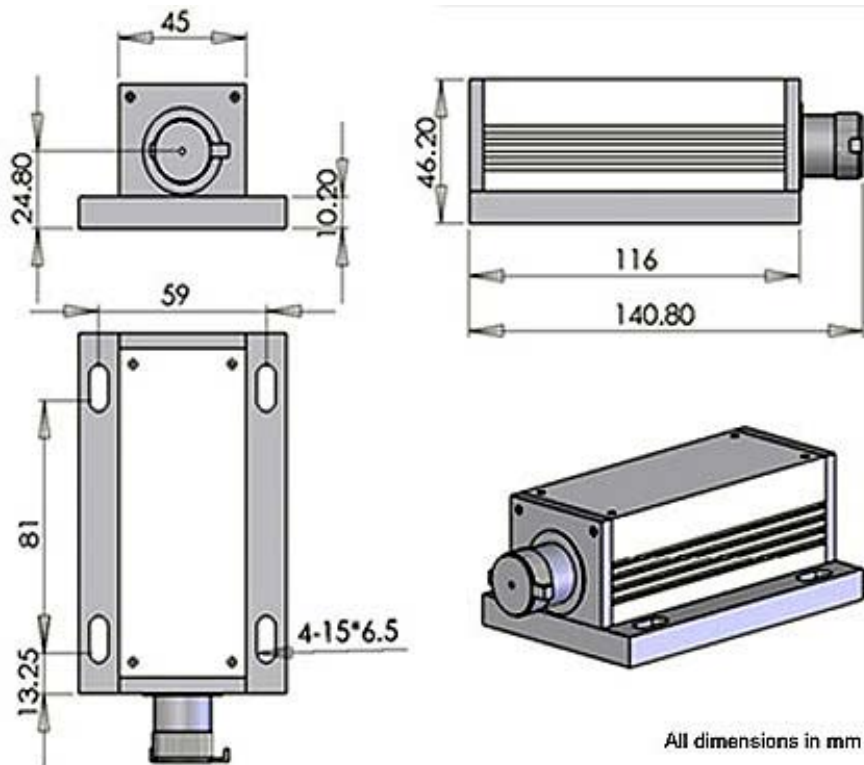
LASER RADIATION
AVOID DIRECT EXPOSURE TO BEAM
DO NOT STARE INTO BEAM
NEVER VIEW THROUGH OPTICAL INSTRUMENTS



RLTMRL laser head



141 x 73 x 46 mm³, 0.6 kg

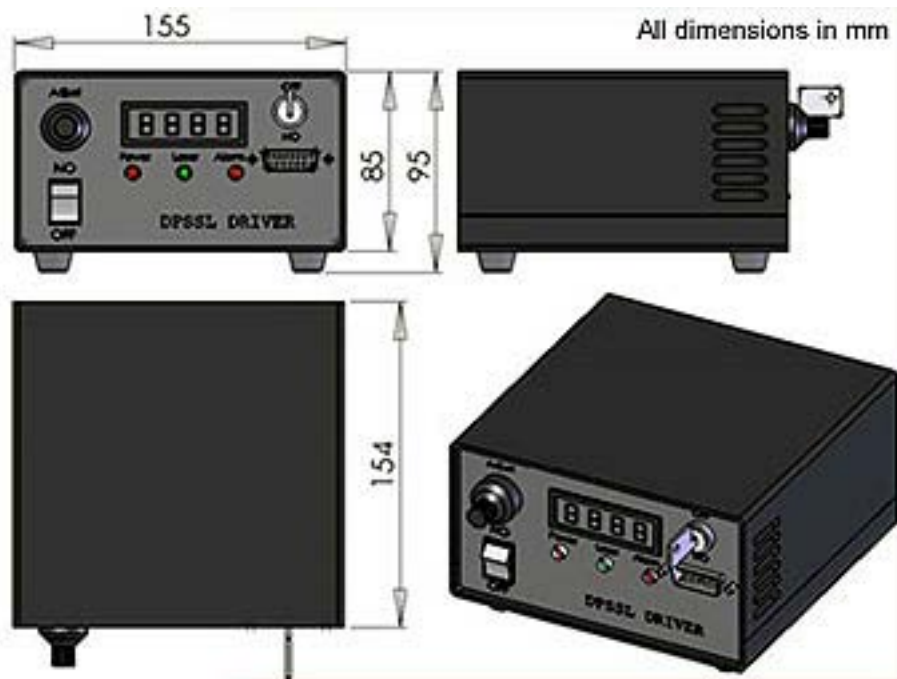




PSU-LED power supply



154 x 155 x 95 mm³, 1.5 kg

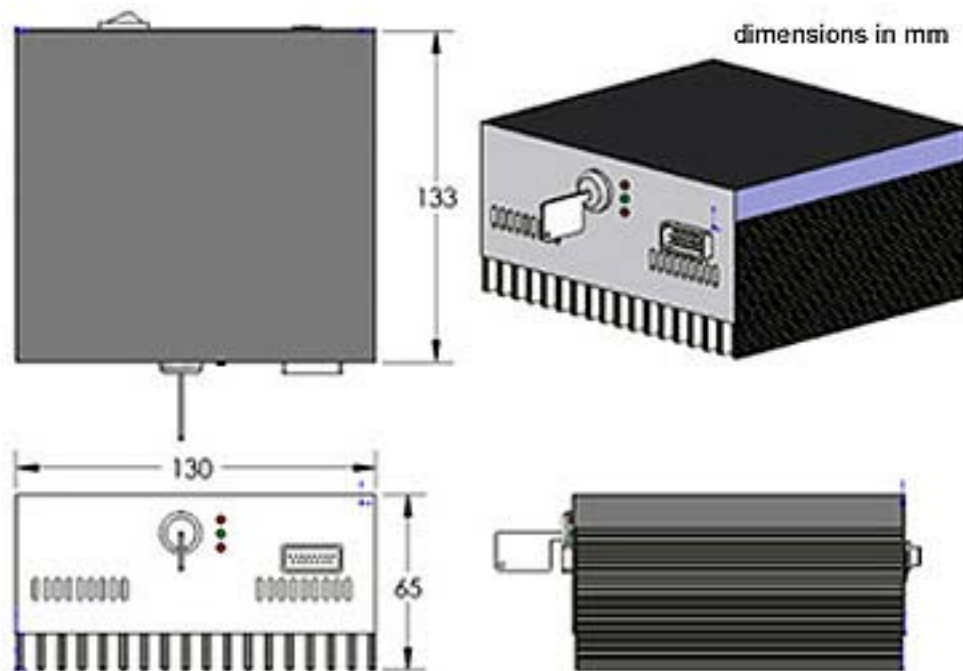




PSU-FDA power supply

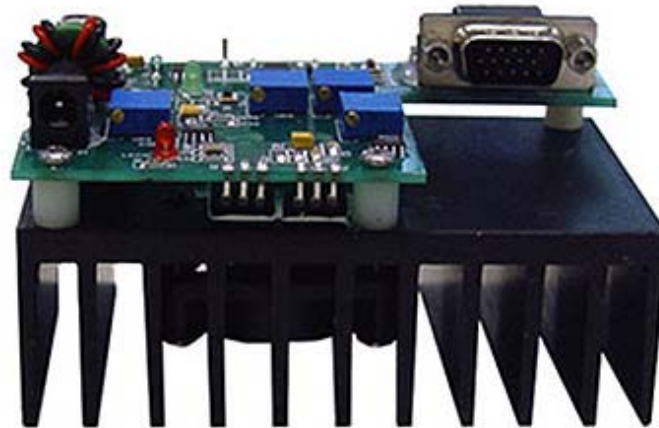


133 x 130 x 65 mm³, 1.2 kg





PSU-OEM power supply



100 x 60 x 56 mm³, 0.2 kg

