

THE DRAWINGS AND INFORMATION CONTAINED HEREIN ARE THE EXCLUSIVE PROPERTY OF ACTEL.  
 THE INFORMATION, DRAWINGS AND DESIGN CONCEPTS CONTAINED HEREIN ARE CONFIDENTIAL/PROPRIETARY, SHALL  
 BE MAINTAINED IN STRICT CONFIDENCE, AND SHALL NOT BE RELEASED TO ANY THIRD PARTY WITHOUT THE EXPRESS  
 WRITTEN PERMISSION OF ACTEL.

ECN NO.	REV.	DESCRIPTION OF CHANGE	EFFECTIVE DATE	ORIGINATOR
2007351	0	Initial	06/15/2007	Lijie Zhao

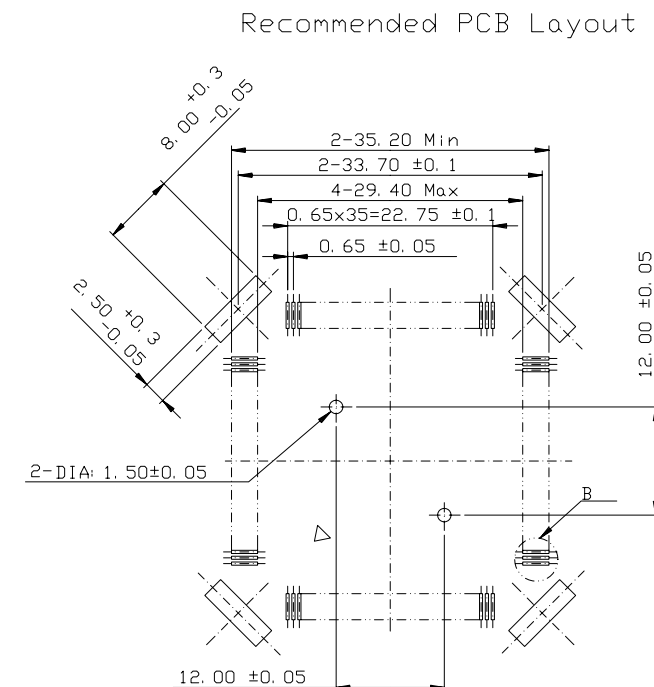
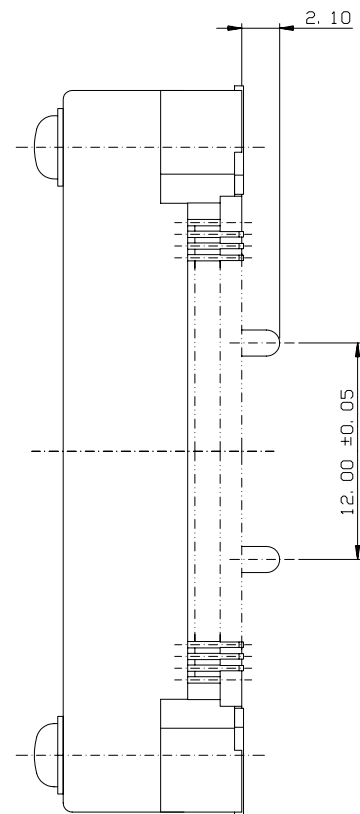
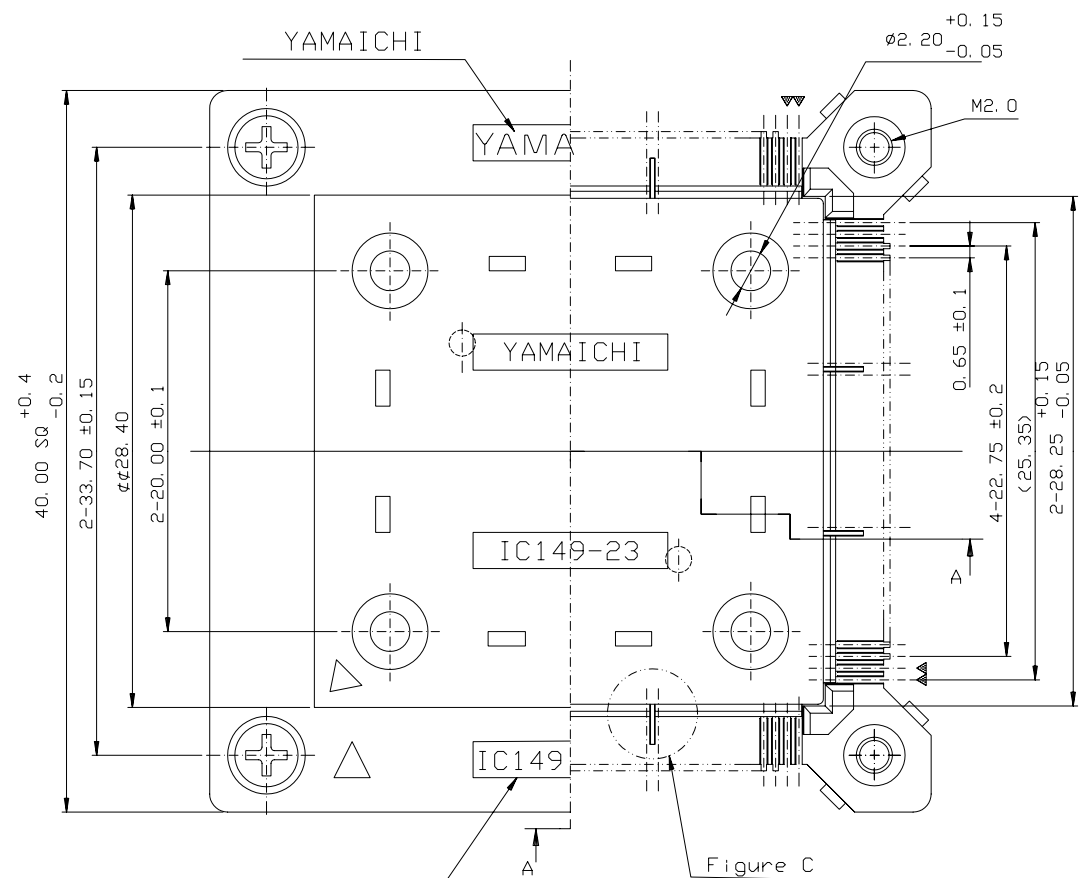
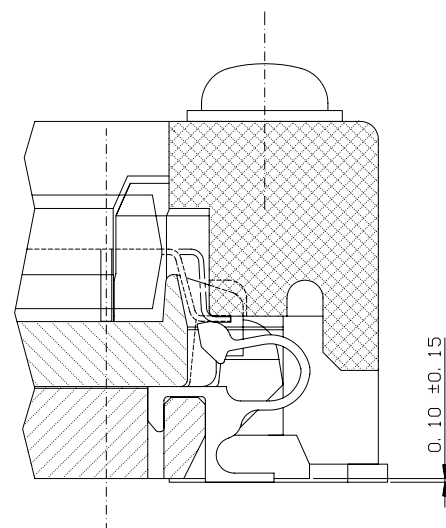
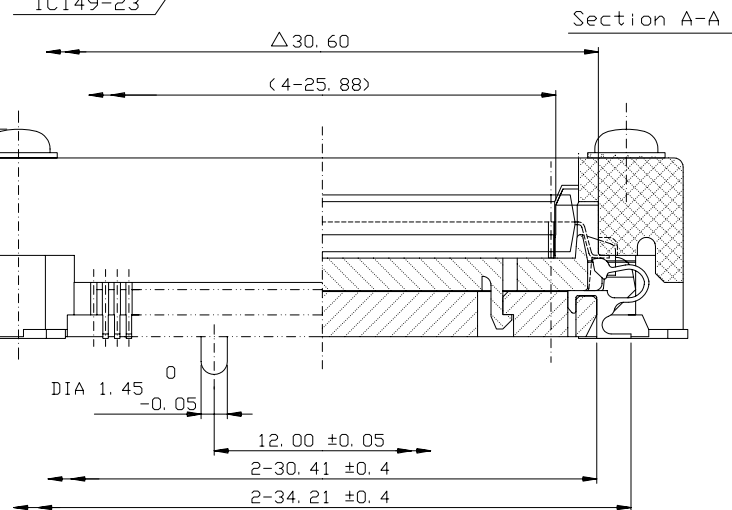
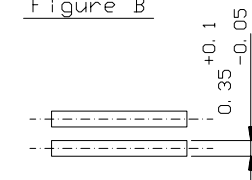


Figure B



Notes:

- Controlling dimensions are in millimeters.
- Yamaichi socket number IC149-144K-11453-1B

UNLESS OTHERWISE SPECIFIED DIMENSIONS ARE IN MILLIMETERS DECIMAL                      ANGULAR X.X ±0.10                      ±1° X.XX ±0.05 X.XXX ±0.03	PROJECTION			ACTEL CORPORATION 2061 Stierlin Court Mountain View, CA 94043-4655	
	MATERIAL SEE NOTES	APPROVALS	DATE	TITLE SY-PQG144, Yamaichi lead free prototype socket drawing for PQ144 and PQG144 packages	
FINISH SEE NOTES	DRAWN Lijie Zhao		06/15/2007	VENDOR NAME: Yamaichi	ACTEL DWG. NUMBER 1-07-11065
DO NOT SCALE DRAWING	CHECKED			VENDOR SID(PART) NUMBER IC149-144K-11453-1B	VENDOR DWG. NUMBER N/A
	ENG'R			Actel Part#: SY-PQG144	SCALE: NONE
	RELEASED				SHEET 1 OF 1