

IEC Appliance Inlet C18, Screw-on Mounting, Rear Side, PCB Terminal



C18



70 °C

**Description**

- Panel Mount:
Screw-on from rear side
- Appliance Inlet, Pin temperature 70 °C, Protection class II
- For PCB mounting

Approvals

- VDE License Number: 40011871
- UL License Number: E96454
- CSA License Number: 27324

References

[General Product Information](#)

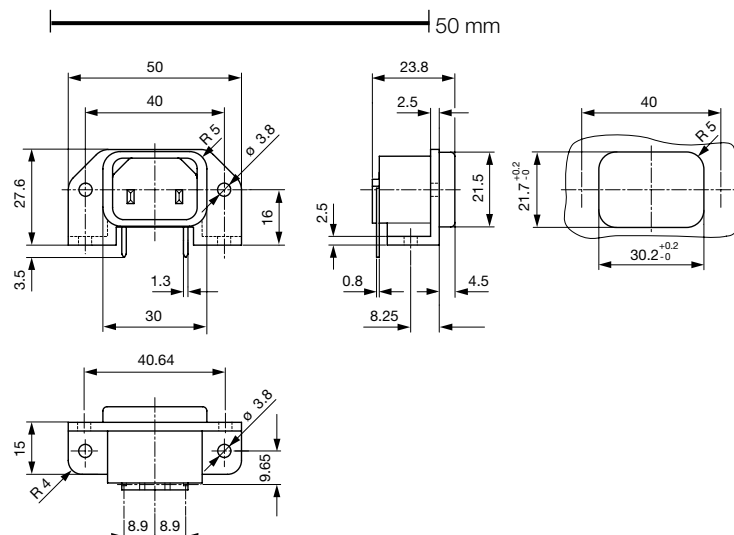
Weblinks

[Approvals](#), [RoHS](#), [CHINA-RoHS](#), [Mating Connectors](#), [Distributor-Stock-Check](#), [Accessories](#)

Technical Data

Ratings IEC	10 A / 250 VAC; 50 Hz
Ratings UL/CSA	15 A / 250 VAC; 60 Hz
Dielectric Strength	> 3 kVAC between L-N > 1.5 kVAC between L/N-PE (1 min/50 Hz)
Allowable Operation Temp.	-25 °C to 70 °C
Degree of Protection	from front side IP 20 acc. to IEC 60529
Protection Class	Suitable for appliances with protection class 2 acc. to IEC 61140
Terminal	For PCB mounting
Material: Housing	UL 94V-0

Appliance Inlet	C18 acc. to IEC/EN 60320-1 UL 498, CSA C22.2 no. 42 (for cold conditions) pin-temperature 70 °C, 10A, Protection Class 2
-----------------	---

Dimensions

Length of the terminal please find at the order code configuration table

Config. Code

Product Configurator


1005 - H - A B C 0 - D - E

The characters are placeholders for the correspondingly keys of selections from the key tables.

1005 - H - A B C 0 - D - E = Type

Type	Configuration key
protection class 2	B

1005 - H - A B C 0 - D - E = Terminals

Terminal L	Configuration key
PCB-terminal (standard) 	4

1005 - H - A B C 0 - D - E = Terminals

Terminal N	Configuration key
PCB-terminal (standard)	4

Symbols similar as in table A

1005 - H - A B C 0 - D - E = Terminals

Terminal Ground	Configuration key
without terminal	0

Symbols similar as in table A

1005 - H - A B C 0 - D - E = Color

Color	Configuration key
jet black; RAL9005	A
silver grey; RAL7001	B
pure white; RAL9010	D

standard color: black

1005 - H - A B C 0 - D - E = Style

Style	Configuration key
flange with through holes	2
flange with through holes (special type)	7

Variants

Config. Code	Description	Order Number
1005-X-4400-A-2	1005, IEC Appliance Inlet C18, 70°C, version: 2, L: PCB-terminal (standard), N: PCB-terminal (standard), ground: without terminal, color: jet black; RAL9005, design: flange with through holes	6162.0002

The listed variants should be available from stock Other versions on request www.schurter.com/contact

Packaging unit 50 Pcs

Mating Outlets/Connectors

Category / Description

Connector Overview complete



IEC Connector C15, Rewireable, Straight	0101
IEC Connector C15A, Rewireable, Straight	0102
IEC Connector C15A, Rewireable, Straight	0102-G
IEC Connector C15A, Rewireable, Angled	0112
IEC Connector C13, Rewireable, Angled	4012

Connector further types to 1005

...

Power Cord Overview complete



Power Cord with IEC Connector C17, Angled	0301
Power Cord with IEC Connector C13, Angled	0311
Power Cord with IEC Connector C13, Angled	3011
Power Cord with IEC Connector C13, Angled	3012
Power Cord with IEC Connector C13, Angled	3013

Power Cord further types to 1005

...