

Features

LED DRIVER

- 25W Class II AC-DC LED Power Supply
- 500mA, 700mA, 1050mA or 1400mA Output
- Active Power Factor Correction >0.90
- Efficiency to 85%
- EN and UL

Selection Guide

Part Number	Rated Power (W)	Output Current (mA)	Output Voltage (VDC)	Efficiency (typ.)
RACD25-500P	25	500	42 - 52	82%
RACD25-700P	25	700	21 - 36	85%
RACD25-1050P	25	1050	16 - 24	84%
RACD25-1400P	25	1400	12-18	83%

Specifications (measured at 230VAC and 25°C ambient temperature)

Input Voltage Range	90-295 VAC or 127-417 VDC	
Input Frequency Range	47-63Hz	
Power Factor	Full Load, 230VAC	>0.90
	Full Load, 115VAC	>0.98
THD	Full Load, 115VAC/230VAC	12% max.
	Full Load, 277VAC	14% max.
Current Accuracy	700mA Version	±7%
	others	±8%
AC Input Current	115VAC	0.4A
	230VAC	0.2A
Inrush Current (<2ms)	264VAC	Cold Start 20A
Isolation Voltage	3.75kVAC	
Short Circuit Protection	Continuous	
Over Voltage Protection	110% - 150%	
Over Temperature Protection	Rth Type	Internal Thermistor Auto-Recovery Mode
Vibration	10-500Hz	2G for 60 min. each along X, Y, Z axes
Storage Humidity	10% - 95% RH	
Operating Humidity	20% - 95% RH Non-Condensing	
Weight	220g	
Dimension	174.5 x 30.5 x 25mm	
Operating Temperature	-20°C to +50°C	
Storage Temperature	-40°C to +80°C	
Ripple & Noise	3V max.	
IP Rating	IP67	
Isolation Resistance	100MΩ / 500VDC at 25°C	
Safety Standards	EN61347-1 EN61347-2-13 UL8750 EN61000-3-2 Class C EN61000-4-2,3,4,5,6,11 EN61547 EN55015 FCC15	
MTBF (+25°C)	using MIL-HDBK 217F	200 x 10 ³ hours
Desing Lifetime	70 x 10 ³ hours	

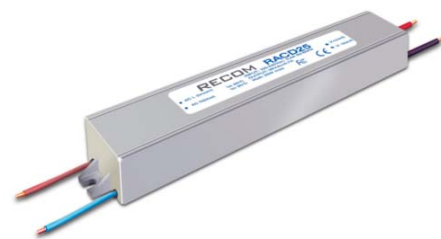
The use of a circuit breaker with C-characteristic is recommended.

LIGHTLINE

AC/DC-Converter
with 5 year Warranty

RECOM

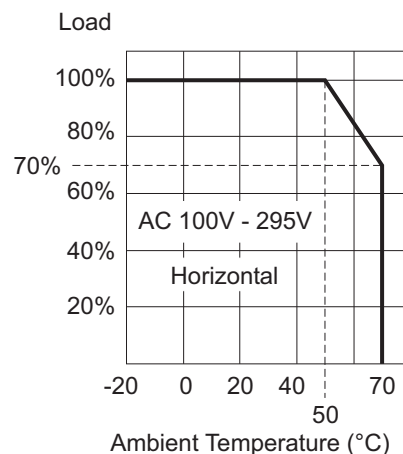
25 Watt PFC Single Output



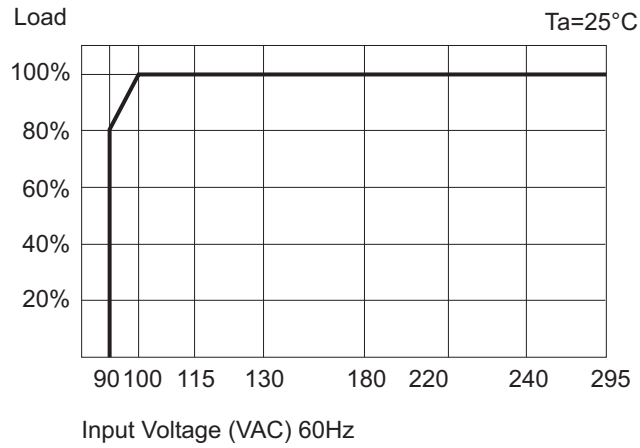
UL 8750 Certified
EN 61347 Certified

RACD25

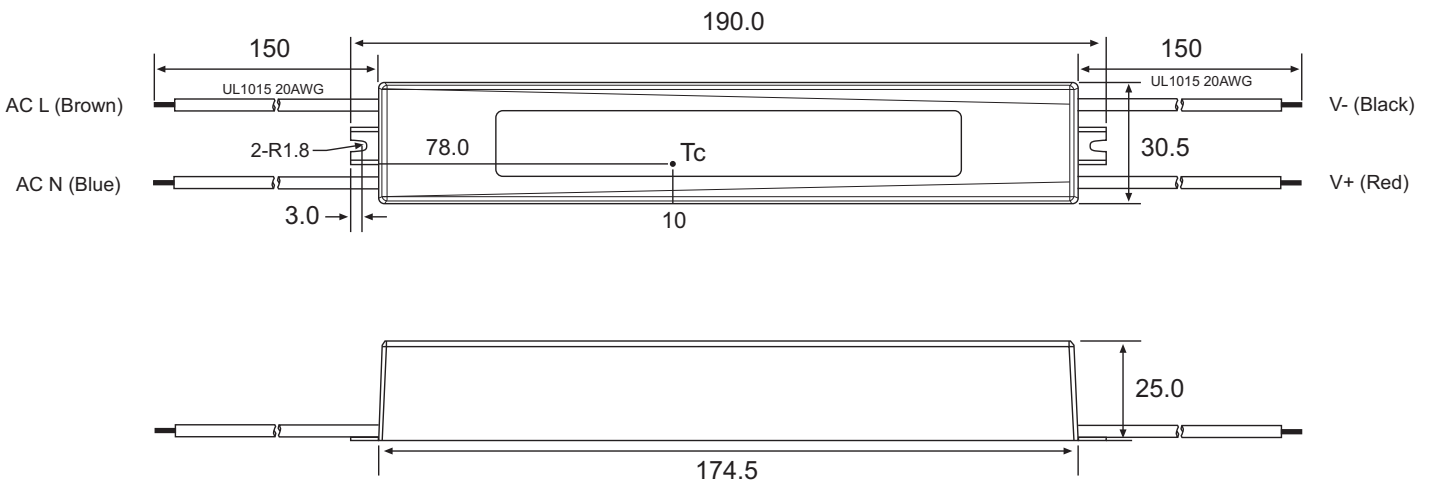
Derating-Graph (Ambient Temperature)



Typical Characteristics



Package Style & Pinning



RACD25