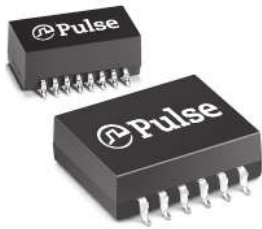


# 10/100BASE-TX Single-Port Transformer Modules

Military / Aerospace Grade



- Compliant with IEEE 802.3u & ANSI X3.263 standards
- 350µH OCL with 8mA bias
- Operating and storage temperature:
  - 100B-1001F & 100B-1003: -40°C to +85°C
  - 100B-1001FX & 100B-1003X: -55°C to +125°C
- IC grade transfer-molded package withstands 235°C peak temperature profile.
- RoHS version withstands 245°C
- AS9100C Certified (Based on and including ISO 9001:2008)
- Maximum Isolation Voltage: 2500 VDC / 1800VAC

## Electrical Specifications @ 25°C

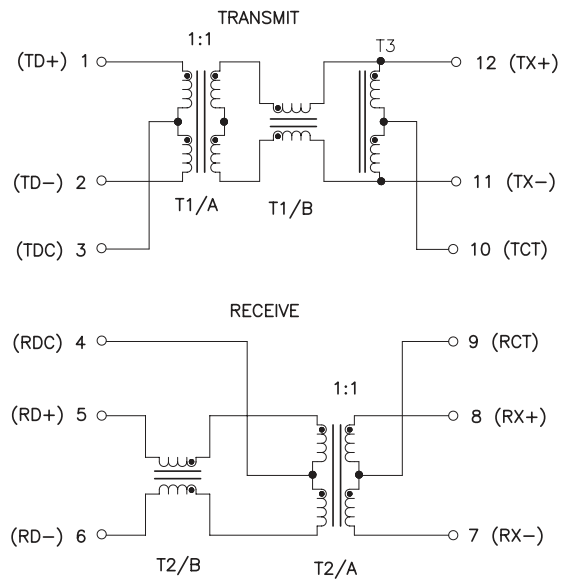
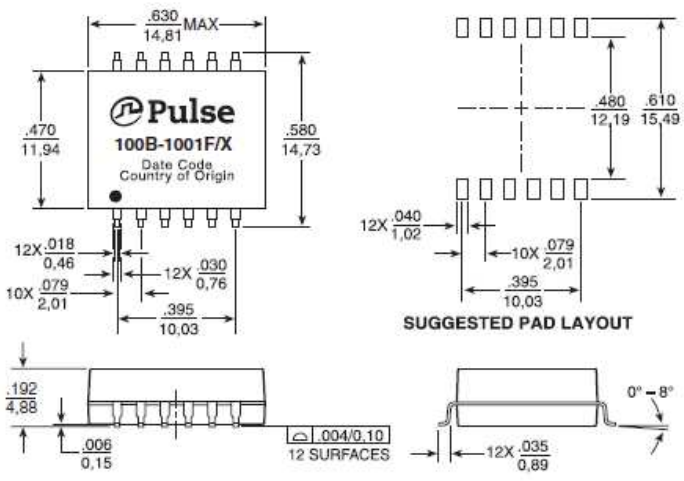
Part Number <sup>1</sup>	Insertion Loss (dB MIN)	Return Loss (dB MAX)				Crosstalk (dB MAX)				DM to CM Rejection Ratio (dB MAX)		
	0.1-100 MHz	2-30 MHz	50 MHz	60 MHz	80 MHz	16 MHz	30 MHz	60 MHz	80 MHz	0.1-30 MHz	30-60 MHz	60-100 MHz
100B-1001	-1.00	-18	-14	-12	-12	-48	-44	-40	-38	TX: -50 RX: -50	TX: -40 RX: -40	TX: -30 RX: -30
100B-1001X	-1.10	-18	-14	-12	-12	-48	-44	-40	-38	TX: -45 RX: -45	TX: -40 RX: -40	TX: -38 RX: -33
100B-1001F	-1.00	-18	-14	-12	-12	-48	-44	-40	-38	TX: -50 RX: -50	TX: -40 RX: -40	TX: -30 RX: -30
100B-1001FX	-1.10	-18	-14	-12	-10	-48	-44	-40	-38	TX: -45 RX: -45	TX: -40 RX: -40	TX: -38 RX: -33
100B-1003	-1.00	-20	-14	-12	-12	-48	-45	-40	-38	TX: -50 RX: -50	TX: -40 RX: -40	TX: -35 RX: -35
100B-1003X	-1.00	-20	-14	-12	-12	-48	-45	-40	-38	TX: -45 RX: -35	TX: -40 RX: -35	TX: -35 RX: -35
100B-1003F	-1.00	-20	-14	-12	-12	-48	-45	-40	-38	TX: -50 RX: -50	TX: -40 RX: -40	TX: -35 RX: -35
100B-1003FX	-1.00	-20	-14	-12	-12	-48	-45	-40	-38	TX: -45 RX: -35	TX: -40 RX: -35	TX: -35 RX: -35

- Notes:
- Standard Part have a Sn63/Pb37 Lead Finish (MSL:3)
  - Add suffix "NL" for RoHS compliant version; i.e. 100B-1001F becomes 100B-1001FNL. NL Parts have 100% Sn Lead Finish (MSL: 4)
  - For Tape&Reel Packaging, add "T" suffix at the end of the part number; i.e. 100B-1003FXNLT
  - Maximum Hi-Pot 1800VAC/2500VDC for 6 Sec.

### Mechanical

### Schematic

#### 100B-1001F/X



Weight ..... 1.7 grams  
 Tape and Reel ..... 350/reel  
 Tray ..... 30/tray

Dimensions: Inches  
 mm  
 Unless otherwise specified, all tolerances are ± .010  
 0,25

# 10/100BASE-TX Single-Port Transformer Modules

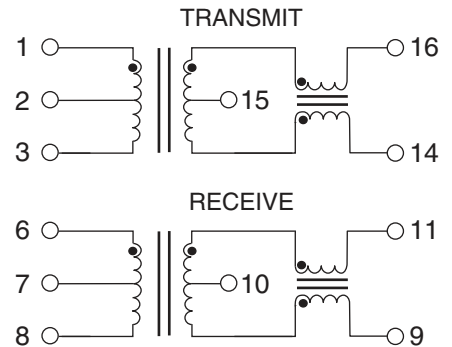
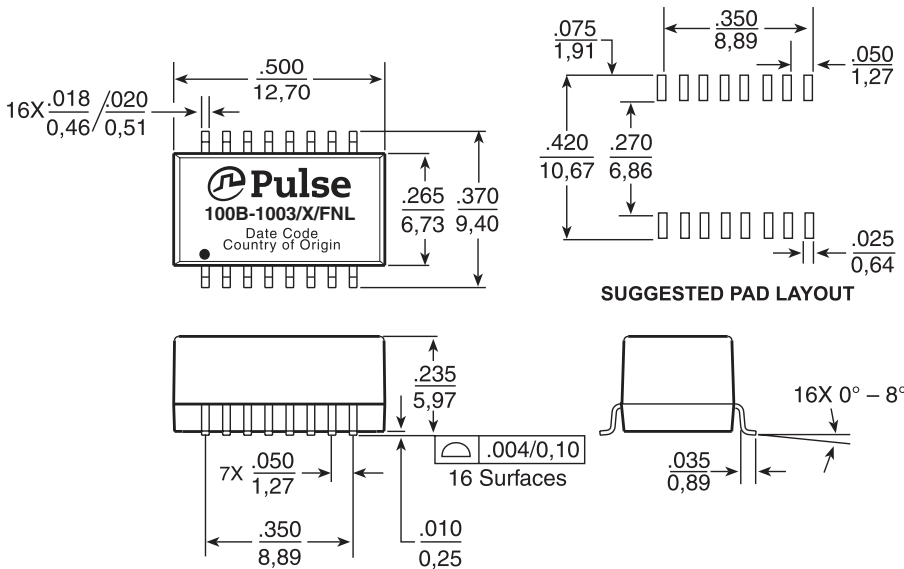
Military / Aerospace Grade



## Mechanical

## Schematic

100B-1003/X/FNL



Weight ..... 1.16 grams  
 Tape and Reel ..... .600/reel  
 Dimensions: Inches  
 mm  
 Unless otherwise specified, all tolerances are  $\pm .010$   
 0,25

## For More Information

**PulseNorthAmerica Headquarters**  
 Two Pearl Buck Court  
 Bristol, PA 19007  
 U.S.A.

**Pulse Europe**  
 Einsteinstrasse 1  
 D-71083 Herrenberg  
 Germany

**PulseChinaHeadquarters**  
 B402 Shenzhen Academy of  
 Aerospace Technology Bldg.  
 10th Kejinan Road  
 High-Tech Zone  
 Nanshan District  
 Shenzhen, P.R. China 518057

**Pulse North China**  
 Room 2704/2705  
 Super Ocean Finance Ctr.  
 2067 Yan An Road West  
 Shanghai 200336  
 China

**Pulse South Asia**  
 135 Joo Seng Road  
 #03-02  
 PM Industrial Bldg.  
 Singapore 368363

**Pulse North Asia**  
 3F, No. 198  
 Zhongyuan Road  
 Zhongli City  
 Taoyuan County 320  
 Taiwan R. O. C.  
 Tel: 886 3 4356768  
 Fax: 886 3 4356823 (Pulse)  
 Fax: 886 3 4356820 (FRE)

Tel: 215 781 6400  
 Fax: 215 781 6403

Tel: 49 7032 7806 0  
 Fax: 49 7032 7806 135

Tel: 86 755 33966678  
 Fax: 86 755 33966700

Tel: 86 21 62787060  
 Fax: 86 21 62786973

Tel: 65 6287 8998  
 Fax: 65 6287 8998

Performance warranty of products offered on this data sheet is limited to the parameters specified. Data is subject to change without notice. Other brand and product names mentioned herein may be trademarks or registered trademarks of their respective owners. © Copyright, 2014. Pulse Electronics, Inc. All rights reserved.