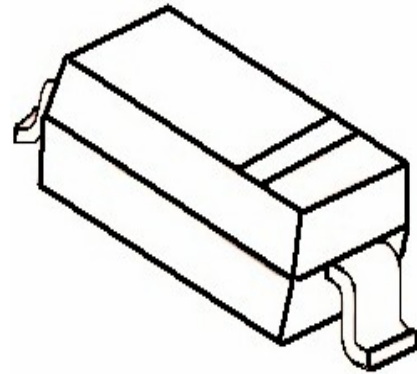


»Features

- Fast Switching Device (TRR <4.0 nS)
- Power Dissipation of 200mW
- High Stability and High Reliability
- Low reverse leakage

»General Description

- SOD-323 Small Outline Plastic Package
- Polarity: Color band denotes cathode end
- Mounting Position: Any



SOD-323

»Absolute Maximum Ratings @ $T_A=25^{\circ}\text{C}$ unless otherwise noted

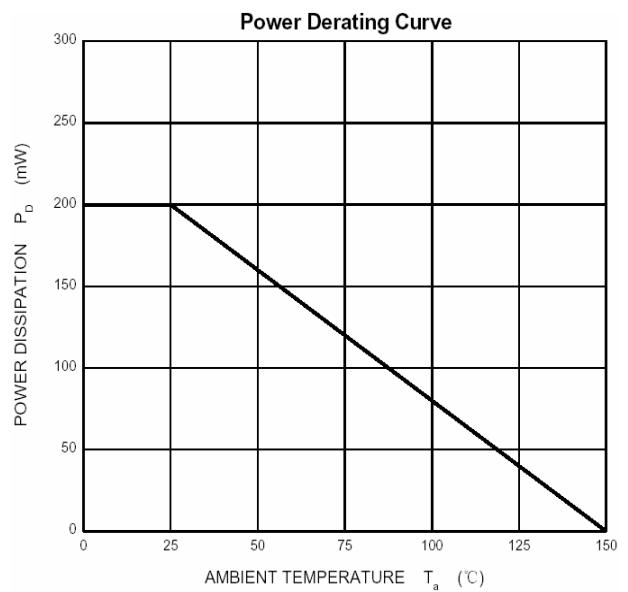
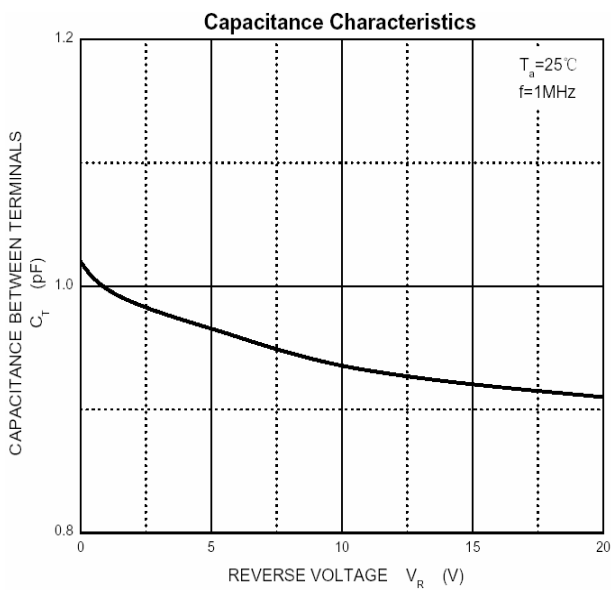
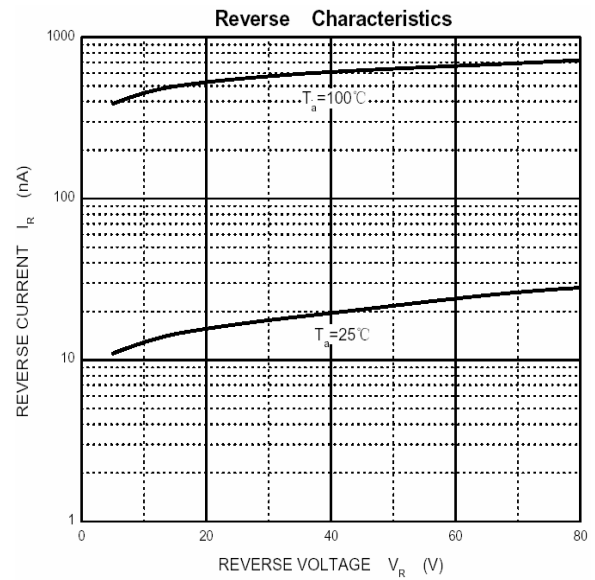
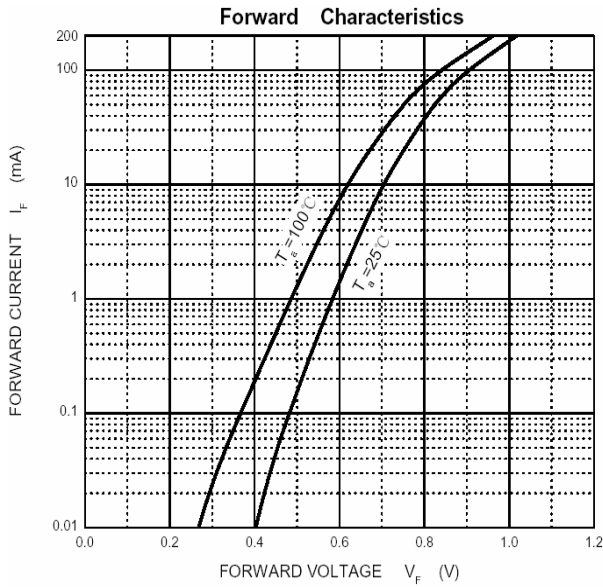
Parameters	Symbol	Value	Unit
Reverse Voltage	V_R	71	V
Peak Reverse Voltage	V_{RM}	100	V
Power Dissipation	P_d	200	mW
Operating junction temperature	T_j	125	$^{\circ}\text{C}$
Storage temperature range	T_s	-55-+150	$^{\circ}\text{C}$
Working Inverse Voltage	W_{IV}	75	V
Average Rectified Current	I_o	150	mA
Non-repetitive Peak Forward Current	I_{FM}	300	mA
Peak Forward Surge Current @ $t_p=1\mu\text{s}$; $T_A=25^{\circ}\text{C}$	I_{FSM}	2.0	A

Valid provided that electrodes are kept at ambient temperature.

»Electrical Characteristics @ $T_A=25^{\circ}\text{C}$ unless otherwise noted

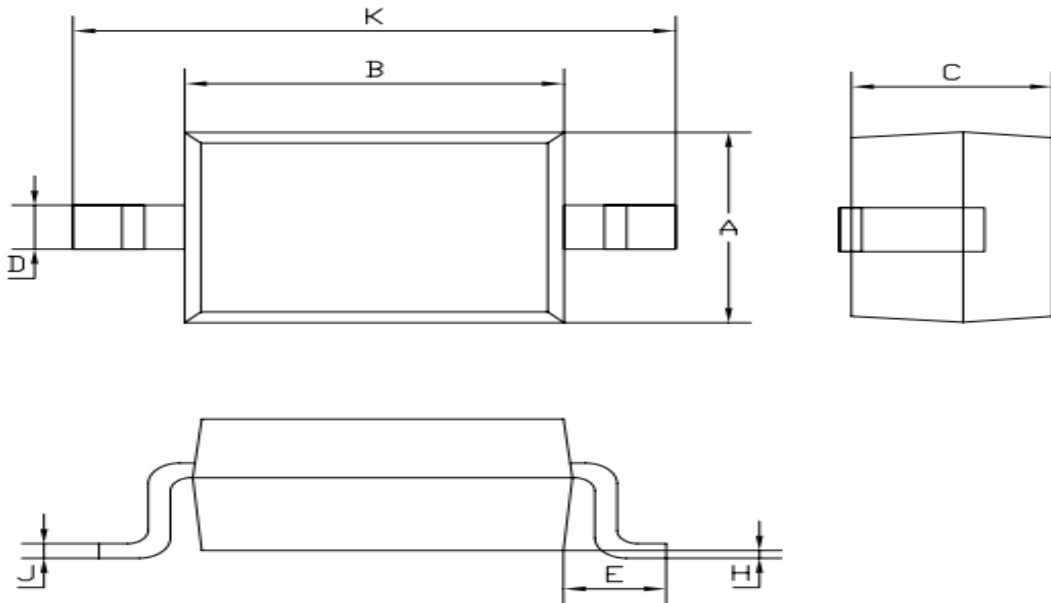
Symbols	Parameter	Test Condition	Limits		Unit
			Min	Max	
BV	Breakdown Voltage	IR=100uA	100		V
	Breakdown Voltage	IR=5uA	75		
IR	Reverse Leakage Current	VR=20V	---	25	nA
	Reverse Leakage Current	VR=75	---	1	uA
VF	Forward Voltage	IF=1.0mA	---	0.715	V
	Forward Voltage	IF=10mA	---	0.855	
		IF=50mA	---	1.00	
		IF=150mA	---	1.25	
TRR	Reverse Recovery Time	IF= IR=10mA	---	4	nS
	Reverse Recovery Time	RL=100Ω			
		IRR=0.1 X IR			
CT	Capacitance	VR=0V, f=1MHZ	---	2	pF
	Capacitance				

»Typical Performance Characteristics (T_J = 25 °C, unless otherwise noted)



»Package Information

SOD-323



SOD-323		
Dim	Min	Max
A	1.275	1.325
B	1.675	1.725
C	0.9 Typical	
D	0.25	0.35
E	0.27	0.37
H	0.02	0.1
J	0.1 Typical	
K	2.6	2.7

»Ordering information

Order code	Package	Marking	Base qty	Delivery mode
1N4148WS	SOD-323	T4	3K	Tape and reel