

PRECISION RESISTOR MODULE

Functions & Features

- Attached to the base socket of M-UNIT, H-UNIT and other plug-in type signal conditioners in order that the units are able to accept a DC current input

MODEL: REM-[1]

ORDERING INFORMATION

- Code number: REM-[1]
- Specify a code from below for [1].
(e.g. REM-250)

[1]RESISTANCE VALUE

- 10: 10 Ω
 50: 50 Ω
 62.5: 62.5 Ω
 100: 100 Ω
 250: 250 Ω
 500: 500 Ω
 1k: 1 kΩ

GENERAL SPECIFICATIONS

Material

- Resistor:** Manganine (winding)
Enclosure: Acmerite #100 (black)
Molding: epoxy resin (black)
Leg: nickel-plated phosphor bronze

CURRENT-VOLTAGE CONVERSION TABLE

CURRENT RESISTANCE	0 – 1mA DC	0 – 10mA DC	0 – 16mA DC	0 – 20mA DC
10Ω	0 – 10mV DC	0 – 100mV DC	0 – 160mV DC	0 – 200mV DC
50Ω				0 – 1V DC
62.5Ω			0 – 1V DC	
100Ω	0 – 100mV DC	0 – 1V DC		
250Ω				0 – 5V DC
500Ω		0 – 5V DC		0 – 10V DC
1kΩ	0 – 1V DC			

CURRENT RESISTANCE	2 – 10mA DC	4 – 20mA DC	10 – 50mA DC
10Ω	20 – 100mV DC	40 – 200mV DC	100 – 500mV DC
50Ω	100 – 500mV DC	0.2 – 1V DC	0.5 – 2.5V DC
62.5Ω			
100Ω		0.4 – 2V DC	1 – 5V DC
250Ω		1 – 5V DC	
500Ω	1 – 5V DC		
1kΩ			

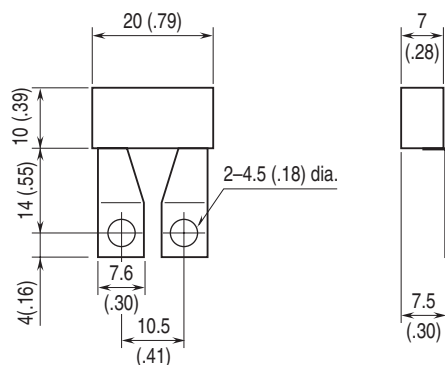
INSTALLATION

- Operating temperature:** -10 to +60°C (14 to 140°F)
Operating humidity: 30 to 90 %RH (non-condensing)
Weight: Approx. 5 g (0.18 oz)

PERFORMANCE

- Accuracy:** ±0.1 %
Temp. coefficient: ±30 ppm/°C(±16.7 ppm/°F)
Rated wattage: 0.5 W at 60°C or 140°F

DIMENSIONS unit: mm (inch)



Specifications are subject to change without notice.