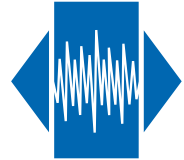


SMX-7S

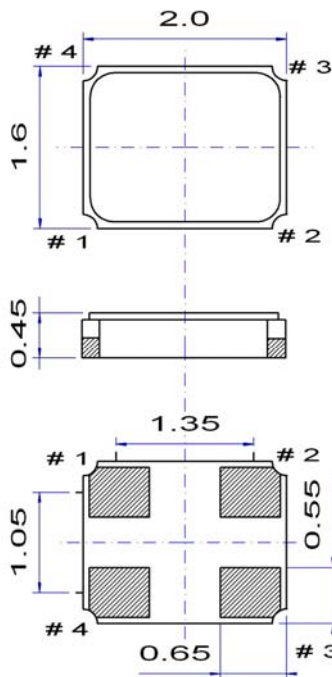


Miniature SMD Crystal

Features

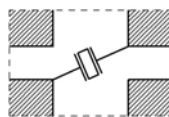
- Applications: telecommunications, automotive, medical
- Super small package (2.0 x 1.6 x 0.45 mm)
- Wide frequency range: 19.2 to 66 MHz
- High shock and vibrational resistivity
- Reflow soldering @ 260 °C

Parameter	Specification	
Frequency range	19.2 ~ 66 MHz	fundamental
Mode of oscillation	AT-cut	
Standard frequencies	20.0, 24.0, 24.576, 26.0, 27.0, 32.0, 44.0, 48.0 & 66.0 MHz	
Frequency tolerance	±10 ~ ±50 ppm	@ +25 °C
Frequency stability	±10 ~ ±50 ppm	vs. operating temperature range
Aging	±2 ppm	1 st year
Load capacitance	series or parallel resonance (CL = 8 ~ 32 pF)	
Equivalent series resistance (ESR)	< 35 Ω	@ 26 MHz
	< 20 Ω	@ 48 MHz
Drive level	10 ~ 100 μW	
Operating temperature range	-20 ~ +70 °C	commercial application
	-40 ~ +85 °C	industrial application
	-40 ~ +125 °C	automotive & avionic application
Storage temperature range	-55 ~ +125 °C	
Packaging unit	tape & reel	1'000 or 3'000 pieces
Customer specifications on request		

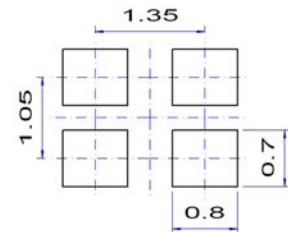


Pin function

- # 1 crystal connection
- # 2 GND
- # 3 crystal connection
- # 4 GND

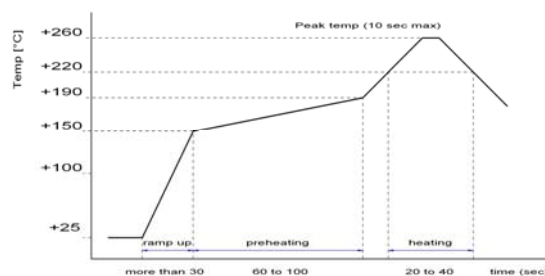


Example for soldering pattern



Do not design any conductive path between the pattern

Example for IR reflow soldering temperature



2002/95/EC RoHS compliant