

Model name
VS 100B-24
 Series Name Output Wattage Rated Output Voltage

- Features**
- CE marking (Low Voltage Directive)
 - Input: 100VAC(85~132VAC)
 - Single Output:10W,15W,30W,50W,75W,100W,150W
 - Low Cost
 - PCB Type Power Supply
 - Applicable to various use; Game, Printer & Communication Terminal Units
 - 2 year warranty

Specifications

1. Input voltage range	85 ~ 132VAC (47 ~ 440Hz), 110 ~ 175VDC
2. Output voltage range	± 10%
3. Cooling	Convection cooling
4. Operating ambient temperature (Standard mounting)	VS10C~VS100B / -10°C~+60°C(-10°C~+50°C:100%, +60°C:70%) VS50B-24 / -10~+40°C:100%, +50°C:88%,+60°C:62% VS150B / Convection cooling -10°C~+25°C:100%,+35°C:90%,+50°C:80%,+60°C:60% Forced air cooling -10°C~+50°C:100%,+60°C:70% (0.7m/s)
5. Withstand voltage	Input-output: 2kVAC(20mA), input-FG: 2kVAC(20mA), output-FG: 500VAC(100mA) for 1 min.
6. Safety standard	Approved by UL1950 , CSA950(C-UL) , EN60950(TUV)
7. CE marking	Conforms to Low Voltage Directive
8. EMI	Meets to FCC-B, VCCI-B
9. Functions	Over voltage protection, Over current protection

Product lineup

Model name	Nominal output voltage	Max. output current	Max. output power	UL	CSA	EN	
VS10C	VS10C-3	3.3V	2.0A	6.6W	○	○	○
	VS10C-5	5V	2.0A	10.0W	○	○	○
	VS10C-12	12V	0.9A	10.8W	○	○	○
	VS10C-15	15V	0.7A	10.5W	○	○	○
	VS10C-24	24V	0.5A	12.0W	○	○	○
VS15C	VS15C-3	3.3V	3.0A	9.9W	○	○	○
	VS15C-5	5V	3.0A	15.0W	○	○	○
	VS15C-12	12V	1.3A	15.6W	○	○	○
	VS15C-15	15V	1.0A	15.0W	○	○	○
	VS15C-24	24V	0.7A	16.8W	○	○	○
VS30C	VS30C-3	3.3V	6.0A	19.8W	○	○	○
	VS30C-5	5V	6.0A	30.0W	○	○	○
	VS30C-12	12V	2.5A	30.0W	○	○	○
	VS30C-15	15V	2.0A	30.0W	○	○	○
	VS30C-24	24V	1.3A	31.2W	○	○	○

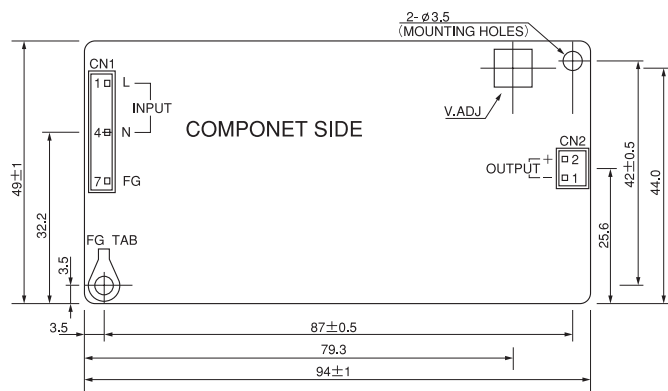
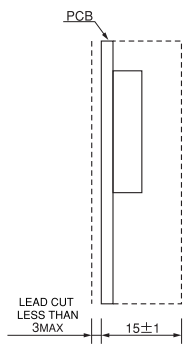
Model name	Nominal output voltage	Max. output current	Max. peak output current	Note 1		UL	CSA	EN	
				Max. output power	Max. peak output power				
VS50B	VS50B-3	3.3V	10.0A	12.0A	33.0W	39.6W	○	○	○
	VS50B-5	5V	10.0A	12.0A	50.0W	60.0W	○	○	○
	VS50B-12	12V	4.3A	5.16A	51.6W	61.92W	○	○	○
	VS50B-15	15V	3.5A	4.2A	52.5W	63.0W	○	○	○
	VS50B-24	24V	2.5A	3.0A	60.0W	72.0W	○	○	○
VS75B	VS75B-3	3.3V	15.0A	18.0A	49.5W	59.4W	○	○	○
	VS75B-5	5V	15.0A	18.0A	75.0W	90.0W	○	○	○
	VS75B-12	12V	6.3A	7.56A	75.6W	90.72W	○	○	○
	VS75B-15	15V	5.0A	6.0A	75.0W	90.0W	○	○	○
	VS75B-24	24V	3.2A	3.84A	76.8W	92.16W	○	○	○
VS100B	VS100B-3	3.3V	20.0A	24.0A	66.0W	79.2W	○	○	○
	VS100B-5	5V	20.0A	24.0A	100.0W	120.0W	○	○	○
	VS100B-12	12V	8.5A	10.2A	102.0W	122.4W	○	○	○
	VS100B-15	15V	7.0A	8.4A	105.0W	126.0W	○	○	○
	VS100B-24	24V	4.3A	5.16A	103.2W	123.84W	○	○	○
VS150B	VS150B-3	3.3V	30.0A	36.0A	99.0W	118.8W	○	○	○
	VS150B-5	5V	30.0A	36.0A	150.0W	180.0W	○	○	○
	VS150B-12	12V	12.5A	15.0A	150.0W	180.0W	○	○	○
	VS150B-15	15V	10.0A	12.0A	150.0W	180.0W	○	○	○
	VS150B-24	24V	6.3A	7.56A	151.2W	181.44W	○	○	○

Note 1: Duration at peak current: 10 seconds max. (Duty: 0.35 max.)
 ● Based on the data under normal installation. Needs output derating according to installation method or ambient temperature condition.
 ● For VS150B, based on the data with forced air cooling (0.7m/s). Needs output derating according to installation method or ambient temperature, or at convection air cooling.

○ : Safety standard approved

PC Board Type Power Supply

VS10C

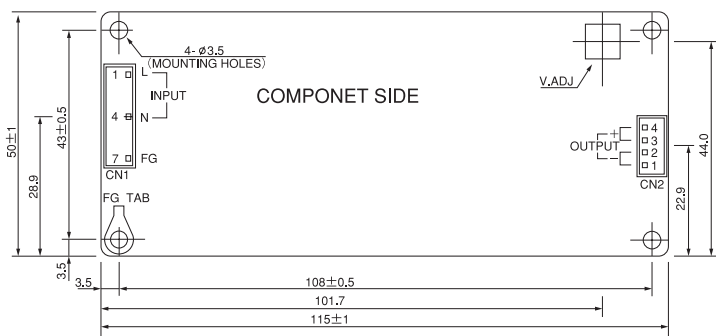
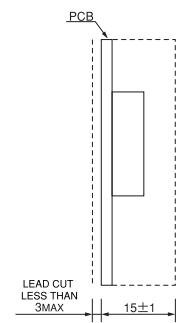


● Recommended Noise Filter
MAW-12R5-22 GO!!
P134

● Recommended Wire harness
P209

(Unit: mm)

VS15C

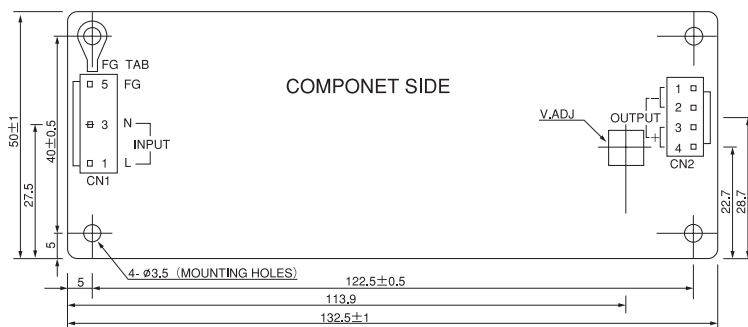
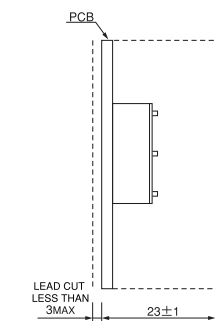


● Recommended Noise Filter
MAW-1201-22 GO!!
P134

● Recommended Wire harness
P209

(Unit: mm)

VS30C



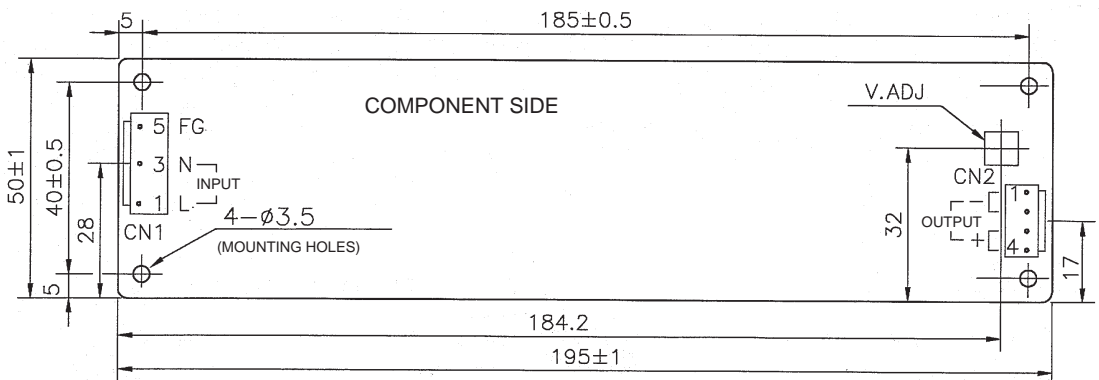
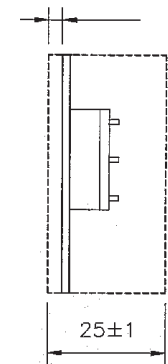
● Recommended Noise Filter
MAW-1201-22 GO!!
P134

● Recommended Wire harness
P209

(Unit: mm)

VS50B

LEAD CUT LESS THAN 3MAX



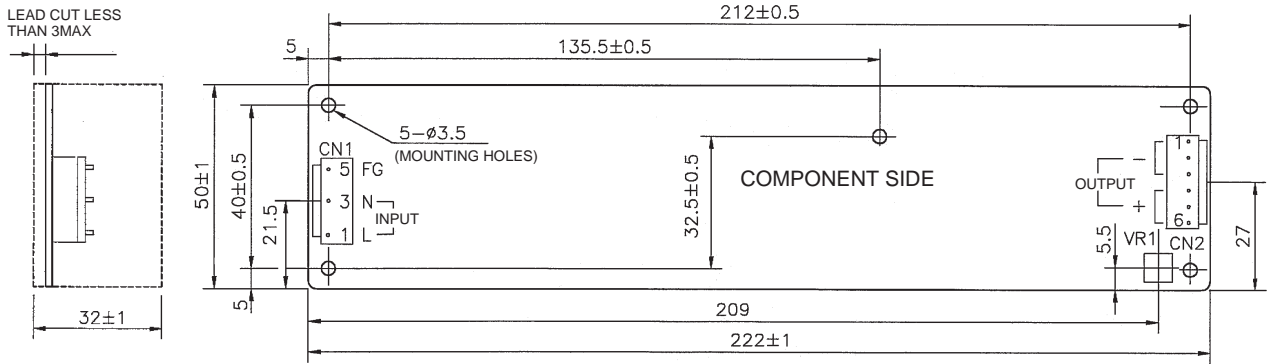
Height: 25mm
Height also includes 3mm of parts lead length for PC board soldering surface.

● Recommended Noise Filter
MAW-1202-22 GO!!
P134

● Recommended Wire harness
P209

(Unit: mm)

■ VS75B



Height: 32mm
Height also includes 3mm of parts lead length for PC board soldering surface.

● Recommended Noise Filter

MAW-1203-22



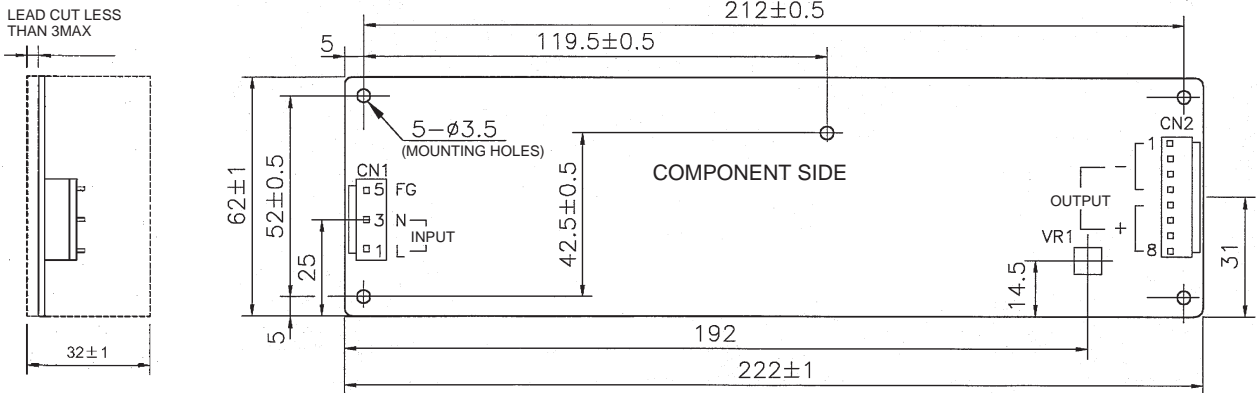
GO!!
P134

● Recommended Wire harness

P209

(Unit: mm)

■ VS100B



Height: 32mm
Height also includes 3mm of parts lead length for PC board soldering surface.

● Recommended Noise Filter

MAW-1205-22



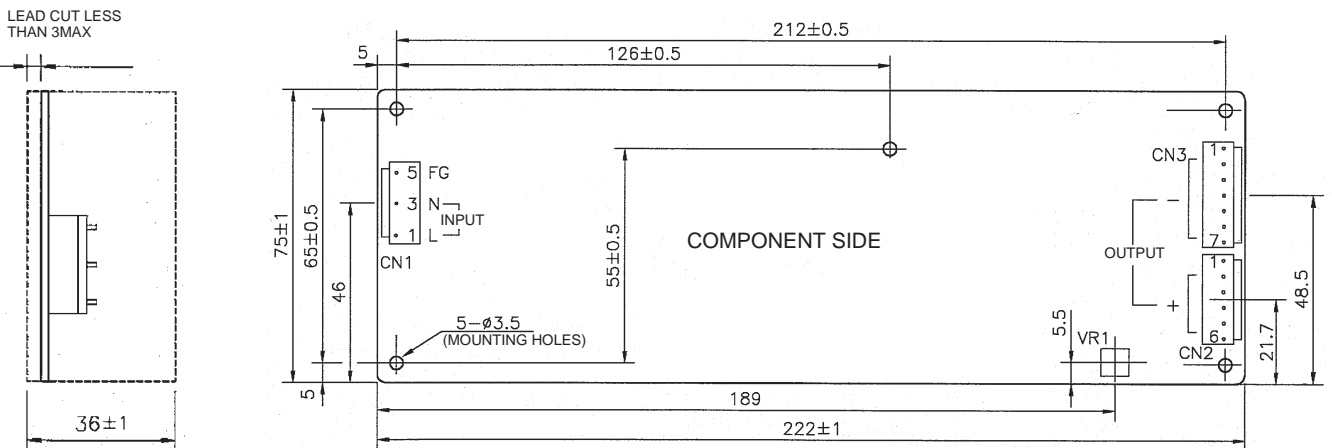
GO!!
P134

● Recommended Wire harness

P209

(Unit: mm)

■ VS150B



Height: 36mm
Height also includes 3mm of parts lead length for PC board soldering surface.

● Recommended Noise Filter

MAW-1205-22



GO!!
P134

● Recommended Wire harness

P209

(Unit: mm)