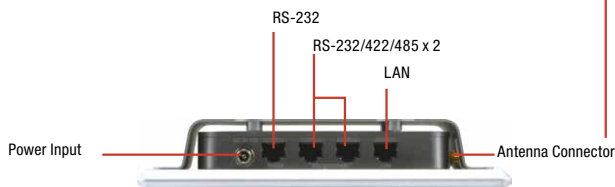
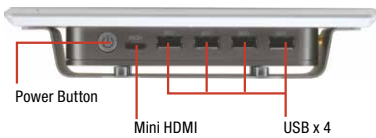


7" Ultra-Slim Fanless Multi-Touch Panel PC with Intel® Atom™ N2600, 2 GB RAM



## Features

- 7" WSVGA (1024 x 600) Color TFT LCD Display
- Intel® Atom™ N2600 Processor
- Wide Flatscreen with Projected Capacitive Multi-Touch (2-point)
- 7H Anti-Scratch Surface
- Thickness: 13mm LCD + Touch, and 20mm Chassis
- Aluminum Design
- IP65 Compliant
- Fanless Operation
- VESA 75 stand Support



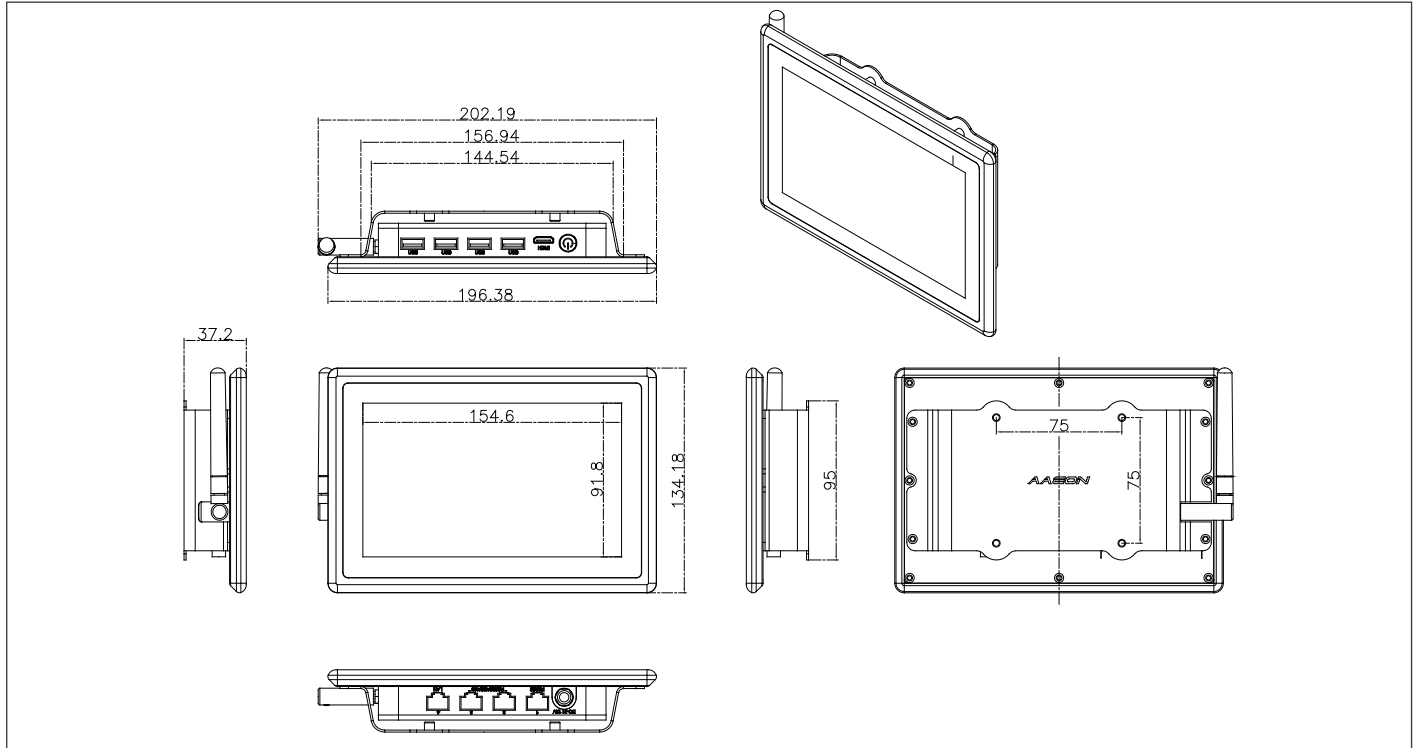
## Specifications

System	
Processor	Intel® Atom™ N2600 1.6 GHz processor
System Memory	204-pin DDR3 SODIMM up to 2 GB, default 2 GB
LCD/CRT controller	Intel® NM10 integrated graphics
Ethernet	10/100/1000Base-TX, RJ-45 x 1
I/O Port	RJ-48 type RS-232/422/485 x 2 RJ-48 type RS-232 x 1, USB 2.0 x 4, Mini HDMI x 1, RJ-45 type LAN x 1, Lockable power input connector, power switch x 1
Storage Disk Drive	Half-size mSATA storage (installation by AAEON recommended)
Expansion Slot	WiFi (by module)
OS support	Windows® XP 32-bit, Windows® 7 32-bit, Linux kernel 2.6.3 or higher
Mechanical	
Construction	IP65/NEMA 4 aluminum front bezel, aluminum back chassis
Mounting	VESA 75 stand/ Panel mount
Dimension	7.96" x 5.28" x 1.46" (202.19mm x 134.18mm x 37.2mm)
Carton Dimension	13.58" x 7.87" x 9.65" (345mm x 200mm x 245mm)
Gross Weight	5.5 lb (2.5 kg)
Environmental	
Operating Temperature	32°F ~ 113°F (0°C ~ 45°C) without airflow 32°F ~ 122°F (0°C ~ 50°C) with airflow
Storage Temperature	-4°F ~ 158°F (-20°C ~ 70°C)
Storage Humidity	95% @40°C, non-condensing
Vibration	1 Grms/ 5~ 500Hz/ operation – with HDD
Shock	15 G peak acceleration (11 msec. duration) – with HDD
EMC	CE/FCC class A
Power Supply	
DC Input	DC12V, with lockable power adapter
LCD	
Display Type	7" TFT-LCD, LED
Max. Resolution	1024 x 600
Max. Colors	26M colors (6/8-bit for R,G,B)
Luminance	250 cd/m <sup>2</sup>
Viewing Angle	150°(H), 145°(V)
Back Light	LED
Back Light MTBF (hours)	20,000
Touchscreen	
Type	Projected capacitive multi-touch (2-point)
Light Transmission	90%

# ACP-1073

## Dimension

Unit: mm



## Ordering Information

Part Number	Display Type	Max. Resolution	Luminance	Backlight MTBF	CPU	LAN	USB 2.0	RS-232	RS-232/422/485	Storage	RAM	Display	Expansion	Mounting	Power	Temp.	Touch
ACP-1073HTT-A1-1010	7" TFT-LCD	1024 x 600	250 cd/m <sup>2</sup>	20,000	Intel® Atom™ N2600, 1.6 GHz	1	4	1	2	Half size mSATA HDD	2 GB	Mini HDMI x 1	—	VESA 75 stand	DC 12V	0°C ~ 45°C (w/o airflow)	Projective capacitive multi-touch (2-point)
ACP-1073HTT-A2-1010	7" TFT-LCD	1024 x 600	250 cd/m <sup>2</sup>	20,000	Intel® Atom™ N2600, 1.6 GHz	1	4	1	2	Half size mSATA HDD	2 GB	Mini HDMI x 1	WiFi	VESA 75 stand	DC 12V	0°C ~ 45°C (w/o airflow)	Projective capacitive multi-touch (2-point)

## Packing List

- **1255300607**  
Power Adapter, DC12V, 60W
- **9741107300**  
Panel Mount Kit
- **1700090156**  
RJ-45 to COM Cable x 3
- **M041073000**  
VESA Mount Kit
- **VESA Screws**
- **Product DVD**
- **ACP-1073**

## Optional Accessories

- **1702031802**  
Power Cord (US Type)
- **1702031803**  
Power Cord (European Type)

- **M041073020**  
Stand Kit

## Half Size mSATA Storage Device

- **968C008G0G**  
(TF)Half-sized, 8 GB, mSATA SSD, MLC, -40°C ~ +85°C
  - **968C016G3G**  
(TF)Half-sized, 16 GB, mSATA SSD, MLC, -40°C ~ +85°C
  - **968C016G1U**  
(TF)Half-sized, 16 GB, mSATA SSD, MLC, -40°C ~ +85°C
  - **968C032G37**  
(TF)Half-sized, 32 GB, mSATA SSD, MLC, -40°C ~ +85°C
  - **968C032G0L**  
(TF)Half-sized, 32 GB, mSATA SSD, MLC, -40°C ~ +85°C
  - **968C064G1E**  
(TF)Half-sized, 64 GB, mSATA SSD, MLC, -40°C ~ +85°C
  - **968C128G1H**  
(TF)Half-sized, 128 GB, mSATA SSD, MLC, -40°C ~ +85°C
- Note : AAEON factory-installed mSATA HDD is strongly recommended.**