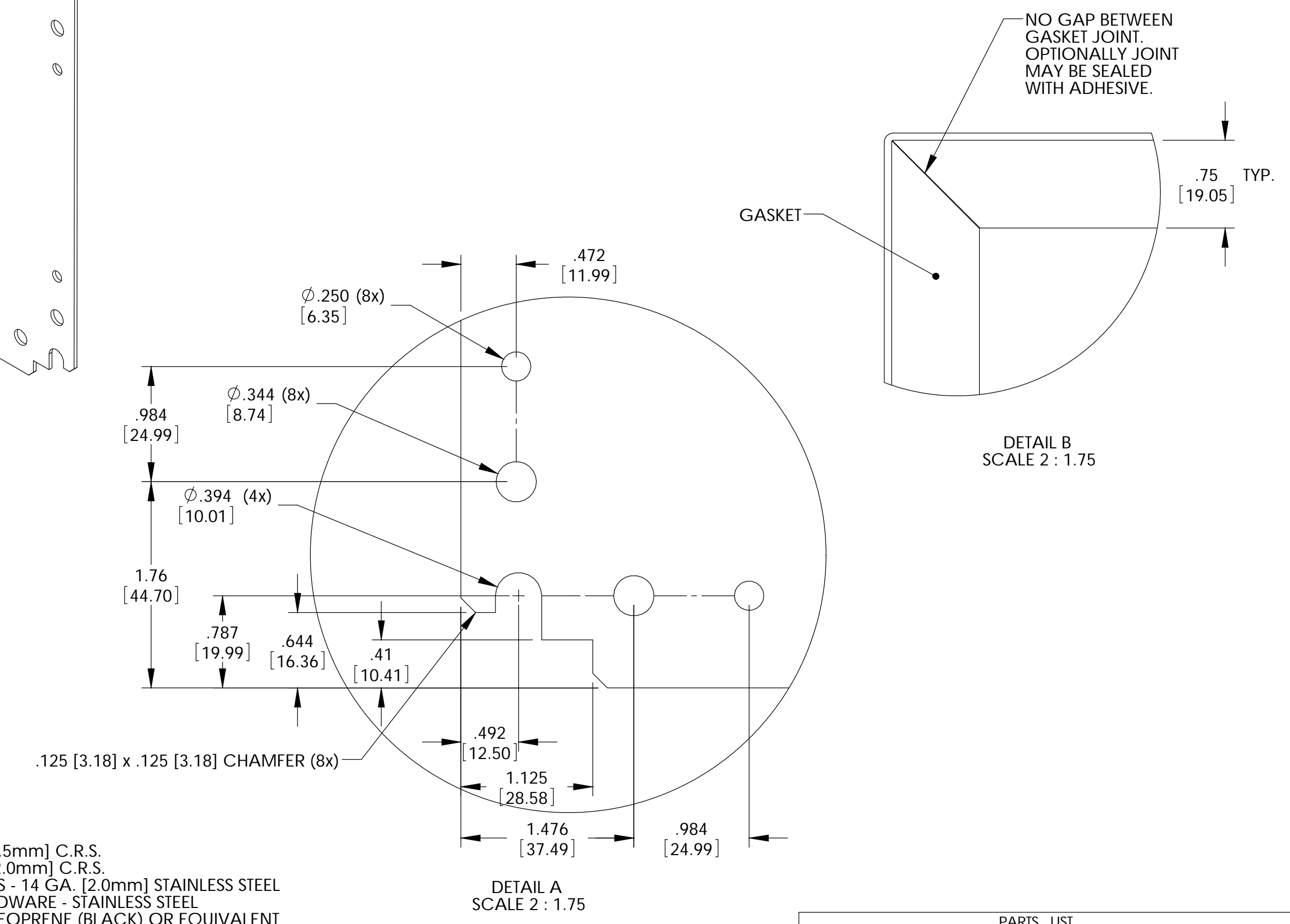
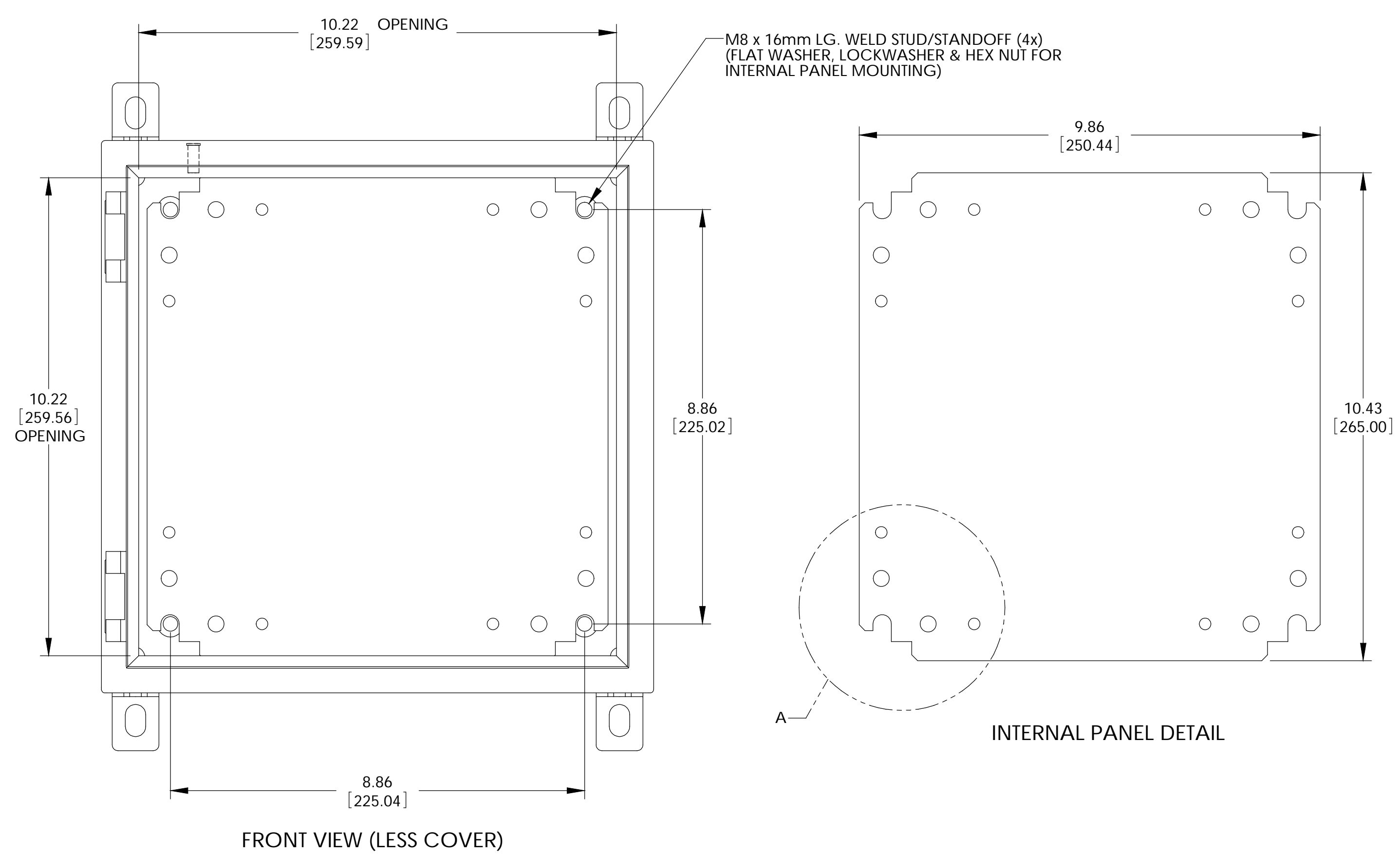
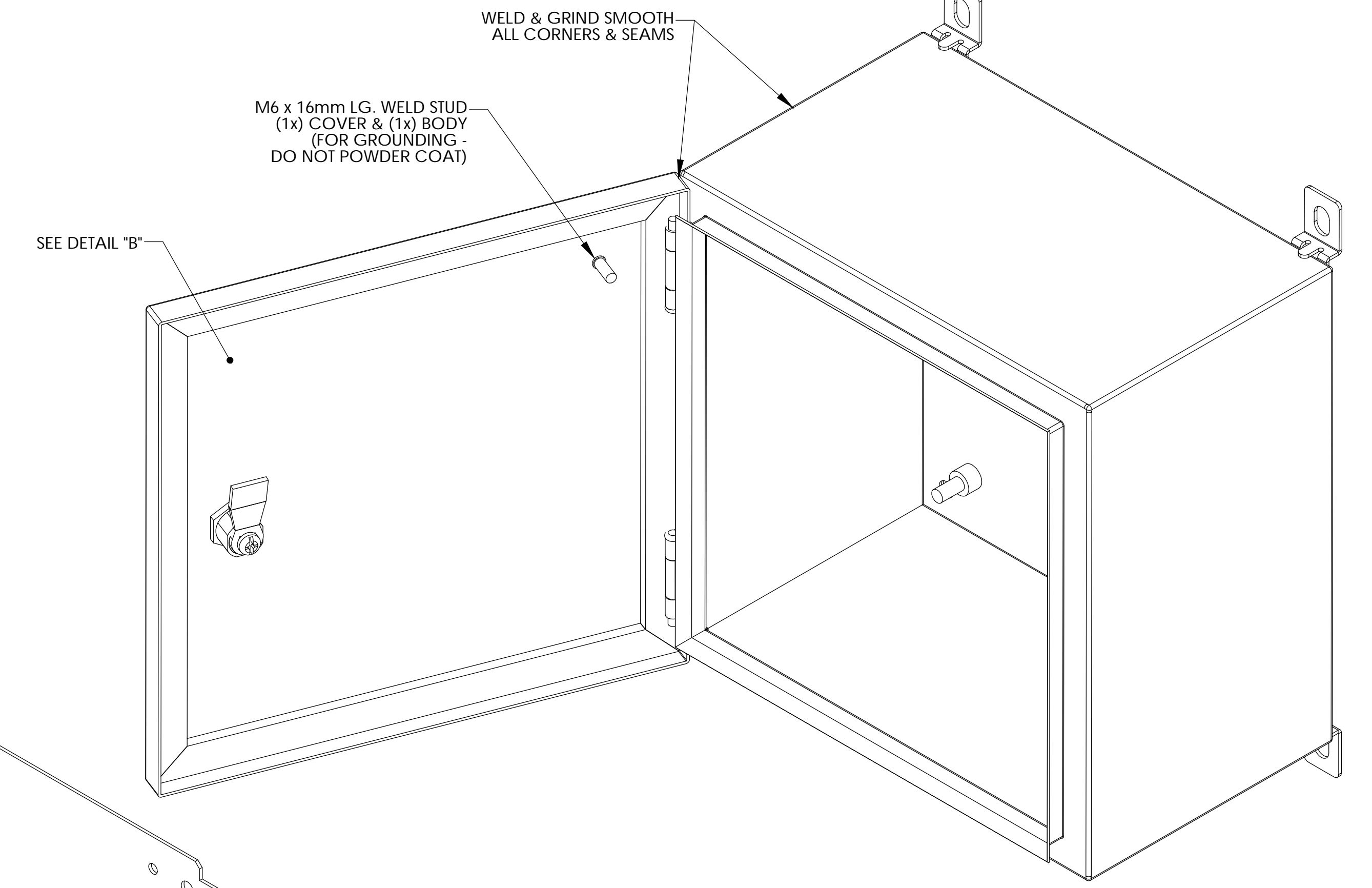
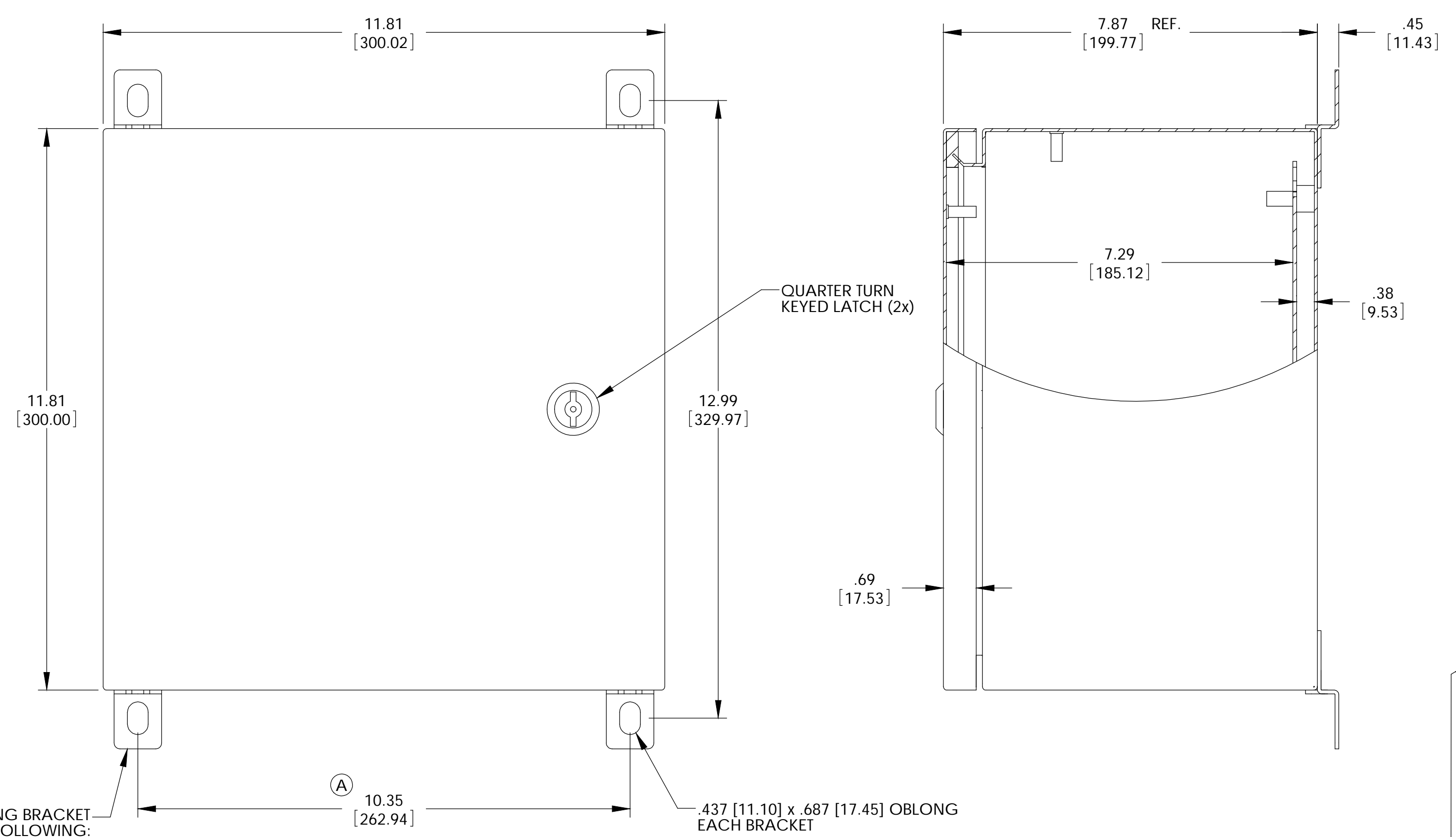


THE INFORMATION CONTAINED IN THIS DRAWING IS THE SOLE PROPERTY OF BUD INDUSTRIES INC. ANY REPRODUCTION IN PART OR WHOLE WITHOUT THE WRITTEN PERMISSION OF BUD INDUSTRIES INC. IS PROHIBITED.

DWG. NO.	SNB-3734
ISSUE	REVISIONS
(A)	PER ECN #10446 1-13-09 BT



MATERIAL:
BODY & COVER - 16 GA. [1.5mm] C.R.S.
INTERNAL PANEL - 14 GA. [2.0mm] C.R.S.
WALL MOUNTING BRACKETS - 14 GA. [2.0mm] STAINLESS STEEL
HINGE PINS, STRIKER & HARDWARE - STAINLESS STEEL
GASKET - .25 [6.35] THICK NEOPRENE (BLACK) OR EQUIVALENT
SEALING WASHERS - BLACK NEOPRENE OR EQUIVALENT

FINISH:
BODY & COVER - LIGHT GRAY SMOOTH POWDER COAT
INTERNAL PANEL - ZINC CHROMATE
WALL MOUNTING BRACKETS, HINGE PINS, STRIKER - NATURAL

PARTS LIST		BUD INDUSTRIES INC.	
UNLESS OTHERWISE SPECIFIED ALL DIMENSIONS ARE IN INCHES (MILLIMETERS)	CAD GENERATED DRAWING DO NOT MANUALLY UPDATE	DATE	9-21-07
DESIGNED BY	APPROVED BY	DRAWN BY	DAB
CHECKED BY	DATE	DATE	9-21-07
MATERIAL AS NOTED		NEMA SHEET METAL BOX	
FINISH AS NOTED	APPROVED	SIZE [DWG. NO.]	SNB-3734
DO NOT SCALE DRAWING	SCALE	[CAD FILE]	1

QTY.	USED ON	DO NOT SCALE DRAWING	SCALE	[CAD FILE]	1
------	---------	----------------------	-------	------------	---