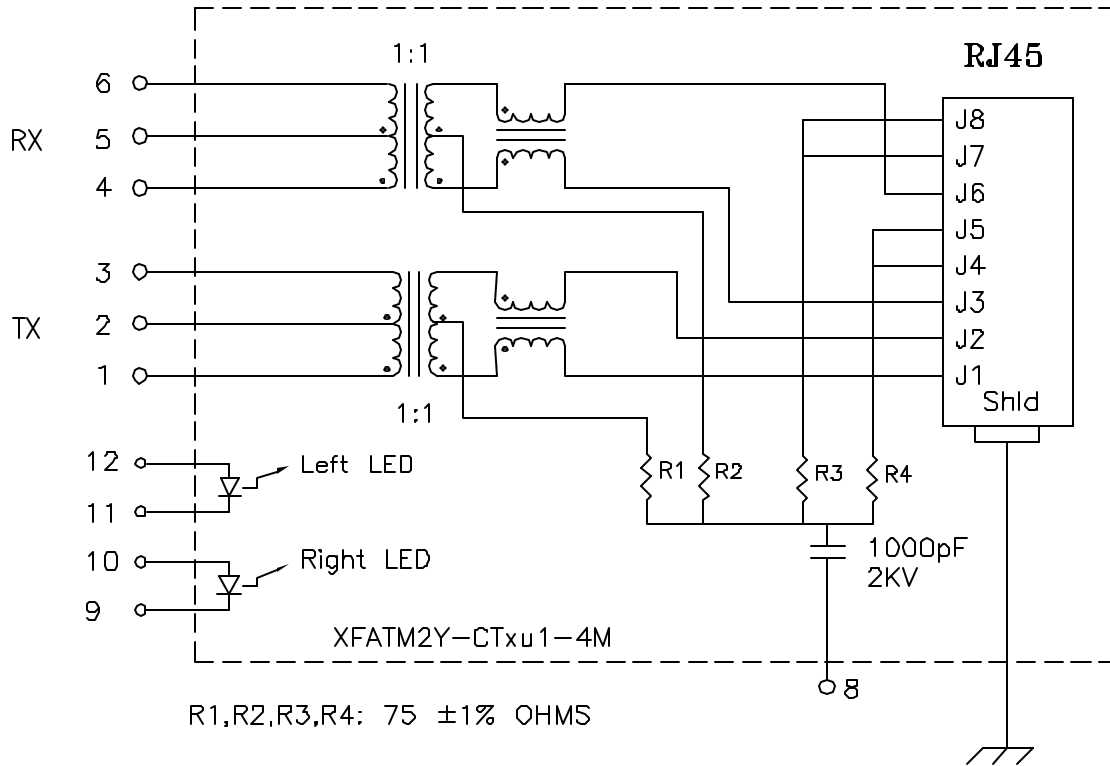


Schematic:



Electrical Specifications: @25°C

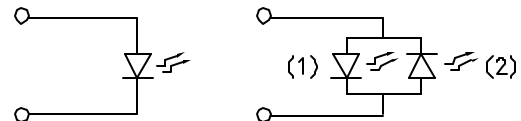
- Isolation Voltage: 1500 Vac
- Isolation Voltage: 500 Vac (1+2+3+4+5+6)
- UTP SIDE DCL: 350uH Min @100KHz 100mV BmADC
- Leakage Inductance: P6-P4 0.3uH Max @1MHz 100mV Short J6 and J3
- Leakage Inductance: P3-P1 0.3uH Max @1MHz 100mV Short J2 and J1
- Cww: (P6, P5, & P4) to (J6 & J3) 30pF Max @1MHz
- Cww: (P3, P2, & P1) to (J2 & J1) 30pF Max @1MHz
- DCR: (J6-J3) = (J2-J1) 1.2 Ohms Max
- Rise Time (10-90%): 2.5ns Typ
- Insertion Loss (100KHz-100MHz): -1.2dB Max
- Return Loss: -18dB Min @1MHz - 30MHz
- Return Loss: -12dB Min @60MHz - 80MHz
- Crosstalk: 30dB Typ @1MHz to 100MHz
- Common Mode to Differential Mode Rejection:
1MHz-100MHz -35dB Typ (Tx) / -35dB Typ (Rx)

Complete the Combo P/N as follows:

Replace 'x' & 'u' in the part number with one of the LED color letters:
 Y=Yellow
 G=Green
 A=Amber
 R=Red
 C=Green(1)/Amber(2) Bicolor
 D=Amber(1)/Green(2) Bicolor
 M=Green(1)/Yellow(2) Bicolor
 N=Yellow(1)/Green(2) Bicolor
 P=Red(1)/Green(2) Bicolor
 Q=Green(1)/Red(2) Bicolor

Single Color LED:

Bi-Color LED:



Notes:

1. Solderability: Leads shall meet MIL-STD-202, Method 208D for solderability.
2. Flammability: UL94V-0
3. ASTM oxygen index: > 28%
4. Insulation System: Class F 155°C. UL file E151556
5. Operating Temperature Range: All listed parameters are to be within tolerance from -40°C to +85°C
6. Storage Temperature Range: -55°C to +125°C
7. Aqueous wash compatible
8. SMD Lead Coplanarity: ±0.004"(0.102mm)
9. Moisture Sensitivity: Level 3
10. Electrical and mechanical specifications 100% tested
11. RoHS Compliant Component

DOC. REV: A/2

XFMRs Inc
www.XFMRs.com

Title:

SINGLE PORT COMBO w/LED

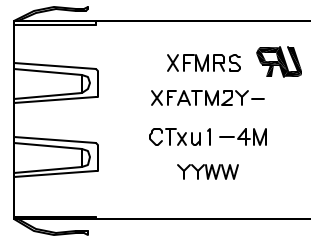
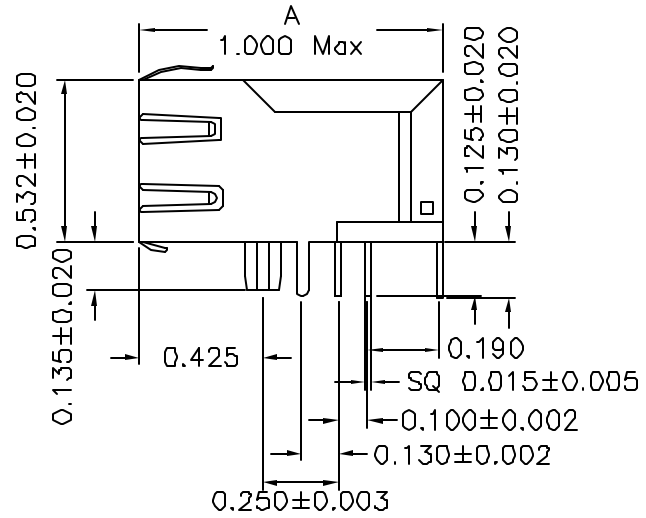
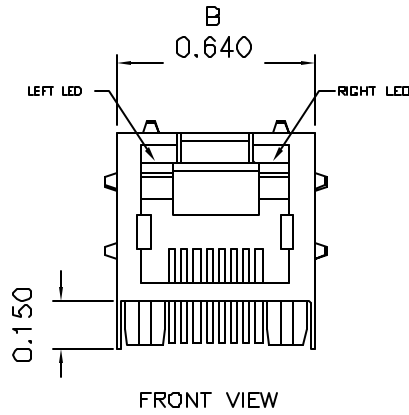
UNLESS OTHERWISE SPECIFIED
 TOLERANCES:
 .xxx ±0.010
 Dimensions in Inch
 SHEET 1 OF 2

P/N:	XFATM2Y-CTxu1-4M	REV. A
DWN.	廖玉坤	Jan-06-05
CHK.	李清儿	Jan-06-05
APP.	J Ng	Jan-06-05

PROPRIETARY:

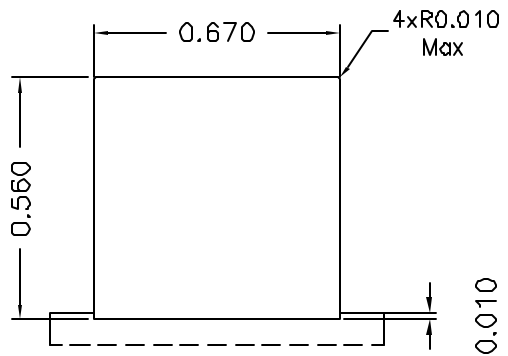
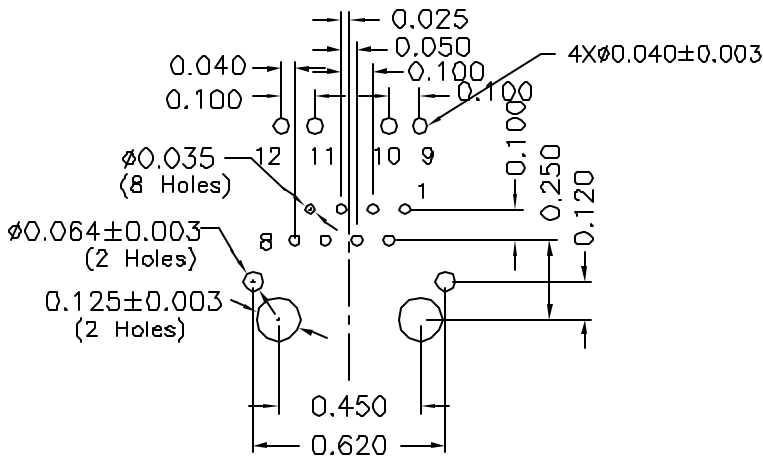
Document is the property of XFMRs Group & is not allowed to be duplicated without authorization.

Mechanical Dimensions:



TOP VIEW

Mounting Pattern:



FACE VIEW
RECOMMENDED PANEL CUTOUT

DOC. REV A/2

XFMR5 Inc www.XFMR5.com	Title: Mechanical Dimensions For TAB UB RJ45 COMBO		
	UNLESS OTHERWISE SPECIFIED TOLERANCES: .xxx ±0.010 Dimensions in Inch	P/N: XFATM2Y-CTxu1-4M	REV. A
	DWN.	李小锋	Jan-06-05
	CHK.	廖玉坤	Jan-06-05
SHEET 2 OF 2	APP.	J Ng	Jan-06-05

PROPRIETARY:

Document is the property of XFMR5 Group & is not allowed to be duplicated without authorization.