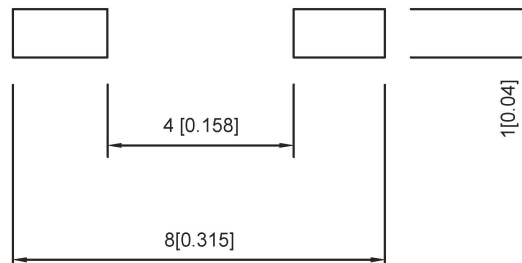
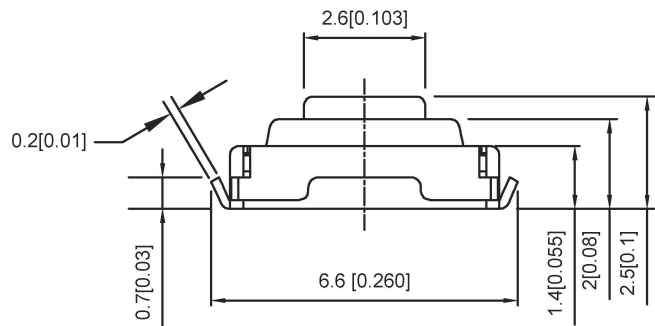


**SPECIFICATION**

Contact Rating: 50mA, 12V DC  
 Contact Resistance: 100mΩ max  
 Insulation Resistance: 100mΩ min. 500V DC  
 Dielectric Strength: 250V AC/1minute  
 Travel: 0.25mm  
 Operating Temp: -30°C~+85°C  
 Storage Temp: -30°C~+80°C

PAPT NO	TS-1101A-X-X
Operating Force	A:100gf B:160gf C:260gf
Height	H:2.5
color	B:black W:white R:Red



ITEM	PAPT NAME	TER.NO	QTY	MATERIAL	FINISHING	REMARK
⑤	Terminal	—	2	Brass (0.30t)	Plating silvering	——
④	Contact	—	1	F.ag/Sus	Natural	——
③	Base	—	1	Lcp		——
②	Cover	—	1	Brass	Plating Nickel	——
①	Keystake	—	1	Pa46		——

广东星坤科技股份有限公司

生效日期

文件工程章

REVISIONS	DATE	REVISED	APPROVED	DESCRIPTION

DSND		DATE		SCALE: N/A	MODEL TYPE: TACT SWITCH
DWN		DATE		VIEW:	PART NO.:
CHKD		DATE		UNIT: mm/in	DWG NO.:
APPD		DATE		SIZE: A4	TS-1101A-X-X
XKB INDUSTRIAL PRECISION CO., LIMITED				WEIGHT	SHEET
UNSPECIFIED TOLERANCES				1.0g	1/1
				REVISION	A0

www.helloxkb.com www.helloxkb.cn